

## 3801015 Series 1 In 8 Out Rotary Union

1 In 8 Out, support 1 inlet G1/2 for 15mm pipe and 8 outlet G1/8 for 8mm pipe

support 1 inlet G1/2 for 15mm pipe and 8 outlet G1/8 for 8mm pipes, can transfer various mediums including compressed air, steam, vacuum, negative pressure, positive pressure, cooling water, hot oil, etc when 360° rotating, it also can combine to transmit electrical power and signal.

### Part No. Description

1 Passage Rotary Unions  
1 In 8 Out Rotary Union  
1 Inlet (15mm Pipe, G 1/2" Port)  
8 Outlet (8mm Pipe, G1/8" Port)

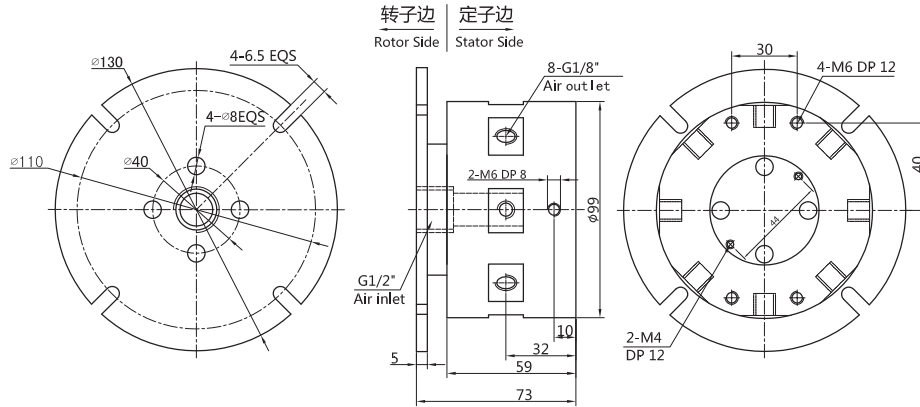
### 3801015 - Power Circuits - Signal Circuits

For example:

06S:6 circuits signal@2A  
12S:12 circuits signal@2A

For example:

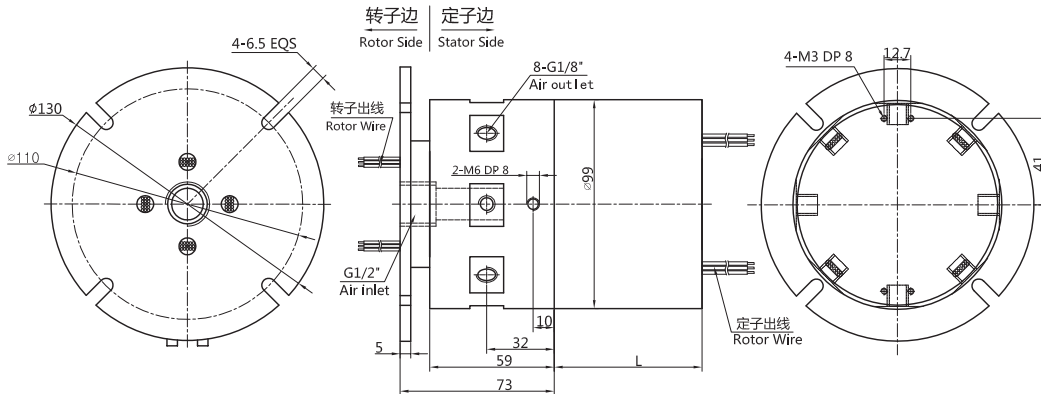
0610:6 circuits@10A 1230:12 circuits@30A



### Standard Model List

Model	Passages(Gas/Flow)	Port Size	Pipe Size
3801015	1 In 8 Out	1 Inlet (G 1/2" Port) 8 Outlet (G1/8" Port)	1 Inlet (15mm Pipe) 8 Outlet (8mm Pipe)

3801015-X4S 1 Passage(Inlet 15mm,Outlet 8mm)  
+2~96 circuits electrical signal@2A (Suitable for Solenoid valve or Sensor switch Signals)



### Standard Model List

Model	Passages	Circuits		Length L(mm)
		Power(10A)	Signal(0~5A)	
3801015-02S	1 In 8 Out	0	2	32
3801015-0210	1 In 8 Out	2	0	32
3801015-03S	1 In 8 Out	0	3	36
3801015-0310	1 In 8 Out	3	0	36
3801015-06S	1 In 8 Out	0	6	48
3801015-0210-04S	1 In 8 Out	2	4	48
3801015-0410-02S	1 In 8 Out	4	2	48
3801015-0610	1 In 8 Out	6	0	48
3801015-12S	1 In 8 Out	0	12	72
3801015-0210-10S	1 In 8 Out	2	10	72
3801015-0310-09S	1 In 8 Out	3	9	72

Model	Passages	Circuits		Length L(mm)
		Power(10A)	Signal(0~5A)	
3801015-0610-06S	1 In 8 Out	6	6	72
3801015-0810-04S	1 In 8 Out	8	4	72
3801015-1010-02S	1 In 8 Out	10	2	72
3801015-1210-12S	1 In 8 Out	12	12	120
3801015-1810-06S	1 In 8 Out	18	6	120
3801015-2410	1 In 8 Out	24	0	120
3801015-30S	1 In 8 Out	0	30	144
3801015-0610-24S	1 In 8 Out	6	24	144
3801015-1210-18S	1 In 8 Out	12	18	144
3801015-1810-12S	1 In 8 Out	18	12	144
3801015-2410-06S	1 In 8 Out	24	6	144
3801015-3010	1 In 8 Out	30	0	144
3801015-36S	1 In 8 Out	0	36	168
3801015-0610-30S	1 In 8 Out	6	30	168
3801015-1210-24S	1 In 8 Out	12	24	168
3801015-3610	1 In 8 Out	36	0	168
3801015-42S	1 In 8 Out	0	42	192
3801015-1210	1 In 8 Out	12	0	72
3801015-18S	1 In 8 Out	0	18	96
3801015-0210-16S	1 In 8 Out	2	16	96
3801015-0410-14S	1 In 8 Out	4	14	96
3801015-0610-12S	1 In 8 Out	6	12	96
3801015-0810-10S	1 In 8 Out	8	10	96
3801015-1010-08S	1 In 8 Out	10	8	96
3801015-1210-06S	1 In 8 Out	12	6	96
3801015-1410-04S	1 In 8 Out	14	4	96
3801015-1610-02S	1 In 8 Out	16	2	96
3801015-24S	1 In 8 Out	0	24	120
3801015-0410-20S	1 In 8 Out	4	20	120
3801015-0610-18S	1 In 8 Out	6	18	120
3801015-0610-36S	1 In 8 Out	6	36	192
3801015-1210-30S	1 In 8 Out	12	30	192
3801015-48S	1 In 8 Out	0	48	216
3801015-0610-42S	1 In 8 Out	6	42	216
3801015-1010-38S	1 In 8 Out	10	38	216
3801015-1210-36S	1 In 8 Out	12	36	216
3801015-1810-30S	1 In 8 Out	18	30	216
3801015-2410-24S	1 In 8 Out	24	24	216
3801015-60S	1 In 8 Out	0	60	264
3801015-0610-54S	1 In 8 Out	6	54	264
3801015-1010-50S	1 In 8 Out	10	50	264
3801015-72S	1 In 8 Out	0	72	312
3801015-96S	1 In 8 Out	0	96	408

## Technical Specification

Rotary Union Specification				
Passages	1 In 8 Out	Max. Operating Pressure	Positive Pressure 10Mpa, Vacuum -1.5kPa	
Pipe size	1 Inlet (15mm Pipe,G 1/2" Port) 8 Outlet (8mm Pipe,G1/8" Port)	torque	<0.35N.m	
Mechanical parameters		Electrical parameters		
spec.	data	Spec.	Data	
Working Life	20millions for ref(depends on working conditions)		Power	Signal
Max. Operating Speed	250RPM continuously, 1000RPM intermittently	Voltage Range	0~440VAC/VDC	0~440VAC/VDC
Working Temp.	-30°C~80°C	Insulation Resistance	<500MΩ/300VDC	<500MΩ/300VDC
Work Humidity	0~85% RH	Lead Wire Spec.	AWG17# Silver-plated teflon wire	AWG22# Silver-plated teflon wire
Contact Material	precious metal	Lead Wire Length	standard 250mm(can be customized)	
Housing Material	aluminum alloy	Insulation Resistance	500VAC@50Hz,6s	
IP Grade	IP51	Electrical Noise	<0.01Ω	

## Color Code of Lead Wire

ring #	1	2	3	4	5	6	7	8	9	10	11	12
color	BLK	BRN	RED	ORG	YEL	GRN	BLU	PUR	GRY	WHT	PINK	LGT BLU