

3302006 Series Two Passage Hollow Shaft Rotary Unions (with center hole 30mm)



2 Passage(G1/8" port,6~8mm pipes)+Electrical(Power/Signal)

support G1/8" port for 6~8mm pipes,can transfer various mediums including compressed air,steam,vacuum,negative pressure,positive pressure,cooling water,hot oil,etc when 360° rotating , it also can combine to transmit electrical power and signal.

Part No. Description

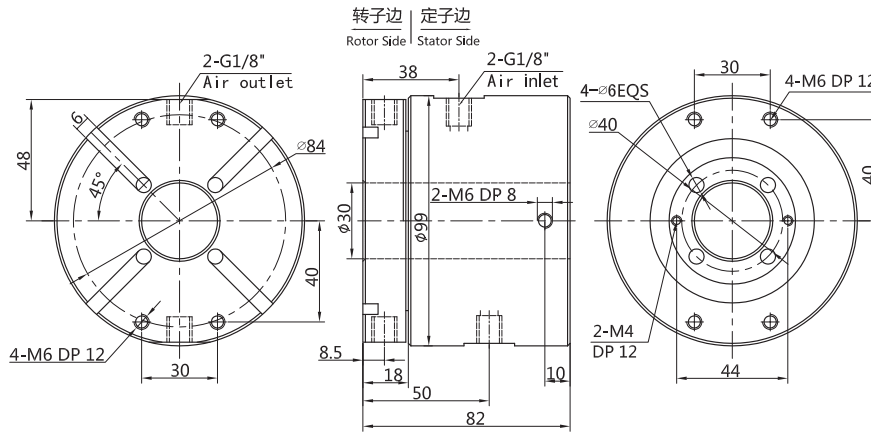
3302006 - Power Circuits - Signal Circuits

2 Passage Rotary Unions
G1/8" port ,6mm pipes

For example:
0610:6 circuits@10A 1230:12 circuits@30A

For example:
06S:6 circuits signal@2A
12S:12 circuits signal@2A

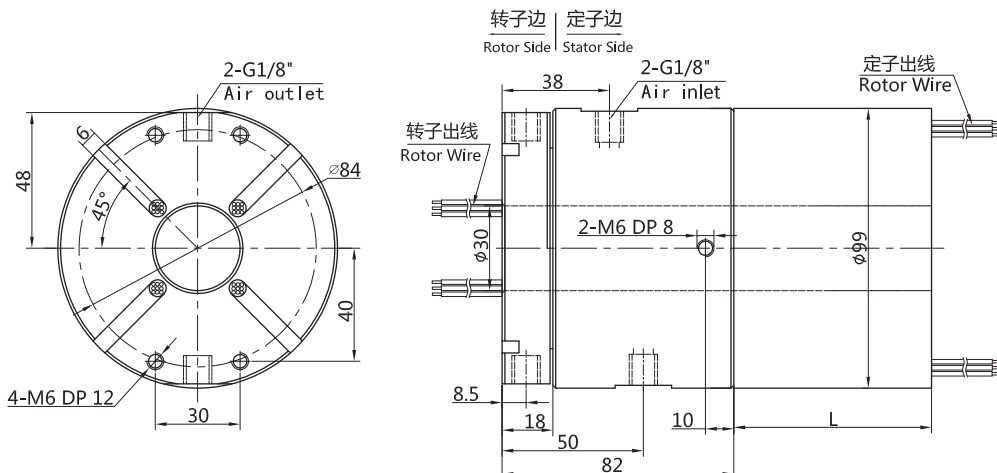
3302006 (Rotary Union Only) Drawing,2 Passage(6~8mm pipe)



Standard Model List

Model	Passages(Gas/Flow)	Port Size	Pipe Size
3302006	2	G1/8"	6~8mm

3302006-X3AX4S 2 Passage(6~8mm pipe)+electrical power/signal(5A, 10A option)



Standard Model List

Model	Passages	Port Size	Pipe Size	Circuits		Length L(mm)
				Power(10A)	Signal(2A)	
3302006-06S	2	G1/8"	6~8mm	0	6	48
3302006-0610	2	G1/8"	6~8mm	6	0	48
3302006-12S	2	G1/8"	6~8mm	0	12	72
3302006-0610-06S	2	G1/8"	6~8mm	6	6	72
3302006-1210	2	G1/8"	6~8mm	12	0	72
3302006-0610-12S	2	G1/8"	6~8mm	6	12	96
3302006-1210-06S	2	G1/8"	6~8mm	12	6	96
3302006-18S	2	G1/8"	6~8mm	0	18	96
3302006-1810	2	G1/8"	6~8mm	18	0	96
3302006-0610-18S	2	G1/8"	6~8mm	6	18	120
3302006-24S	2	G1/8"	6~8mm	0	24	120
3302006-2410	2	G1/8"	6~8mm	24	0	120
3302006-36S	2	G1/8"	6~8mm	0	36	168
3302006-1210-24S	2	G1/8"	6~8mm	12	24	168
3302006-3610	2	G1/8"	6~8mm	36	0	168
3302006-48S	2	G1/8"	6~8mm	0	48	216
3302006-1210-36S	2	G1/8"	6~8mm	12	36	216
3302006-4810	2	G1/8"	6~8mm	48	0	216
3302006-60S	2	G1/8"	6~8mm	0	60	264
3302006-1210-48S	2	G1/8"	6~8mm	12	48	264
3302006-72S	2	G1/8"	6~8mm	0	72	312
3302006-2410-48S	2	G1/8"	6~8mm	24	48	312
3302006-84S	2	G1/8"	6~8mm	0	84	360
3302006-2410-60S	2	G1/8"	6~8mm	20	60	360
3302006-96S	2	G1/8"	6~8mm	0	96	408
3302006-108S	2	G1/8"	6~8mm	0	108	456
3302006-120S	2	G1/8"	6~8mm	0	120	504

Technical Specification

Rotary Union Specification			
Passages	2 Passage	Max. Pressure	1Mpa, Vacuum -1.5kPa
Pipe size	6~8mm Pipe(G1/8")	torque	<0.2N.m
Mechanical parameters		Electrical parameters	
Spec.	Data	Spec.	Data
Working Life	20millions for ref (depends on working conditions)	Voltage Range	0~440VAC/VDC 0~440VAC/VDC
		Insulation Resistance	<500MΩ/300VDC <500MΩ/300VDC
Max. Speed	250RPM continously, 1000RPM intermittently	Lead Wire Spec.	AWG17# Silver-plated teflon wire AWG22# Silver-plated teflon wire
Working Temp.	-30°C~80°C	Lead Wire Length	standard 250mm(can be customized)
Work Humidity	0~85% RH	Insulation Resistance	500VAC@50Hz,6s
Contact Material	precious metal	Electrical Noise	<0.01Ω
Housing Material	aluminum alloy		
IP Grade	IP51		

Color Code of Lead Wire

ring #	1	2	3	4	5	6	7	8	9	10	11	12
color	BLK	BRN	RED	ORG	YEL	GRN	BLU	PUR	GRY	WHT	PINK	LGT BLU