

G series high speed slip ring

Senring's high speed slip rings, Connections are made through color coded solder terminals located on both the slip ring rotor and stator. Permanently lubricated bearing eliminate the need for routine cleaning and maintenance. The high speed electrical slip ring's weight and compact design of these slip ring assemblies make them ideal for use in applications where space is limited.



Features

- Color coded terminals
- Compact structure, lightweight
- Permanently lubricated bearing
- Rugged AL alloy, stainless steel housing material
- High quality ring and brush

Photos of Some Products



Model List

Model	Max current	Circuits	Max current	ID(mm)	OD(mm)
G2056	1500	6~12 circuits	0~10A	20	56
G012-12	5000	12 circuits	0~5A	12.7	56
G038-12	5000	12 circuits	0~5A	38.1	99
G000	12000	4~10 circuits	0~0.5A	solid	31

Color Code of Lead Wire

ring #	1	2	3	4	5	6	7	8	9	10	11	12
color	BLK	BRN	RED	ORG	YEL	GRN	BLU	PUR	GRY	WHT	PINK	LGT BLU
ring#	13	14	15	16	17	18	19	20	21	22	23	24
color	WHT/BLK	WHT/BRN	WHT/RED	WHT/ORG	WHT/YEL	WHT/GRN	WHT/BLU	WHT/PUR	WHT/GRY	BLK/RED	BLK/BRN	Transparent

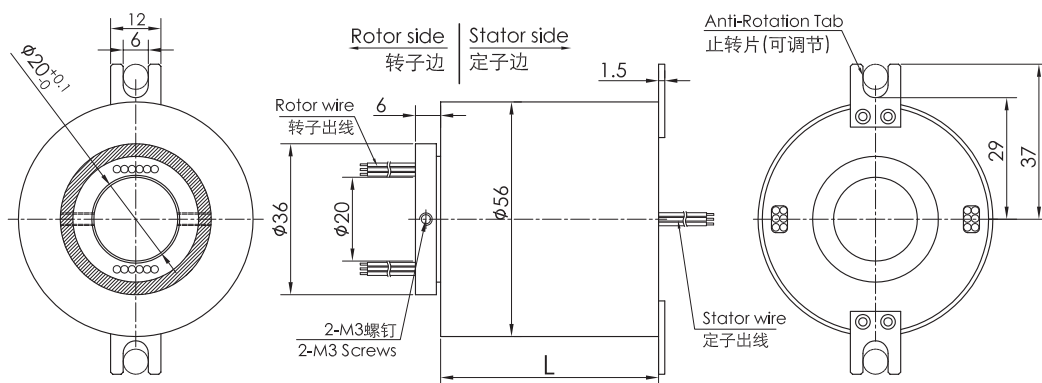
Remark: "1" : the first wire from rotor side , G2056-0610 wire color sequence:BLK/BRN/RED/ORG/YEL /GRN , 24 color wires as one group , if more than 24wires, repeat as sequence , use number tube to tell group 1#, 2#....



G2056 series High Speed slip ring

Max speed 1500RPM, hole size ranges from 0~20mm, 6~12 circuits 10A current.

SenRing G2056 series High Speed slip ring, hole size 20mm, OD 56mm, max speed 1500RPM. Developed specially for high speed rotation equipment. With patented technology, Germany imports key materials ensure high wear-resistant and conductive compare the traditional slip ring



Model List

Model	circuits(10A)	Length L(mm)
G2056-06	6 circuits	34
G2056-12	12 circuits	52

Technical Specification of the slip ring

Mechanical Data		Electrical Data	
spec	data	spec	data
Rotating speed	1500RPM	voltage range	0~440VAC/VDC
working temp.	-30℃~80℃	insulation resistance	≥ 1000MΩ/500VDC
working temp.	0~85%RH	lead wire spec.	AWG17#UL Teflon
contact material	refer to slip ring grade table	lead wire length	standard 300mm (can be customized)
housing material	aluminum alloy	Dielectric Strength	800VAC@50Hz,60s
torque	0.05N.m;+0.02N.m/6 circuits	Electrical noise	<0.01Ω
IP grade	IP51	certificate	ROHS,CE

Color Code of Lead Wire

ring #	1	2	3	4	5	6	7	8	9	10	11	12
color	BLK	BRN	RED	ORG	YEL	GRN	BLU	PUR	GRY	WHT	PINK	LGT BLU
ring#	13	14	15	16	17	18	19	20	21	22	23	24
color	WHT/BLK	WHT/BRN	WHT/RED	WHT/ORG	WHT/YEL	WHT/GRN	WHT/BLU	WHT/PUR	WHT/GRY	BLK/RED	BLK/BRN	Transparent

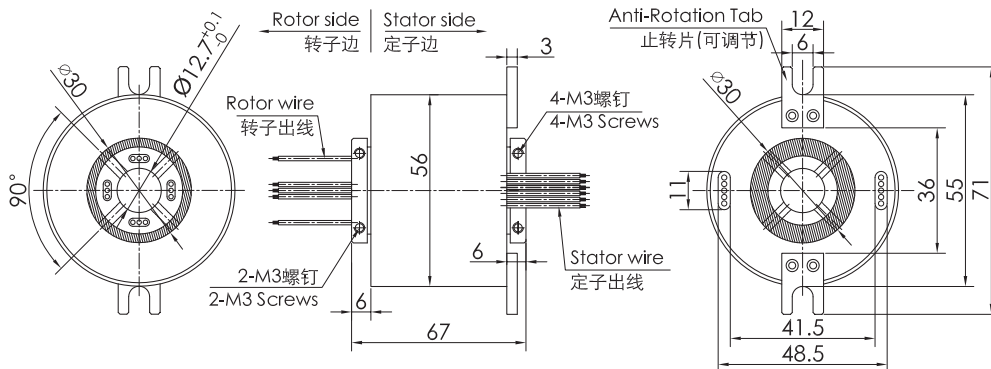
Remark: "1" : the first wire from rotor side , G2056-06 wire color sequence:BLK/BRN/RED/ORG/YEL /GRN , 24 color wires as one group , if more than 24wires, repeat as sequence , use number tube to tell group 1#, 2#....



G012-12 series Super High Speed slip ring

Hole size 12.7mm, 12 circuits 5A power

SenRing G012-12 series High Speed, a kind of Hollow Shaft slip ring. With hole size 12.7mm, OD 56mm, integrated structure, light weight, high IP grade. Adopt the same materials for aero-engines (such as high temperature alloys and composites material), which can make sure the slip ring rotating continuously at high speed without cooling. Mainly applied in lab and any testing equipments to transmit power and kinds of signals when high speed rotating.



Technical Specification of the slip ring

Mechanical Data		Electrical Data	
spec	data	spec	data
Rotating speed	5000RPM	voltage range	0~440VAC/VDC
working temp.	-30℃~80℃	insulation resistance	$\geq 1000M\Omega/500VDC$
working temp.	0~85%RH	lead wire spec.	AWG22#UL Teflon
contact material	refer to slip ring grade table	lead wire length	standard 300mm (can be customized)
housing material	aluminum alloy	Dielectric Strength	800VAC@50Hz, 60s
torque	0.05N.m; +0.02N.m/6 circuits	Electrical noise	<0.01 Ω
IP grade	IP51	certificate	ROHS, CE

Color Code of Lead Wire

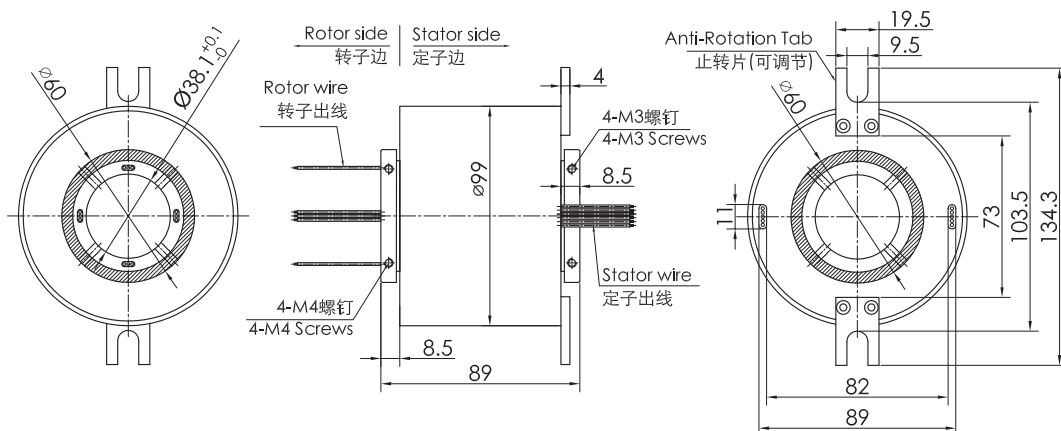
ring #	1	2	3	4	5	6	7	8	9	10	11	12
color	BLK	BRN	RED	ORG	YEL	GRN	BLU	PUR	GRY	WHT	PINK	LGT BLU
ring#	13	14	15	16	17	18	19	20	21	22	23	24
color	WHT/BLK	WHT/BRN	WHT/RED	WHT/ORG	WHT/YEL	WHT/GRN	WHT/BLU	WHT/PUR	WHT/GRY	BLK/RED	BLK/BRN	Transparent

Remark: "1" : the first wire from rotor side, G012-12 wire color sequence: BLK/BRN/RED/ORG/YEL /GRN/BLU/PUR/GRY/WHT/PINK/LGT BLU, 24 color wires as one group, if more than 24 wires, repeat as sequence, use number tube to tell group 1#, 2#....

G038-12 series Super High Speed slip ring

Hole size 38.1mm, 12 circuits 5A power

SenRing G038-12 series High Speed, a kind of Hollow Shaft slip ring, max speed 5000RPM. With hole size 12.7mm, OD 56mm, integrated structure, light weight, high IP grade. Adopt the special high temperature alloys and composites material, which can make sure the slip ring rotating continuously at high speed without cooling. Mainly applied in lab and any testing equipments to transmit power and kinds of signals when high speed rotating.



Technical Specification of the slip ring

Mechanical Data		Electrical Data	
spec	data	spec	data
Rotating speed	5000RPM	voltage range	0~440VAC/VDC
working temp.	-30℃~80℃	insulation resistance	$\geq 1000M\Omega/500VDC$
working temp.	0~85%RH	lead wire spec.	AWG22#UL Teflon
contact material	refer to slip ring grade table	lead wire length	standard 300mm (can be customized)
housing material	aluminum alloy	Dielectric Strength	800VAC@50Hz,60s
torque	0.05N.m;+0.02N.m/6 circuits	Electrical noise	<0.01Ω
IP grade	IP51	certificate	ROHS,CE

Color Code of Lead Wire

ring #	1	2	3	4	5	6	7	8	9	10	11	12
color	BLK	BRN	RED	ORG	YEL	GRN	BLU	PUR	GRY	WHT	PINK	LGT BLU
ring#	13	14	15	16	17	18	19	20	21	22	23	24
color	WHT/BLK	WHT/BRN	WHT/RED	WHT/ORG	WHT/YEL	WHT/GRN	WHT/BLU	WHT/PUR	WHT/GRY	BLK/RED	BLK/BRN	Transparent

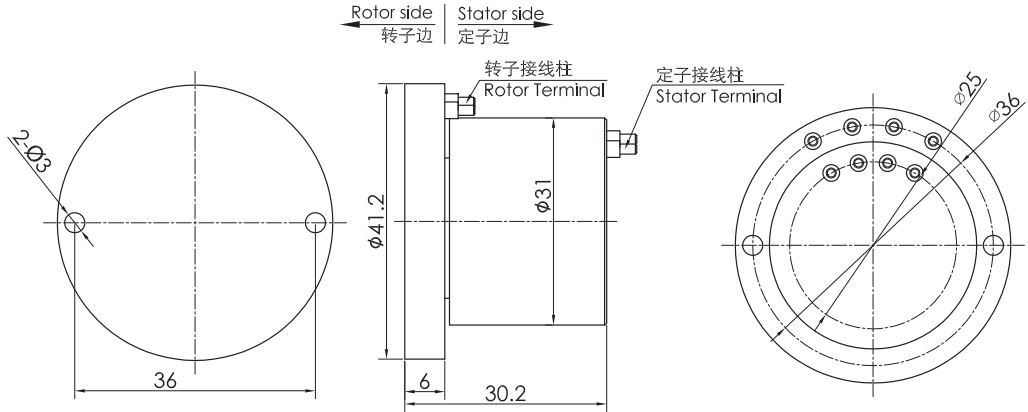
Remark: "1" : the first wire from rotor side, G038-12 wire color sequence: BLK/BRN/RED/ORG/YEL /GRN/BLU/PUR/GRY/WHT/PINK/LGT BLU, 24 color wires as one group, if more than 24wires, repeat as sequence, use number tube to tell group 1#, 2#...

G000 series Super High Speed slip ring

Max speed 12000RPM, 4~10 circuits, 0.5A current.



SenRing G000 series High Speed slip ring, max speed 12000RPM, which is the highest rotating speed slip ring model when 360° rotating among high speed series slip rings. With integrated structure, light weight, high IP grade. Adopt the same materials for aero-engines (such as high temperature alloys and composites material), which can make sure the slip ring rotating continuously at high speed without cooling. Mainly applied to some precise testing equipments for aero-engine speed test and automobile drive shaft torque test to transmit power and kinds of signals.



Technical Specification of the slip ring

Mechanical Data		Electrical Data	
spec	data	spec	data
Rotating speed	12000RPM	voltage range	0~440VAC/VDC
working temp.	-30℃~80℃	insulation resistance	≥1000MΩ/500VDC
working temp.	0~85%RH	lead wire spec.	terminal
contact material	refer to slip ring grade table	Dielectric Strength	800VAC@50Hz, 60s
housing material	aluminum alloy	Electrical noise	<0.01Ω
torque	0.05N.m; +0.02N.m/6 circuits	certificate	ROHS, CE
IP grade	IP51		

Color Code of Lead Wire

ring #	1	2	3	4	5	6	7	8	9	10	11	12
color	BLK	BRN	RED	ORG	YEL	GRN	BLU	PUR	GRY	WHT	PINK	LGT BLU
ring#	13	14	15	16	17	18	19	20	21	22	23	24
color	WHT/BLK	WHT/BRN	WHT/RED	WHT/ORG	WHT/YEL	WHT/GRN	WHT/BLU	WHT/PUR	WHT/GRY	BLK/RED	BLK/BRN	Transparent

Remark: "1" : the first wire from rotor side, G000-06 wire color sequence: BLK/BRN/RED/ORG/YEL/GRN, 24 color wires as one group, if more than 24 wires, repeat as sequence, use number tube to tell group 1#, 2#....