

# ZM056 Series Servo Motor/Encode Slip Ring

Solid, OD 56mm, support 1~4pcs servo motor+1~24 circuits power/signal



Specially designed for servo motor/encoder of SIMEMMS, YASKAWA, Panasonic, Mitsubishi, suitable for all kinds of foreign & domestic servo motor / stepper motor. More than 10 years operating experiences in SIMEMMS/HEIDENHAIN

## Part No. Description

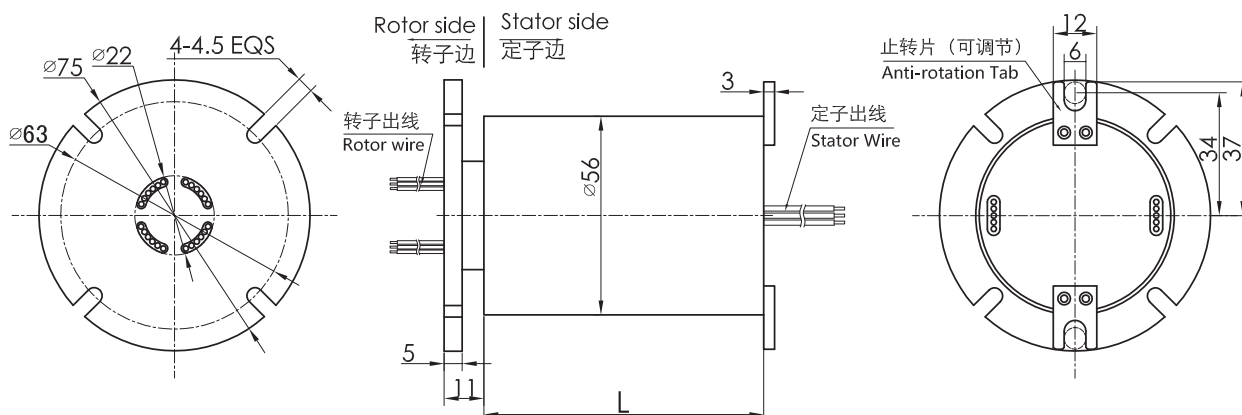
| ZM056   | Servo motor No. | Power circuits | Signal circuits | Grade code   |
|---|-----------------|----------------|-----------------|--|
| servo motor encode slip ring<br>solid, OD 56mm  |                 |                |                 | C: Standardf<br>D: Industrial<br>H: high quality   |
| For example:<br>1pcs servo motor(two cables, 1*4cores@10A cable for power+1* 6 cores shielded cable for encoder signal)<br>02: 2pcs servo motor<br>03: 3pcs servo motor , and so on |                 |                |                 | For example:<br>06S: 6 circuits signal@5A<br>12S: 12 circuits signal@5A<br>For example:<br>0610:6circuits@10A<br>1230:12circuits@30A |

## Example

ZM056-01-0610:support 1pcs servo motor+6 circuits@10A, without hole(solid), OD 56mm.

ZM056-04-1210-12S:support 4pcs servo motor+6 circuits@10A cable for power, hole size 30mm, Body Diameter 119mm.

Remark: More details or ask for customized solution, pls contact us, E-mail: info@senring.com senring.us@gmail.com



## Standard Model List

| Part no.          | Servo motor No. | Power circuits (10A) | Signal circuits (5A) | Length L(mm) | Part no.          | Servo motor No. | Power circuits (10A) | Signal circuits (5A) | Length L(mm) |
|-------------------|-----------------|----------------------|----------------------|--------------|-------------------|-----------------|----------------------|----------------------|--------------|
| ZM056-01          | 1               | 0                    | 0                    | 55           | ZM056-03          | 3               | 0                    | 0                    | 127          |
| ZM056-01-06S      | 1               | 0                    | 6                    | 71.5         | ZM056-03-06S      | 3               | 0                    | 6                    | 143.5        |
| ZM056-01-12S      | 1               | 0                    | 12                   | 88.5         | ZM056-03-12S      | 3               | 0                    | 12                   | 160.5        |
| ZM056-01-24S      | 1               | 0                    | 24                   | 122          | ZM056-03-24S      | 3               | 0                    | 24                   | 194          |
| ZM056-01-1210-12S | 1               | 12                   | 12                   | 122          | ZM056-03-1210-12S | 3               | 12                   | 12                   | 194          |
| ZM056-02          | 2               | 0                    | 0                    | 88.5         | ZM056-04          | 4               | 0                    | 0                    | 160.5        |
| ZM056-02-06S      | 2               | 0                    | 6                    | 104          | ZM056-04-06S      | 4               | 0                    | 6                    | 176          |
| ZM056-02-12S      | 2               | 0                    | 12                   | 122          | ZM056-04-12S      | 4               | 0                    | 12                   | 194          |
| ZM056-02-24S      | 2               | 0                    | 24                   | 156          | ZM056-04-24S      | 4               | 0                    | 24                   | 228          |
| ZM056-02-1210-12S | 2               | 12                   | 12                   | 156          | ZM056-04-1210-12S | 4               | 12                   | 12                   | 228          |

\*Remark: 1pcs servo motor(two cables, 1\*4 cores@10A cable for power+1\*6 cores shielded cable for encode signal).

### Technical Specification

| Mechanical           |                                  | Electrical          |                       |                                    |
|----------------------|----------------------------------|---------------------|-----------------------|------------------------------------|
| Spec.                | Data                             | Spec.               | Data                  |                                    |
|                      |                                  |                     | Power                 | Signal                             |
| Working Life         | pls refer to product grade table | Voltage Range       | 0~440VAC/VDC          | 0~440VAC/VDC                       |
| Rotating Speed       | pls refer to product grade table |                     | Insulation Resistance | $\geq 1000M\Omega / 500VDC$        |
| Working Temp.        | -30°C~80°C                       | Lead Wire Spec.     |                       | power cable or AWG #17 teflon wire |
| Work Humidity        | 0~85% RH                         |                     | Lead Wire Length      | standard 300mm(can be customized)  |
| Contact Material     | refer to slip ring grade table   | Dielectric Strength |                       | 500VAC@50Hz, 60s                   |
| Housing Material     | aluminum alloy                   |                     | Electrical Noise      | <0.01Ω                             |
| Torque               | 0.1N.m+0.03N.m/6circuits         | Loss Rate           |                       | <0.02%                             |
| Mechanical Vibration | MIL-STD-810E                     |                     | CE Certification      | YES                                |
| Material             | RoHS certification               |                     |                       |                                    |

### Product Grade Table

| Grade code     | Max rotating speed | Working life             | Contact material |
|----------------|--------------------|--------------------------|------------------|
| C:standard     | 400RPM             | 20millisons revolutions  | precious metal   |
| D:industrial   | 800RPM             | 60millisons revolutions  | precious metal   |
| H:high quality | 1200RPM            | 150millisons revolutions | gold alloy       |

### Color Code of Lead Wire

|       |         |         |         |         |         |         |         |         |         |         |         |             |
|-------|---------|---------|---------|---------|---------|---------|---------|---------|---------|---------|---------|-------------|
| ring# | 1       | 2       | 3       | 4       | 5       | 6       | 7       | 8       | 9       | 10      | 11      | 12          |
| color | BLK     | BRN     | RED     | ORG     | YEL     | GRN     | BLU     | PUR     | GRY     | WHT     | PINK    | LGT BLU     |
| ring# | 13      | 14      | 15      | 16      | 17      | 18      | 19      | 20      | 21      | 22      | 23      | 24          |
| color | WHT/BLK | WHT/BRN | WHT/RED | WHT/ORG | WHT/YEL | WHT/GRN | WHT/BLU | WHT/PUR | WHT/GRY | BLK/RED | BLK/BRN | Transparent |

Remark: "1" : the first wire from rotor side ,ZM056-01 wire color sequence: BLK/BRN/RED/ORG/YEL/GRN/BLU/PUR/GRY /WHT , 24 color wires as one group , if more than 24wires, repeat as sequence , use number tube to tell group 1#, 2#....