

UH3899-02 series USB2.0 signal slip ring

2 Channels USB2.0 wire +1~56 circuits power/signal

SenRing UH3899-02 series 3 channels USB rotary joint, can transmit 3 channels USB2.0 signal when 360° rotating, can be combined to stable transmit 1~34 circuits power/signal as well as IEEE1394 and various of USB signals. UH3899-02 series 2 channels USB slip ring has the advantages of stable signal transmission, no packet loss, no string code, small return loss, small insertion loss, etc.... Hole size 38.1mm, suitable for any 360° rotating application which requires a through hole ≤38.1mm.

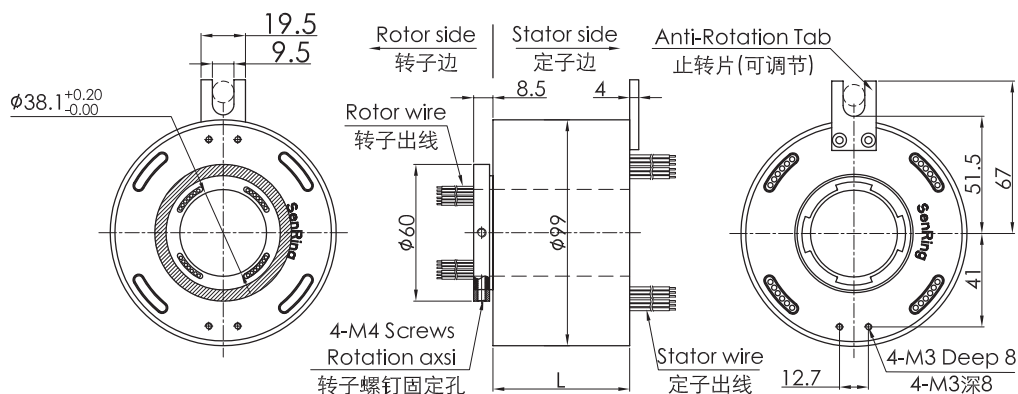
Part No. Description

UH3899-02 - power circuits - signal circuits - Product grade	
U:USB Slip Ring H means through hole ID:38.1mm OD:99mm 02:2 set of USB cable Examples: 0610:6 circuits@10A 1210:12 circuits@10A	Examples: 06S:6 circuits signal@2A(5A options) 12S:12 circuits signal@2A(5A options)

Examples

UH3899-02-06S: U means USB signal slip ring, H means through hole slip ring, 3899 means hole size:38.1mm, OD99MM, 02 means 2 channels USB2.0, 06 means 6 circuits signal;

UH3899-02-0310-04S: U means USB signal slip ring, H means through hole slip ring, 3899 means hole size 38.1mm, OD88MM, 02 means 2 channels USB2.0, 0310 means 3 circuits current(10A each), 04S means 4 circuits signal;



Model List

Model	power/signal circuits no.			USB2.0 channels no.	Length l(mm)
	0~2A	power(10A)	power(20A)		
UH3899-02-04S	4	0	0	2	72
UH3899-02-0410	0	4	0	2	72
UH3899-02-0420	0	0	4	2	72
UH3899-02-1010	0	10	0	2	96
UH3899-02-10S	10	0	0	2	96
UH3899-02-0210-08S	8	2	0	2	96
UH3899-02-0610-04S	4	6	0	2	96
UH3899-02-1610	0	16	0	2	120
UH3899-02-16S	16	0	0	2	120
UH3899-02-22S	22	0	0	2	144
UH3899-02-34S	34	0	0	2	192

*Remark: Circuits can be combined in parallel for bigger current, N circuits of 10A to get N*10A, such as 2 circuits of 10A in parallel for 20A use. Pls contact the SenRing salesman if you want to customize USB and power/signal circuit no, or mix other signal.

Technical Specification of the slip ring

USB cable	2 channels USB2.0	connector	USB 2.0 male (female optional)	
Mechanical Data		Electrical Data		
spec	data	spec	data	
working life	refer to slip ring grade table		power	signal
Rotating speed	refer to slip ring grade table	voltage range	0~440VAC/VDC	0~440VAC/VDC
working temp.	-30℃~80℃	insulation resistance	≥1000MΩ/500VDC	≥1000MΩ/500VDC
work humidity	0~85% RH	lead wire spec.	AWG17# Silver	AWG22# Silver
contact material	refer to slip ring grade table		-plated teflon	-plated teflon
housing material	aluminum alloy	lead wire length	standard 300mm(can be customized)	
torque	0.1N.m;+0.03N.m/6 circuits	Dielectric Strength	500VAC@50Hz,60s	
material	RoHS certificate	Electrical noise	<0.01Ω	
CE certificate	Yes			

Grade code

Grade code	Max rotating speed	working life	contact material
C:standard	400RPM	20 millions	precious metal
D:industrial	800RPM	60 millions	gold-gold

Color Code of Lead Wire

ring #	1	2	3	4	5	6	7	8	9	10	11	12
color	BLK	BRN	RED	ORG	YEL	GRN	BLU	PUR	GRY	WHT	PINK	LGT BLU
ring#	13	14	15	16	17	18	19	20	21	22	23	24
color	WHT/BLK	WHT/BRN	WHT/RED	WHT/ORG	WHT/YEL	WHT/GRN	WHT/BLU	WHT/PUR	WHT/GRY	BLK/RED	BLK/BRN	Transparent

Remark: "1" : the first wire from rotor side , UH3899-02-06S wire color sequence:BLK/BRN/RED/ORG/YEL/GRN , 24 color wires as one group , if more than 24wires, repeat as sequence , use number tube to tell group 1#, 2#....