



UH3899-01 series USB2.0 slip ring

1 Channel USB2.0 wire +1~56 circuits power/signal

SenRing UH3899-01 series 1 channel USB slip ring(USB2.0 rotary connector),can transmit USB2.0 signal when 360° rotating,can be combined to stable transmit 2~38 circuits power/signal as well as IEEE1394 and various of USB signals. UH3899-01 series 1 channel USB slip ring has the advantages of stable signal transmission,no packet loss, no string code, small return loss, small insertion loss,etc.... Hole size 38.1mm,OD99mm,suitable for any rotating application which requires a through hole <=38.1mm .UH3899-01 series USB slip ring is a standard model , stock available for common use. Pls contact the SenRing technician if you have special specification requirements for customization.

Part No. Description

UH3899-01 - power circuits - signal circuits - Product grade

U:USB Slip Ring

H means through hole

ID:38.1mm OD:99mm

01:1 set of USB cable

Examples:

0610:6 circuits@10A

1210:12 circuits@10A

Examples:

C:standard

D:industrial

Examples:

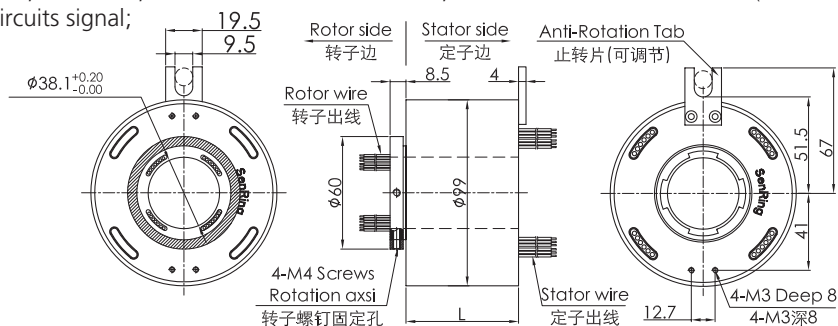
06S:6 circuits signal@2A(5A options)

12S:12 circuits signal@2A(5A options)

Examples

UH3899-01-06S: U means USB signal slip ring,H means through hole slip ring , 3899 means hole size:38.1mm,OD99MM,01 means 1 channel USB2.0,06 means 6 circuits signal;

UH3899-01-0310-04S: U means USB signal slip ring,H means through hole slip ring , 3899 means hole size 38.1mm,OD88MM,01 means 1 channel USB2.0 ,0310 means 3 circuits current(10A each) ,04S means 4 circuits signal;



Model List

| Model | power/signal circuits no. | | | USB2.0 channels no. | Length l(mm) |
|--------------------|---------------------------|------------|------------|---------------------|--------------|
| | 0~2A | power(10A) | power(20A) | | |
| UH3899-01-02S | 2 | 0 | 0 | 1 | 48 |
| UH3899-01-0210 | 0 | 2 | 0 | 1 | 48 |
| UH3899-01-0420 | 0 | 0 | 4 | 1 | 72 |
| UH3899-01-08S | 8 | 0 | 0 | 1 | 72 |
| UH3899-01-0810 | 0 | 8 | 0 | 1 | 72 |
| UH3899-01-0210-06S | 6 | 2 | 0 | 1 | 72 |
| UH3899-01-0410-04S | 4 | 4 | 0 | 1 | 72 |
| UH3899-01-14S | 14 | 0 | 0 | 1 | 96 |
| UH3899-01-1410 | 0 | 14 | 0 | 1 | 96 |
| UH3899-01-0410-10S | 10 | 4 | 0 | 1 | 96 |
| UH3899-01-0810-06S | 6 | 8 | 0 | 1 | 96 |
| UH3899-01-20S | 20 | 0 | 0 | 1 | 120 |
| UH3899-01-2010 | 0 | 20 | 0 | 1 | 120 |
| UH3899-01-26S | 26 | 0 | 0 | 1 | 144 |
| UH3899-01-38S | 38 | 0 | 0 | 1 | 192 |

*Remark: Circuits can be combined in parallel for bigger current,N circuits of 10A to get N*10A,such as 2 circuits of 10A in parallel for 20A use.Pls contact the SenRing salesman if you want to customize USB and power/signal circuit no,or mix other signal.

Technical Specification of the slip ring

| | | | | |
|------------------|--------------------------------|-----------------------|-----------------------------------|---------------------------------|
| USB cable | 1 channels USB2.0 | connector | USB 2.0 male (female optional) | |
| Mechanical Data | | Electrical Data | | |
| spec | data | spec | data | |
| working life | refer to slip ring grade table | | power | signal |
| Rotating speed | refer to slip ring grade table | voltage range | 0~440VAC/VDC | 0~440VAC/VDC |
| working temp. | -30℃~80℃ | insulation resistance | ≥1000MΩ/500VDC | ≥1000MΩ/500VDC |
| work humidity | 0~85% RH | lead wire spec. | AWG17# Silver -plated teflon | AWG22# Silver -plated teflon |
| contact material | refer to slip ring grade table | lead wire length | standard 300mm(can be customized) | |
| housing material | aluminum alloy | Dielectric Strength | 500VAC@50Hz,60s | |
| torque | 0.1N.m;+0.03N.m/6 circuits | Electrical noise | <0.01Ω | |
| material | RoHS certificate | | | |
| CE certificate | Yes | | | |

Grade code

| Grade code | Max rotating speed | working life | contact material |
|--------------|--------------------|--------------|------------------|
| C:standard | 400RPM | 20 millions | precious metal |
| D:industrial | 800RPM | 60 millions | gold-gold |

Color Code of Lead Wire

| ring # | 1 | 2 | 3 | 4 | 5 | 6 | 7 | 8 | 9 | 10 | 11 | 12 |
|--------|---------|---------|---------|---------|---------|---------|---------|---------|---------|---------|---------|-------------|
| color | BLK | BRN | RED | ORG | YEL | GRN | BLU | PUR | GRY | WHT | PINK | LGT BLU |
| ring# | 13 | 14 | 15 | 16 | 17 | 18 | 19 | 20 | 21 | 22 | 23 | 24 |
| color | WHT/BLK | WHT/BRN | WHT/RED | WHT/ORG | WHT/YEL | WHT/GRN | WHT/BLU | WHT/PUR | WHT/GRY | BLK/RED | BLK/BRN | Transparent |

Remark: "1" : the first wire from rotor side , UH3899-01-06S wire color sequence:BLK/BRN/RED/ORG/YEL/GRN , 24 color wires as one group , if more than 24wires, repeat as sequence , use number tube to tell group 1#, 2#....