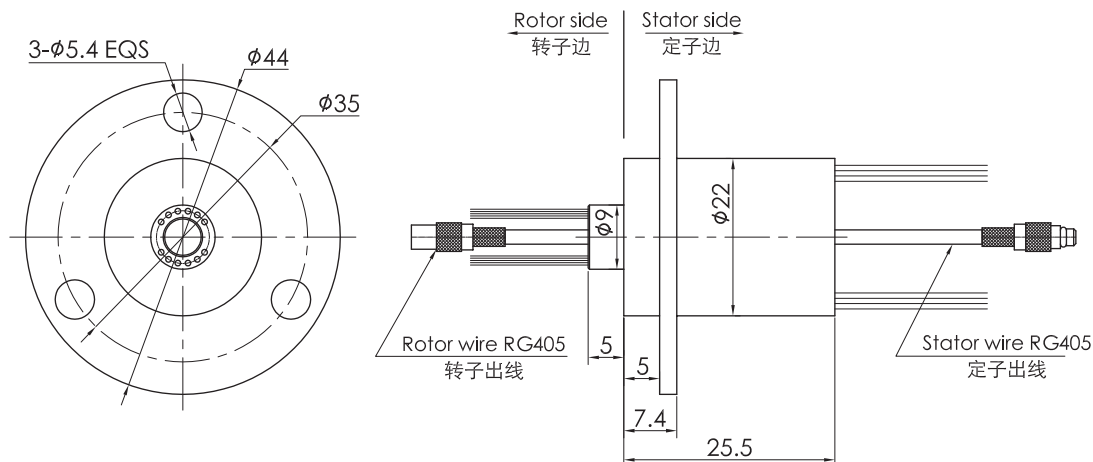


O022-12 seires HD slip ring



1 channel (1080P) HD @12 circuits (0~2A) signal

SenRing O022-12 seires HD video slip ring ,can transmit 1 channel HD video signal ,DC~3GHz coaxial HD signal or 12 circuits 2A signal when 360° roating,rated speed:100RPM.SHD-12 series HD slip ring,OD 22mm, length 25.5,MMCX、 SMA coaxial connector optional. Adopting US military surface treatment, ultra - hard gold plating treatment to ensure extremely low resistance fluctuation and long working life.Used to transmit weak control signal and weak current of small and medium-sized systems. For example, video signal, control signal, sensor signal and other signals.



Technical Specification of the slip ring

Frequency rate	DC-3GHz	Insertion loss	0.65dB/1GHz Max
Insertion loss fluctuation	+/-0.05dB	return loss	-18 dB/1GHz Max
Specification	RG405	Max speed	50RPM
VSWR	≤ 1.3	VSWR fluctuation	+/-0.05
impedance	50Ω	Style	BNC/F (Options)
Mechanical Data		Electrical Data	
spec	data	spec	data
working life	10millions for ref(depends on working conditions)	voltage range	0~440VAC/VDC
Rotating speed	250RPM continously	insulation resistance	≥ 1000MΩ/500VDC
working temp.	-30℃ ~80℃	lead wire spec.	AWG26# Silver-plated teflon
work humidity	0~85% RH	lead wire length	standard 250mm(can be customized)
contact material	refer to slip ring grade table	Dielectric Strength	500VAC@50Hz,60s
housing material	aluminum alloy	Electrical noise	<0.01Ω
torque	0.1N.m;+0.03N.m/6 circuits	CE certificate	Yes
		material	RoHS compliant

Color Code of Lead Wire

ring #	1	2	3	4	5	6	7	8	9	10	11	12
color	BLK	BRN	RED	ORG	YEL	GRN	BLU	PUR	GRY	WHT	PINK	LGT BLU

Remark: "1" : the first wire from rotor side , O022-12 wire color sequence:BLK/BRN/RED/ORG/YEL/GRN/BLU/PUR/PINK/LGT BLU , 24 color wires as one group.