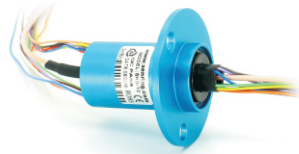
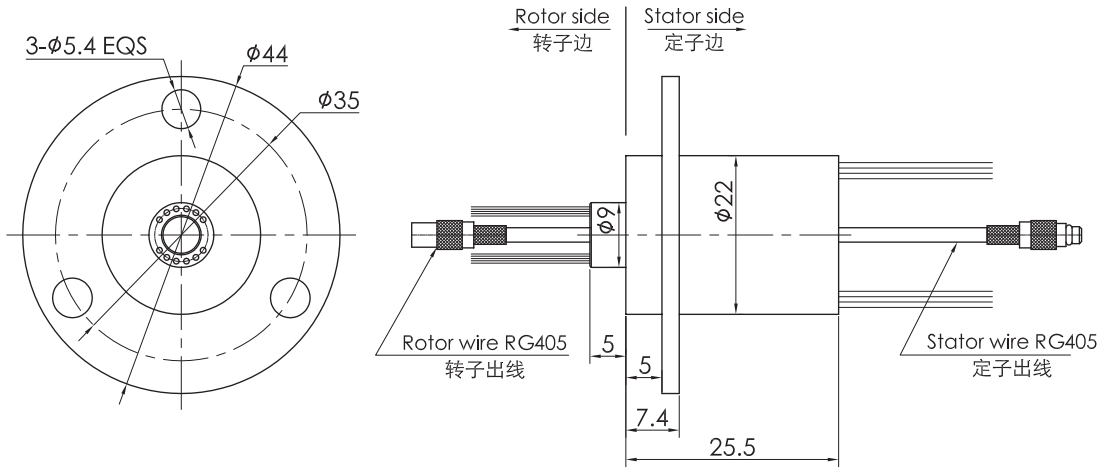


O022-08 series HD-SDI(1080P) HD slip ring

1 channel (1080P) HD+8 circuits(0~2A) signal



Adopting USA imported components and high frequency signal processing technology, 1 channel DC~3GHz high speed data, used for transmitting 1080P HD signals (downward compatibility), can be combined to transmit 8 circuits signal. Advantages: Stable transmission HD video signal, no delay, no frame loss and no attenuation compared with similar products.



Technical Specification of the slip ring

Frequency rate	DC-3GHz	Insertion loss	0.65dB/1GHz Max
Insertion loss fluctuation	+/-0.05dB	return loss	-18 dB/1GHz Max
Specification	RG405	Max speed	50RPM
VSWR	≤ 1.3	VSWR fluctuation	+/-0.05
impedance	50Ω	Style	BNC/F (Options)
Mechanical Data		Electrical Data	
spec	data	spec	data
working life	10millions for ref(depends on working conditions)	voltage range	0~440VAC/VDC
Rotating speed	250RPM continously	insulation resistance	≥ 1000MΩ/500VDC
working temp.	-30℃ ~80℃	lead wire spec.	AWG26# Silver-plated teflon
work humidity	0~85% RH	lead wire length	standard 250mm(can be customized)
contact material	refer to slip ring grade table	Dielectric Strength	500VAC@50Hz,60s
housing material	aluminum alloy	Electrical noise	<0.01Ω
torque	0.1N.m;+0.03N.m/6 circuits	CE certificate	Yes
		material	RoHS compliant

Color Code of Lead Wire

ring #	1	2	3	4	5	6	7	8
color	BLK	BRN	RED	ORG	YEL	GRN	BLU	PUR

Remark: "1" : the first wire from rotor side , O022-08 wire color sequence:BLK/BRN/RED/ORG/YEL/GRN/BLU/PUR , 24 color wires as one group.