



K350 series Pancake Slip Ring

K350 series Pancake Slip Ring, its hole size 50mm, OD 119mm, thickness ranges from 17.1~91.9mm. With fully aluminum alloy shell, its contact material treated with precious metal and super hard gold-plated, can make sure stable operation and low resistance fluctuation. Mainly applied to assemble any devices in the environment with limited height or horizontal space is unrestricted essentially.

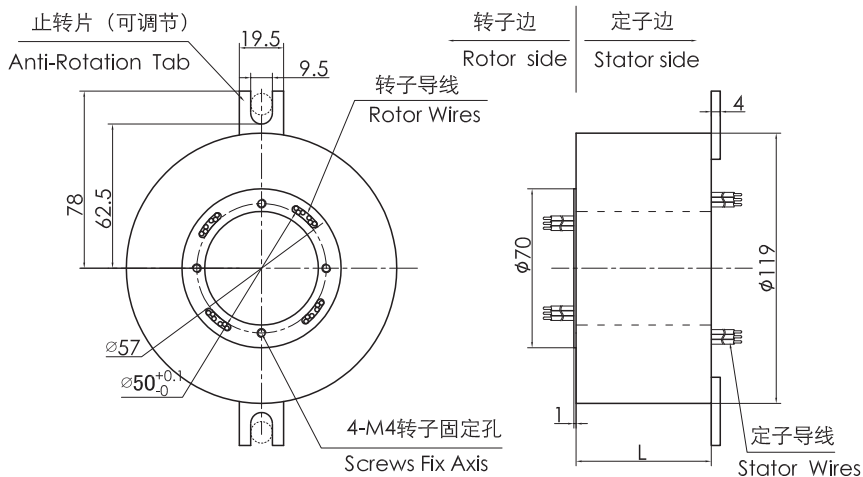
Part No. Description

K350 - power circuits - signal circuits - Product grade	
K series Pancake Slip Ring Hole size:50mm; OD:119mm Examples: 0610:6 circuits@10A 1210:12 circuits@10A	C:standard D:industrial Examples: 06S:6 circuits signal@2A (5A options) 12S:12 circuits signal@2A (5A options)

Examples

K350-12S: "K350" means K350 series Pancake Slip Ring, (hole size:50mm.OD:119mm), 1S means 1 circuit signal, thickness:51.1mm;

K350-1210-06S: "K350" means K350 series Pancake Slip Ring, (hole size:50mm.OD:119mm), "1210" means 12 circuits current (10A each), 06S means 6 circuits signal, thickness:71.5mm;



Model List

Model	signal/5A	10A	20A	Length L(mm)
K350-02S	2	0	0	17.1
K350-0210	0	2	0	17.1
K350-0210-02S	2	2	0	23.9
K350-0410	0	4	0	23.9
K350-06S	6	0	0	30.7
K350-0610	0	6	0	30.7
K350-0620	0	0	6	30.7
K350-0210-04S	4	2	0	30.7
K350-12S	12	0	0	51.1
K350-1210	0	12	0	51.1
K350-1220	0	0	12	51.1
K350-0610-06S	6	6	0	51.1

Model	signal/5A	10A	20A	Length L(mm)
K350-0620-06S	6	0	6	51.1
K350-18S	18	0	0	71.5
K350-1810	0	18	0	71.5
K350-0610-12S	12	6	0	71.5
K350-1210-06S	6	12	0	71.5
K350-0810-10S	10	8	0	71.5
K350-24S	24	0	0	91.9
K350-2410	0	24	0	91.9
K350-0610-18S	18	6	0	91.9
K350-1210-12S	12	12	0	91.9

*Remark:Circuits can be combined in parallel for bigger current,N circuits of 10A to get N*10A,such as 2 circuits of 10A in parallel for 20A use. if you need customize the hole size,OD,thickness,circuit no.and signal type of slip ring,pls contact the SenRing technician :186 7557 7111.

Technical Specification of the slip ring

Mechanical Data		Electrical Data		
spec	data	spec	data	
working life	refer to slip ring grade table		power	signal
Rotating speed	refer to slip ring grade table	voltage range	0~440VAC/VDC	0~240VAC/VDC
working temp.	-30℃~80℃	insulation resistance	≥1000MΩ/500VDC	≥1000MΩ/500VDC
work humidity	0~85%RH	lead wire spec.	AWG17# Silver-plated teflon	AWG22# Silver-plated teflon
contact material	refer to slip ring grade table			
housing material	aluminum alloy	lead wire length	standard 300mm (can be customized)	
torque	0.1N.m;+0.03N.m/6 circuits	Dielectric Strength	500VAC@50Hz, 60s	
IP grade	IP51	Electrical noise	<0.01Ω	

Grade code

Grade code	Max rotating speed	working life	contact material
C:standard	60RPM	3 millions	precious metal
D:industrial	200RPM	10 millions	gold-gold

Color Code of Lead Wire

ring #	1	2	3	4	5	6	7	8	9	10	11	12
color	BLK	BRN	RED	ORG	YEL	GRN	BLU	PUR	GRY	WHT	PINK	LGT BLU
ring#	13	14	15	16	17	18	19	20	21	22	23	24
color	WHT/BLK	WHT/BRN	WHT/RED	WHT/ORG	WHT/YEL	WHT/GRN	WHT/BLU	WHT/PUR	WHT/GRY	BLK/RED	BLK/BRN	Transparent

Remark: "1" : the first wire from rotor side , k350-06S wire color sequence: BLK/BRN/RED/ORG/YEL/GRN , 24 color wires as one group , if more than 24wires, repeat as sequence , use number tube to tell group 1#, 2#....