



K250 Pancake Slip Ring

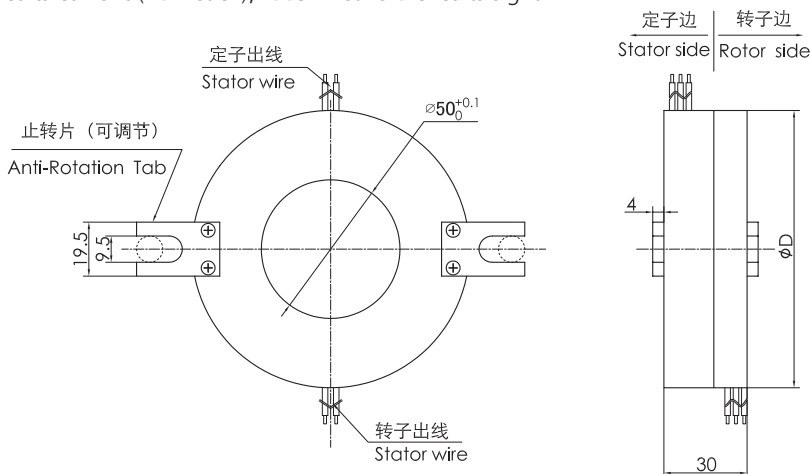
SenRing K250(K250)series Pancake slip ring with super thin thickness, hole size 50mm,thickness 30mm,OD ranges from 140mm~580mm.K250(K250) series Pancake slip ring is mainly applied to those devices with limited space and strict limits of slip ring on thickness (height) but enough horizontal space(OD).Special vacuum sealing technology & precious metal brush ensure the high reliability transmitting and rotating performance of slip ring. With many advantages such as low torque ,low friction, low electrical noise and long life. Standard models support 2-48 circuits 2~20A power/signal.

Part No. Description

K250 - power circuits - signal circuits - Product grade	
K series Pancake Slip Ring Hole size:50mm; Thickness (height) 30mm Examples: 0610:6 circuits@10A 1210:12 circuits@10A	C:standard D:industrial Examples: 06S:6 circuits signal@2A (5A options) 12S:12 circuits signal@2A (5A options)

Examples

K250-02S: K250 means K series Pancake slip ring (hole size 50mm,thickness 30mm), “02S” means 2 circuits signal;
 K250-0620-06S: K250 means K250 series Pancake slip ring (hole size 50mm,thickness 30mm),“0620” means 6 circuits current (20A each),“06S” means 6 circuits signal.



Model List

Model	signal/5A	10A	20A	OD(mm)
K250-02S	2	0	0	140
K250-0210	0	2	0	140
K250-0210-02S	2	2	0	156
K250-0410	0	4	0	156
K250-06S	6	0	0	172
K250-0610	0	6	0	172
K250-0620	0	0	6	172
K250-0210-04S	4	2	0	172
K250-12S	12	0	0	220
K250-1210	0	12	0	220
K250-1220	0	0	12	220
K250-0610-06S	6	6	0	220

Model	signal/5A	10A	20A	OD(mm)
K250-0620-06S	6	0	6	220
K250-18S	18	0	0	268
K250-1810	0	18	0	268
K250-0610-12S	12	6	0	268
K250-1210-06S	6	12	0	268
K250-0810-10S	10	8	0	268
K250-24S	24	0	0	316
K250-2410	0	24	0	316
K250-0610-18S	18	6	0	316
K250-1210-12S	12	12	0	316
K225-36S	36	0	0	412
K225-48S	48	0	0	508

*Remark: Circuits can be combined in parallel for bigger current, N circuits of 10A to get N*10A, such as 2 circuits of 10A in parallel for 20A use. If you need to customize the hole size, OD, thickness, circuit no. and signal type of slip ring, please contact the SenRing technician: 186 7557 7111.

Technical Specification of the slip ring

Mechanical Data		Electrical Data		
spec	data	spec	data	
working life	refer to slip ring grade table		power	signal
Rotating speed	refer to slip ring grade table	voltage range	0~440VAC/VDC	0~240VAC/VDC
working temp.	-30℃ ~80℃	insulation resistance	≥1000MΩ/500VDC	≥1000MΩ/500VDC
work humidity	0~85%RH	lead wire spec.	AWG17# Silver-plated teflon	AWG22# Silver-plated teflon
contact material	refer to slip ring grade table			
housing material	aluminum alloy	lead wire length	standard 300mm (can be customized)	
torque	0.1N.m; +0.03N.m/6 circuits	Dielectric Strength	500VAC@50Hz, 60s	
IP grade	IP51	Electrical noise	<0.01Ω	

Grade code

Grade code	Max rotating speed	working life	contact material
C: standard	60RPM	3 millions	precious metal
D: industrial	200RPM	10 millions	gold-gold

Color Code of Lead Wire

ring #	1	2	3	4	5	6	7	8	9	10	11	12
color	BLK	BRN	RED	ORG	YEL	GRN	BLU	PUR	GRY	WHT	PINK	LGT BLU
ring#	13	14	15	16	17	18	19	20	21	22	23	24
color	WHT/BLK	WHT/BRN	WHT/RED	WHT/ORG	WHT/YEL	WHT/GRN	WHT/BLU	WHT/PUR	WHT/GRY	BLK/RED	BLK/BRN	Transparent

Remark: "1": the first wire from rotor side, k250-06S wire color sequence: BLK/BRN/RED/ORG/YEL/GRN, 24 color wires as one group, if more than 24 wires, repeat as sequence, use number tube to tell group 1#, 2#....