

## H1235 Series

H1235 series standard precise slip ring, integrated structure design, with through hole 12mm , OD35mm , suitable for rotating application which requires a through hole <=35mm ( remark: if need a hole <7mm, can add a inner bushing)



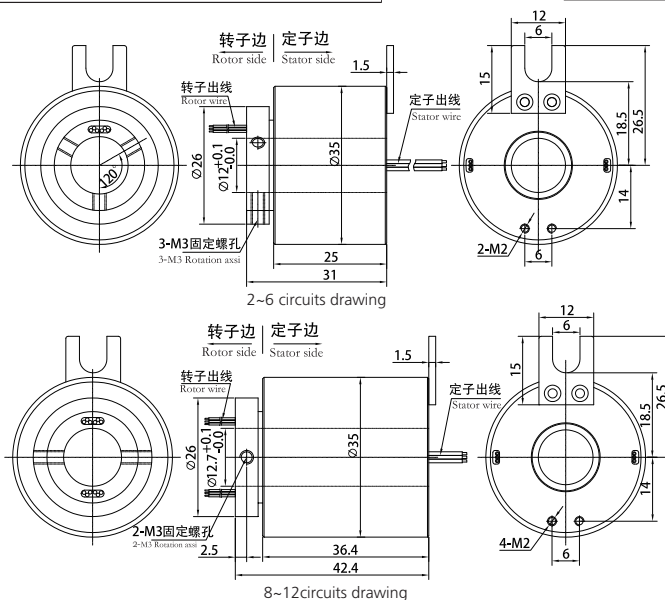
### Part No. Description

1235:ID 12(1~6circuits)  
/12.7mm(7~12circuits)  
OD 35mm

Example:  
0605:6circuits signal (0~5A)  
1205:12circuits signal (0~5A)

H1235 - Signal circuits no. - Eproduct grade

Example:  
C: standard level  
D:Industrial level  
H:High quality level



### Standard Model List

H1235 series model list		
Part no.	Circuits no. (signal or 0~2A)	Length L(mm)
H1235-0205	2	25
H1235-0305	3	25
H1235-0405	4	25
H1235-0605	6	25
H1235-0805	8	36.4
H1235-1005	10	36.4
H1235-1205	12	36.4

\*Remark: Circuits can be combined in parallel for bigger current, N circuits of 2A to get N\*2A, such as 2 circuits of 2A in parallel for 4A use.

### Technical Specification

Mechanical		Electrical	
Spec	Data	Spec	Data
Working life	pls refer to product grade table	Rated voltage	0~240VAC/VDC
Rotating speed	pls refer to product grade table	Insulation resistance	≥500mΩ/500VDC
Working temp.	-30°C~80°C	Lead wire spec.	AWG22# Silver-plated teflon
Work humidity	0~85% RH	Lead wire length	standard 300mm(can be customized)
Contact material	pls refer to produce grade table	Dielectric Strength	500VAC@50Hz,60s
Housing material	AL alloy	Electrical noise	<0.01Ω
Torque	0.05N.m (+0.02N.m/6circuits)		
IP grade	IP51		

### Product Grade Table

Grade code	Max rotating speed	Working life	Contact material
C:standard	250RPM	20millisons revolutions	precious metal
D:industrial	600RPM	60millisons revolutions	precious metal
H:high quality	1000RPM	150millisons revolutions	gold alloy