

H0835 Series

H0835series standard precise slip ring, integrated structure design, with through hole 8mm , OD35mm , suitable for rotating application which requires a through hole <=8mm (remark: if need a hole <8mm, can add a inner bushing)



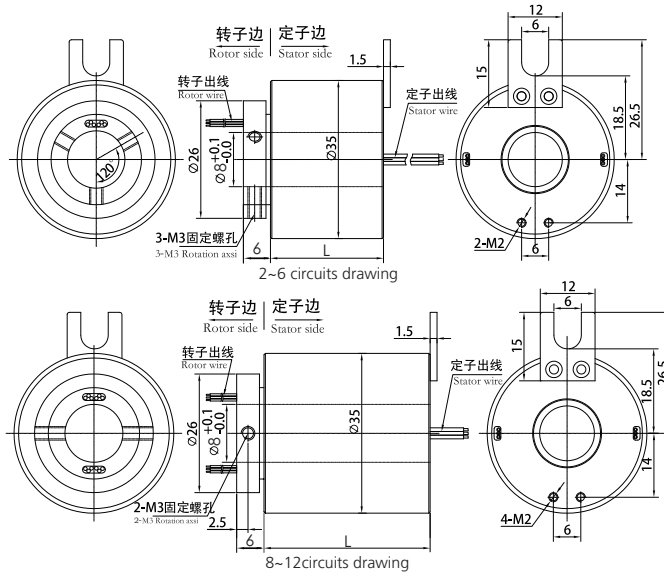
Part No. Description

H0835 - Signal circuits no. - Eroduct grade

H:through hole slip ring
0835:ID 8mm, OD 35mm

Example:
06S:6circuits signal (0~2A)
12S:12circuits signal (0~2A)

Example:
C: standard level
D:Industrial level
H:High quality level



Standard Model List

H0835 series model list			
Part no.	Max current /circuit	Circuits no.	Length L(mm)
H0835-0230	30A	2	25
H0835-0320	20A	3	25
H0835-0605	5A	6	25
H0835-0610	10A	6	25
H0835-1205	5A	12	36.4

*Remark: Circuits can be combined in parallel for bigger current, N circuits of 2A to get N*2A, such as 2 circuits of 2A in parallel for 4A use.

Technical Specification

Mechanical		Electrical	
Spec	Data	Spec	Data
Working life	pls refer to product grade table	Rated voltage	0~440VAC/VDC
Rotating speed	pls refer to product grade table	Insulation resistance	≥500mΩ/500VDC
Working temp.	-30°C~80°C	Lead wire spec.	AWG22# Silver-plated teflon
Work humidity	0~85% RH	Lead wire length	standard 300mm(can be customized)
Contact material	pls refer to produce grade table	Dielectric Strength	500VAC@50Hz,60s
Housing material	AL alloy	Electrical noise	<0.01Ω
Torque	0.05N.m (+0.02N.m/6circuits)		
IP grade	IP51		

Product Grade Table

Grade code	Max rotating speed	Working life	Contact material
C:standard	250RPM	20millisons revolutions	precious metal
D:industrial	600RPM	60millisons revolutions	precious metal
H:high quality	1000RPM	150millisons revolutions	gold alloy