

H0522 Series

H0522 series standard precise slip ring, integrated structure design, with through hole 5mm , OD22mm , suitable for rotating application which requires a through hole <=5mm (remark: if need a hole <5mm, can add a inner bushing)

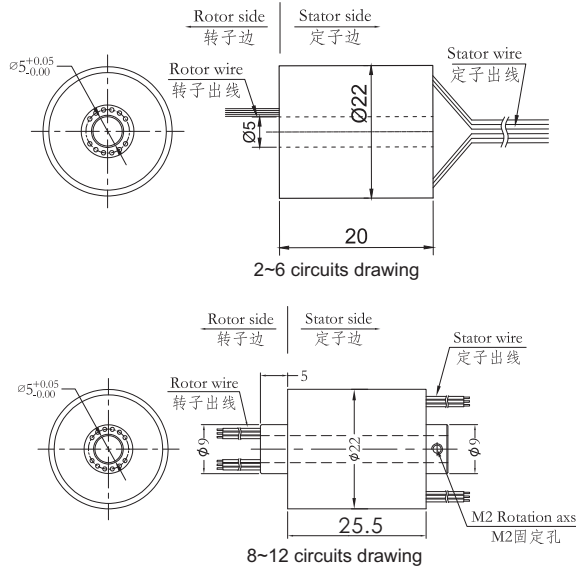
Part No. Description

H0522 - Signal circuits no. - Erodect grade

H:through hole slip ring
0522:ID 5mm, OD 22mm

Example:
06S:6circuits signal (0~2A)
12S:12circuits signal (0~2A)

Example:
C: standard level
D:Industrial level
H:High quality level



Standard Model List

H0522 series model list		
Part no.	Circuits no. (signal or 0~2A)	Length L(mm)
H0522-02S	2	20
H0522-03S	3	20
H0522-04S	4	20
H0522-06S	6	20
H0522-08S	8	25.5
H0522-10S	10	25.5
H0522-12S	12	25.5

*Remark: Circuits can be combined in parallel for bigger current, N circuits of 2A to get N*2A, such as 2 circuits of 2A in parallel for 4A use.

Technical Specification

Mechanical		Electrical	
Spec	Data	Spec	Data
Working life	pls refer to product grade table	Rated voltage	0~240VAC/VDC
Rotating speed	pls refer to product grade table	Insulation resistance	≥500mΩ/500VDC
Working temp.	-30°C~80°C	Lead wire spec.	AWG26# Silver-plated teflon
Work humidity	0~85% RH	Lead wire length	standard 300mm(can be customized)
Contact material	pls refer to produce grade table	Dielectric Strength	500VAC@50Hz,60s
Housing material	AL alloy	Electrical noise	<0.01Ω
Torque	0.05N.m (+0.02N.m/6circuits)		
IP grade	IP51		

Color code of Lead Wire

ring#	1	2	3	4	5	6	7	8	9	10	11	12
color	BLK	BRN	RED	ORG	YEL	GRN	BLU	PUR	GRY	WHT	PINK	LGT BLU