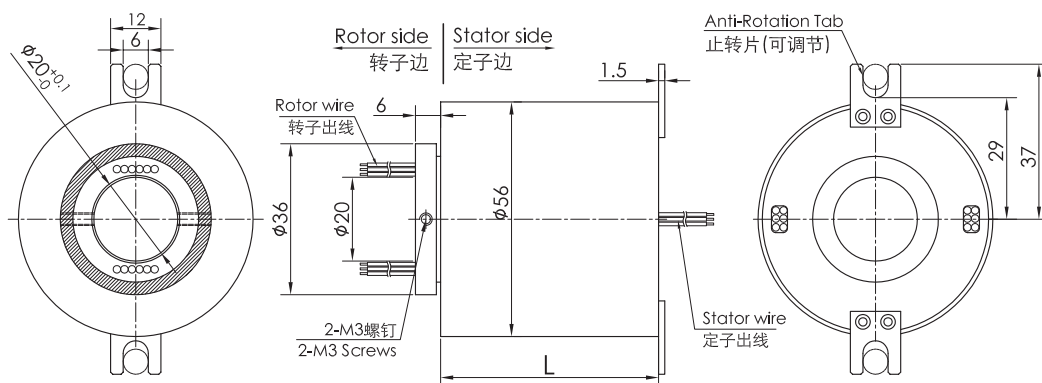




G2056 series High Speed slip ring

Max speed 1500RPM, hole size ranges from 0~20mm, 6~12 circuits 10A current.

SenRing G2056 series High Speed slip ring, hole size 20mm, OD 56mm, max speed 1500RPM. Developed specially for high speed rotation equipment. With patented technology, Germany imports key materials ensure high wear-resistant and conductive compare the traditional slip ring



Model List

Model	circuits(10A)	Length L(mm)
G2056-06	6 circuits	34
G2056-12	12 circuits	52

Technical Specification of the slip ring

Mechanical Data		Electrical Data	
spec	data	spec	data
Rotating speed	1500RPM	voltage range	0~440VAC/VDC
working temp.	-30℃~80℃	insulation resistance	≥ 1000MΩ/500VDC
working temp.	0~85%RH	lead wire spec.	AWG17#UL Teflon
contact material	refer to slip ring grade table	lead wire length	standard 300mm (can be customized)
housing material	aluminum alloy	Dielectric Strength	800VAC@50Hz,60s
torque	0.05N.m;+0.02N.m/6 circuits	Electrical noise	<0.01Ω
IP grade	IP51	certificate	ROHS,CE

Color Code of Lead Wire

ring #	1	2	3	4	5	6	7	8	9	10	11	12
color	BLK	BRN	RED	ORG	YEL	GRN	BLU	PUR	GRY	WHT	PINK	LGT BLU
ring#	13	14	15	16	17	18	19	20	21	22	23	24
color	WHT/BLK	WHT/BRN	WHT/RED	WHT/ORG	WHT/YEL	WHT/GRN	WHT/BLU	WHT/PUR	WHT/GRY	BLK/RED	BLK/BRN	Transparent

Remark: "1" : the first wire from rotor side , G2056-06 wire color sequence:BLK/BRN/RED/ORG/YEL /GRN , 24 color wires as one group , if more than 24wires, repeat as sequence , use number tube to tell group 1#, 2#....