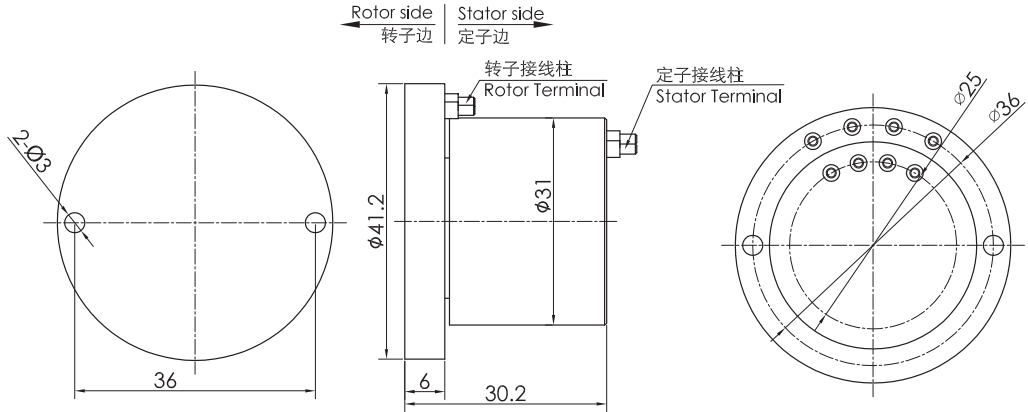


G000 series Super High Speed slip ring

Max speed 12000RPM, 4~10 circuits, 0.5A current.



SenRing G000 series High Speed slip ring, max speed 12000RPM, which is the highest rotating speed slip ring model when 360° rotating among high speed series slip rings. With integrated structure, light weight, high IP grade. Adopt the same materials for aero-engines (such as high temperature alloys and composites material), which can make sure the slip ring rotating continuously at high speed without cooling. Mainly applied to some precise testing equipments for aero-engine speed test and automobile drive shaft torque test to transmit power and kinds of signals.



Technical Specification of the slip ring

Mechanical Data		Electrical Data	
spec	data	spec	data
Rotating speed	12000RPM	voltage range	0~440VAC/VDC
working temp.	-30℃~80℃	insulation resistance	≥1000MΩ/500VDC
working temp.	0~85%RH	lead wire spec.	terminal
contact material	refer to slip ring grade table	Dielectric Strength	800VAC@50Hz, 60s
housing material	aluminum alloy	Electrical noise	<0.01Ω
torque	0.05N.m; +0.02N.m/6 circuits	certificate	ROHS, CE
IP grade	IP51		

Color Code of Lead Wire

ring #	1	2	3	4	5	6	7	8	9	10	11	12
color	BLK	BRN	RED	ORG	YEL	GRN	BLU	PUR	GRY	WHT	PINK	LGT BLU
ring#	13	14	15	16	17	18	19	20	21	22	23	24
color	WHT/BLK	WHT/BRN	WHT/RED	WHT/ORG	WHT/YEL	WHT/GRN	WHT/BLU	WHT/PUR	WHT/GRY	BLK/RED	BLK/BRN	Transparent

Remark: "1" : the first wire from rotor side, G000-06 wire color sequence: BLK/BRN/RED/ORG/YEL/GRN, 24 color wires as one group, if more than 24 wires, repeat as sequence, use number tube to tell group 1#, 2#....