

FO408 series 4 channels Fiber-Electric slip ring



SenRing FO408 series Fiber Optic rotary joint, 4 channels fiber (support single mode/multi-mode) can transmit data without loss when 360° unrestricted rotating. Specially suitable for some applications which requires to keep unrestricted, continuous or intermittent rotating and transmit mass data/signal from static side to rotation side, which can improve mechanical performance, simplify system operation and avoid damages to fiber.

Part No. Description

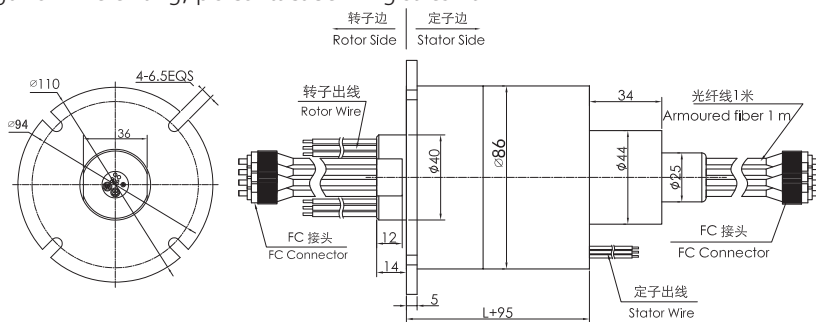
FO408	- Power circuits no.	- Signal circuits no.	- Fiber type	- Connector type	- wavelength
4 channel Fiber-Electric slip ring Fiber Optic rotary joint					
Example : 0610:06 means 6 circuits, 10 means 10A per circuit					
Example : 06S:06 means 6 circuits, S means signal					
					Wavelength : 01:1310/1550 (Single mode) 02:850/1310 (multi mode)
				Connector type code : FC:FC connector ST:ST connector SC:SC connector LC:LC connector t connector interface is PC by default, if need APC FC/APC pls add APC, as FC/APC	
				Fiber type code : 01:9/125um(Single mode) 02:50/125um(multi mode) 03:62.5/125um(multi mode)	

Examples

FO408-06S-01-FC-01: FO408 means 4 Channels Fiber Optic rotary joint, 06S means can be combined to transmit 6 circuits signal, the first 01 means Fiber type 9/125um(single mode), FC means FC connector, fiber interface PC, the second 01 means wavelength :1310/1550;

FO408-0610-06S-03-LC/APC-02: FO408 means 4 channels Fiber-Electric rotary joint, 0610 means 6 circuits 10A, 06S means can be combined to transmit 6 circuits signal, 03 means Fiber type 62.5/125um(multi-mode), LC/APC means LC connector, APC interface, 02 means wavelength :850/1310;

*Remark: If you have special requirements for fiber channel no., electric circuit no., Fiber connector type, wavelength or wire exiting, pls contact SenRing salesman.



Model List

Model	Fiber Channel no.	10A	Signal /5A	Length L(mm)	Model	Fiber Channel no.	10A	Signal /5A	Length L(mm)
FO408-02S	4	0	2	32	FO408-1210-12S	4	12	12	120
FO408-0210	4	2	0	32	FO408-1810-06S	4	18	6	120
FO408-03S	4	0	3	36	FO408-2410	4	24	0	120
FO408-0310	4	3	0	36	FO408-30S	4	0	30	144
FO408-06S	4	0	6	48	FO408-0610-24S	4	6	24	144
FO408-0210-04S	4	2	4	48	FO408-1210-18S	4	12	18	144
FO408-0410-02S	4	4	2	48	FO408-1810-12S	4	18	12	144
FO408-0610	4	6	0	48	FO408-2410-06S	4	24	6	144
FO408-12S	4	0	12	72	FO408-3010	4	30	0	144
FO408-0210-10S	4	2	10	72	FO408-36S	4	0	36	168
FO408-0310-09S	4	3	9	72	FO408-0610-30S	4	6	30	168
FO408-0610-06S	4	6	6	72	FO408-1210-24S	4	12	24	168
FO408-0810-04S	4	8	4	72	FO408-3610	4	36	0	168