



EH3899-02 series 2 channels Gigabit Ethernet rotary joint

2 channels Gigabit Ethernet+1~56 circuits power/signal

Senring EH3899-02 series Gigabit Ethernet rotary joint, with integrated structure, hole 38.1mm, OD 99mm, can transmit 2 channels Gigabit Ethernet signal accurately when 360° rotating. It can be combined to transmit 1~56 circuits power (current 2~20A) and USB, HDMI or other kinds of signal. Compared with similar products on market, with advantages of reliable transmitting, no packet loss, no string code, low return loss, low insertion loss, etc.

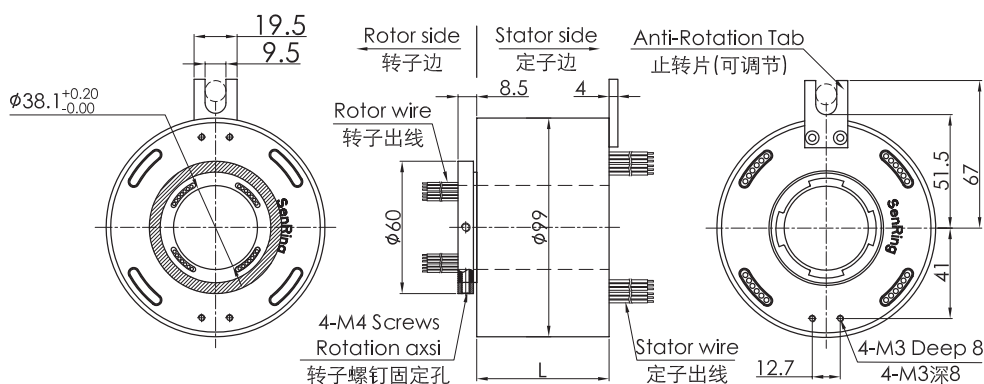
Part No. Description

EH3899 - 02 - power circuits - signal circuits - Product grade	
E:100M/1000M Part no. description H means through hole H3899: ID 38.1mm, OD 99mm Examples: 02:2 channels 100M/1000M baseT	C:standard D:industrial Examples: 06S:6 circuits signal@2A(5A options) 12S:12 circuits signal@2A(5A options) Examples: 0610:6 circuits@10A 1210:12 circuits@10A

Examples

EH3899-02-06S : EH3899 means Gigabit Ethernet slip ring (hole size 38.1mm, OD99mm), 02 means 2 channels Gigabit Ethernet, 06S means 6 circuits signal;

EH3899-02-0310-04S : EH3899 means Gigabit Ethernet slip ring (hole size 38.1mm, OD99mm), 02 means 2 channels Gigabit Ethernet, 0310 means 3 circuits 10A each, 04S means 4 circuits signal;



Model List

Model	power/signal circuits no.			1000M Ethernet channels no.	length L(mm)
	0~2A	power(10A)	power(20A)		
EH3899-02-02S	2	0	0	2	96
EH3899-02-0210	0	2	0	2	96
EH3899-02-08S	8	0	0	2	120
EH3899-02-0810	0	8	0	2	120
EH3899-02-0410-04S	4	4	0	2	120
EH3899-02-14S	14	0	0	2	144
EH3899-02-1410	0	14	0	2	144
EH3899-02-20S	20	0	0	2	168
EH3899-02-26S	26	0	0	2	192
EH3899-02-32S	32	0	0	2	216
EH3899-02-56S	56	0	0	2	312

*Remark: Circuits can be combined in parallel for bigger current, N circuits of 10A to get N*10A, such as 2 circuits of 10A in parallel for 20A use. If you need to customize the channel no. of Ethernet, power and signal, or mix other signals, please contact the SenRing salesman.

Technical Specification of the slip ring

Ethernet	2 channels 100M/1000M baseT	connectors	Rj45	
Mechanical Data		Electrical Data		
spec	data	spec	data	
working life	refer to slip ring grade table		power	signal
Rotating speed	refer to slip ring grade table	voltage range	0~440VAC/VDC	0~440VAC/VDC
working temp.	-30℃~80℃	insulation resistance	≥1000MΩ/500VDC	≥1000MΩ/500VDC
work humidity	0~85%RH	lead wire spec.	AWG17# Silver-plated teflon	AWG22# Silver-plated teflon
contact material	refer to slip ring grade table		standard 300mm (can be customized)	
housing material	aluminum alloy	lead wire length	standard 300mm (can be customized)	
torque	0.1N.m;+0.03N.m/6 circuits	Dielectric Strength	500VAC@50Hz,60s	
IP grade	MIL-STD-810E	Electrical noise	<0.01Ω	
certificate	RoHS certificate	CE certificate	Yes	

Grade code

Grade code	Max rotating speed	working life	contact material
C:standard	250RPM	20 millions	precious metal
D:industrial	600RPM	60 millions	gold-gold

Color Code of Lead Wire

ring #	1	2	3	4	5	6	7	8	9	10	11	12
color	BLK	BRN	RED	ORG	YEL	GRN	BLU	PUR	GRY	WHT	PINK	LGT BLU
ring#	13	14	15	16	17	18	19	20	21	22	23	24
color	WHT/BLK	WHT/BRN	WHT/RED	WHT/ORG	WHT/YEL	WHT/GRN	WHT/BLU	WHT/PUR	WHT/GRY	BLK/RED	BLK/BRN	Transparent

Remark: "1" : the first wire from rotor side , EH3899-02-06S wire color sequence: BLK/BRN/RED/ORG/YEL/ GRN , 24 color wires as one group , if more than 24wires, repeat as sequence , use number tube to tell group 1#, 2#....