



BH50130 Series Industrial Bus Slip Rings

hole size 50mm OD:130mm

Senring BH50130 Series Industrial Bus Slip Ring includes all kinds of Industrial Bus Signal Slip Rings, such as HDMI,HD-SDI, GbE(gigabit Ethernet),RS-232,RS-485,RS-422,Profibus, etc.

Part No. description

BH50130 - power circuits - signal circuits - signal Channels/code	
BH50130: Industrial Bus Slip Rings hole size:50mm OD:130mm For example:. 0610:6circuits@10A 1230:12circuits@30A	For example: 02E:2 channel 1000M Ethernet(total 18circuits) 03U:3 channel USB2.0(total 15circuits) More signal type pls refer to below list S: signal, For example: 08S:8circuits signal@2A 12S:12circuits signal@2A

Code list of signal type:

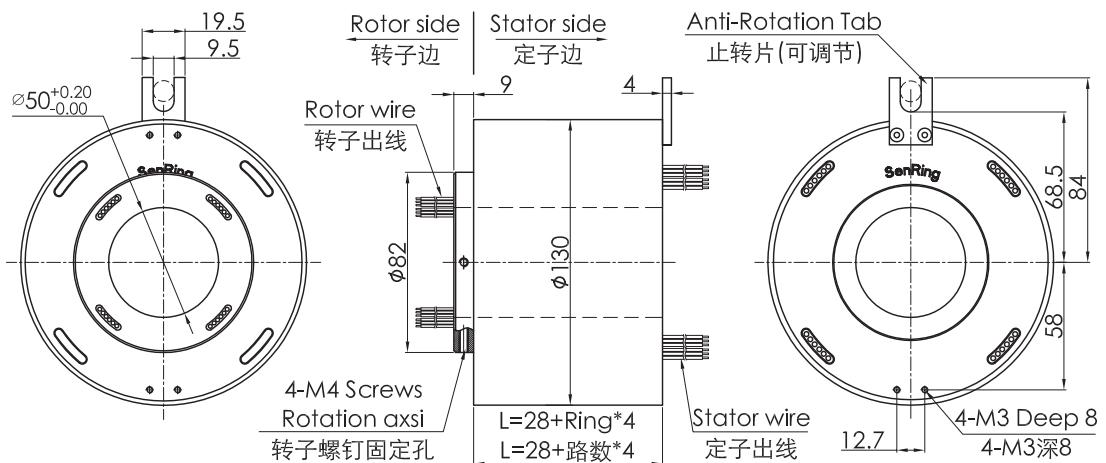
- F - 100M Ethernet (10, 100 BaseT Ethernet) - RJ45 (4circuits)
- E - 1000M Ethernet (1000 BaseT Ethernet) - RJ45 (9circuits)
- P - Profibus (Profibus - 4-Pin D-Sub) (4circuits)
- C - Canbus (Canbus - 4-Pin D-Sub) (4circuits)
- D - Device Net - 5 Pin Micro Change (5 circuits)
- T - Control Net - 75Ω BNC (4circuits)
- V - VGA (9circuits)
- H - HDMI (19circuits)
- U - USB 2.0 (5circuits)
- Q - Coaxial signal (Coax - 75 Ω BNC)(2circuits)
- R - RS485 (3circuits)
- R1 - RS422(5circuits)
- R2 - RS232(10circuits)
- B - Servo motor encoder signal(8circuits)
- E1 - Industrial Ethernet (9circuits)

Example

BH50130-0610-02U: Industrial bus slip ring,total 16 circuits,hole size 50mm,OD 130mm,6 circuits@10A+2 channel USB2.0.

BH50130-1210-02U-03E-01C: Industrial bus slip ring,total 16 circuits,hole size:50mm,OD 130mm,4 circuits@10A+4 circuits signal@2A+2 channel USB2.0+3 channel 1000M Gigabit Ethernet+1 channel CanBus.

*Remark: Any special requirements for hole size,OD,length,signal type,exit position of cables,please feel free to contact us.



Technical Specification

circuits	2~96circuits (depends on model)	current	signal (2A),10A/circuit
voltage rating	0~440 VDC/VAC	rotating speed	250RPM continuously, 1000RPM intermittently
housing material	AL alloy	torque	0.1N.m;+0.03N.m/6 wire
working life	> 80 millions for ref (depends on working conditions)	contact material	precious metal: gold-gold
electrical noise	<10mΩ	contact resistance	<20mΩ(AWG16#,300mm)
dielectric strength	800VDC@50Hz	lead wire spec.	UL Teflon@Awg22,Awg16
insulation resistance	1000MΩ@600VDC	lead wire length	300mm
working temp.	-40°C ~ 80°C	IP grade	IP51
mechanical vibration	MIL-STD-810E	work humidity	10%~85% RH
material	RoHS compliant	CE certificate	YES

Color code of Lead Wire

ring#	1	2	3	4	5	6	7	8	9	10	11	12
color	BLK	BRN	RED	ORG	YEL	GRN	BLU	PUR	GRY	WHT	PINK	LGT BLU
ring#	13	14	15	16	17	18	19	20	21	22	23	24
color	WHT/BLK	WHT/BRN	WHT/RED	WHT/ORG	WHT/YEL	WHT/GRN	WHT/BLU	WHT/PUR	WHT/GRY	BLK/RED	BLK/BRN	Transparent

Remark: "1" : the first wire from rotor side , BH50130-0610-02U wire color sequence:black,brown,red,orange,yellow,green,blue,purple,grey,white,pink,lightblue, 24 color wires as one group , if more than 24wires, repeat as sequence , use number tube to tell group 1#, 2#...