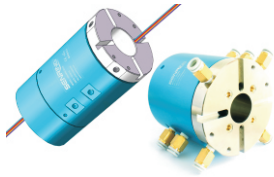


# 3304006 Series Two Passage Hollow Shaft Rotary Unions (with center hole 30mm)

4 Passage(G1/8" port,6~8mm pipes)+Electrical(Power/Signal)

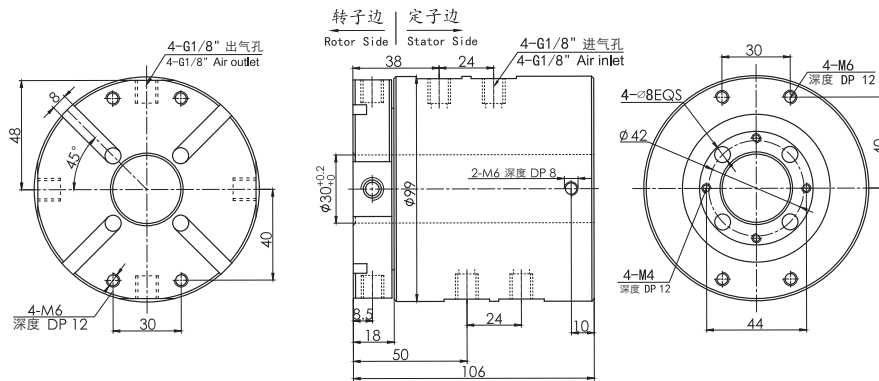


- support G1/8" port for 6~8mm pipes,can transfer various mediums
- including compressed air,steam,vacuum,negative pressure,positive
- pressure,cooling water,hot oil,etc when 360° rotating , it also can combine to transmit electrical power and signal.

## Part No. Description

3304006	-	Power Circuits	-	Signal Circuits
4 Passage Rotary Unions G1/8" port ,6mm pipes				
For example: 0610:6 circuits@10A 1230:12 circuits@30A				For example: 06S:6 circuits signal@2A 12S:12 circuits signal@2A

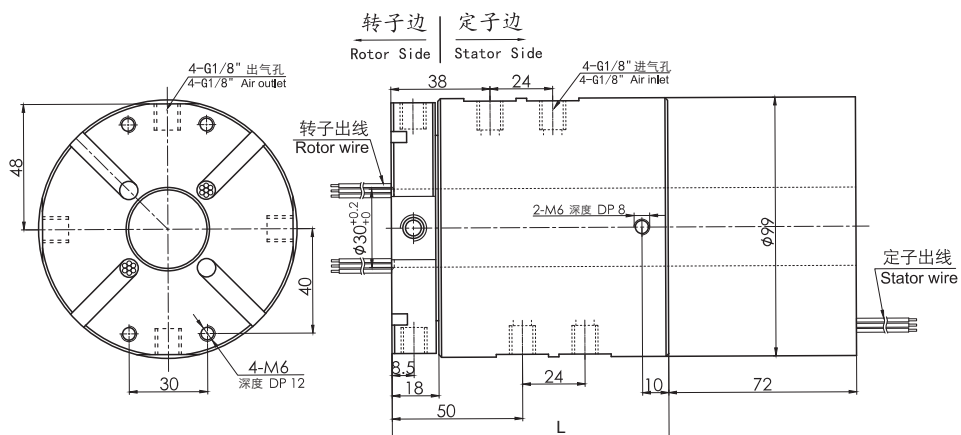
### 3304006 (Rotary Union Only) Drawing,2 Passage(6~8mm pipe)



## Standard Model List

Model	Passages(Gas/Flow)	Port Size	Pipe Size
3304006	4	G1/8"	6~8mm

### 3304006-X3AX4S 2 Passage(6~8mm pipe)+electrical power/signal(5A, 10A option)



## Standard Model List

Model	Passages	Port Size	Pipe Size	Power(10A)	Signal(5A)	Length L(mm)
3304006-0605	4	G1/8"	4~6mm	0	6	48
3304006-0610				6	0	48
3304006-1205				0	12	72
3304006-1210				12	0	72
3304006-1805				0	18	96
3304006-1810				18	0	96
3304006-2405				0	24	120
3304006-2410				24	0	120

## Technical Specification

Rotary Union Specification				
Passages	4 Passage	Max. Pressure	1Mpa, Vacuum -90kPa	
Pipe size	6~8mm Pipe(G1/8")	torque	<0.85N.m	
Mechanical parameters		Electrical parameters		
Spec.	Data	Spec.	Data	
Working Life	20millions for ref (depends on working conditions)	Voltage Range	0~440VAC/VDC	0~440VAC/VDC
		Insulation Resistance	<500MΩ/300VDC	<500MΩ/300VDC
Max. Speed	250RPM continously, 1000RPM intermittently	Lead Wire Spec.	AWG17# Silver-plated teflon wire	AWG22# Silver-plated teflon wire
		Lead Wire Length	standard 250mm(can be customized)	
Working Temp.	-30°C~80°C	Insulation Resistance	500VAC@50Hz,6s	
Work Humidity	0~85% RH	Electrical Noise	<0.01 Ω	
Contact Material	precious metal			
Housing Material	aluminum alloy			
IP Grade	IP51			