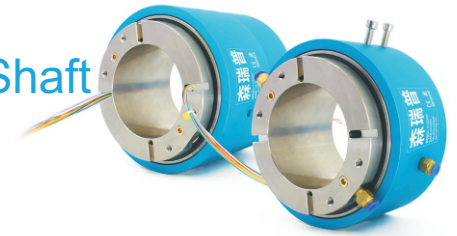


31002006 Series Four Passage Hollow Shaft Rotary Unions(with center hole 100mm)



4 Passage(G1/8" port,6~8mm pipes)+Electrical(Power/Signal)

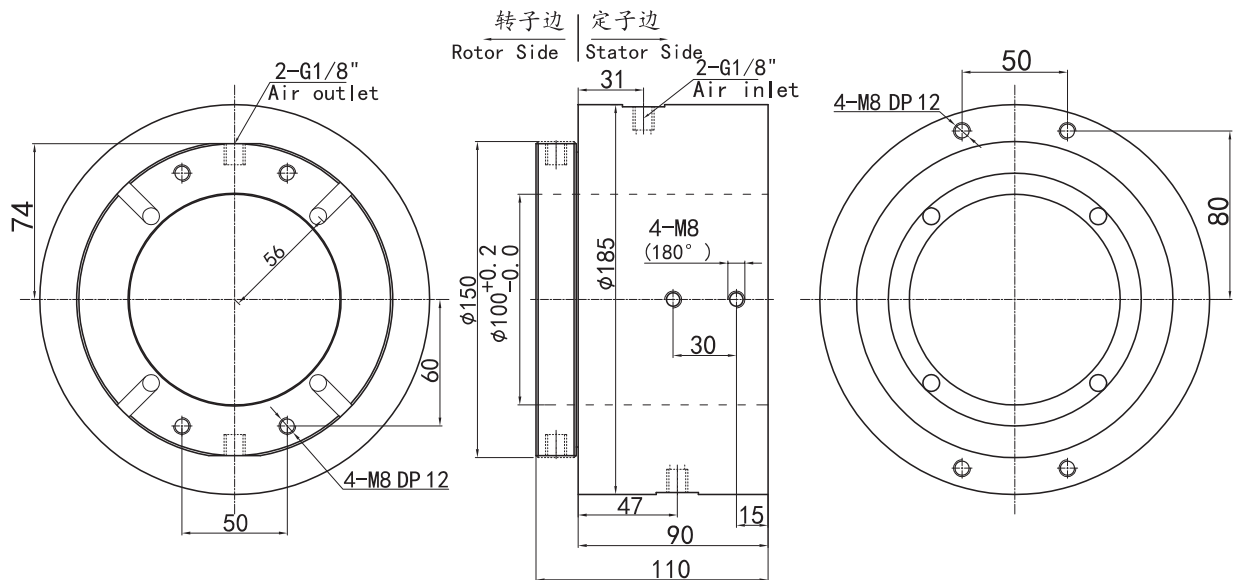
support G1/8" port for 6~8mm pipes,can transfer various mediums including compressed air,steam,vacuum,negative pressure,positive pressure,cooling water,hot oil,etc when 360° rotating , it also can combine to transmit electrical power and signal.

Part No. Description

31002006 - Power Circuits - Signal Circuits

4 Passage Rotary Unions G1/8" port ,6~8mm pipes with center hole 100mm				For example: 05:5A 10:10A
				For example: 06:6 circuits 12:12 circuits

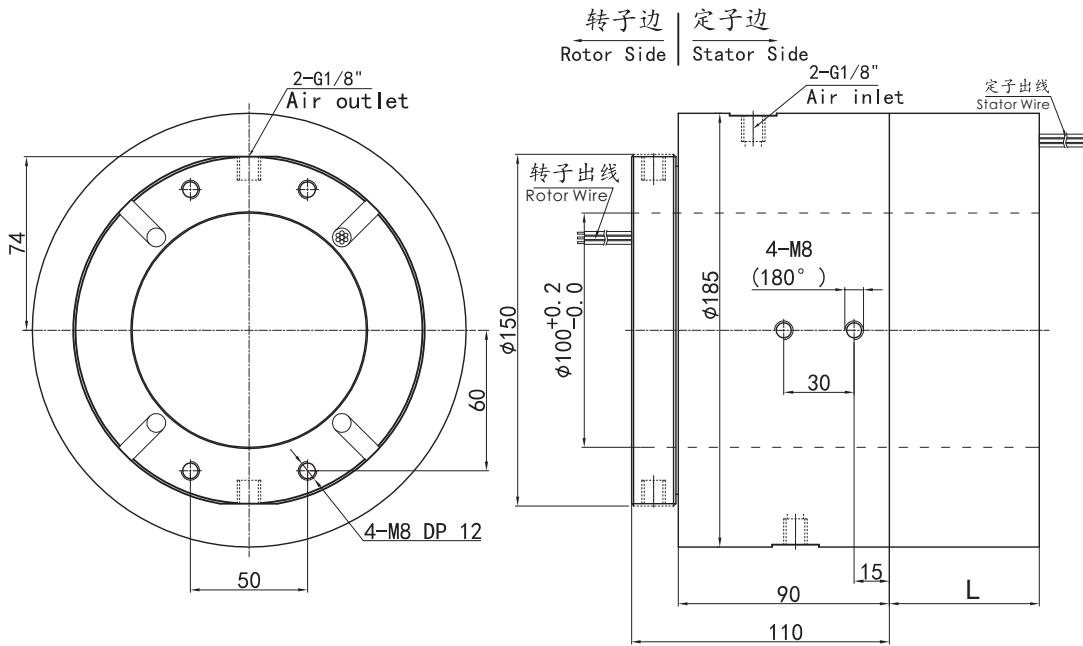
31002006 (Rotary Union Only) Drawing,4 Passage(6~8mm pipe,with center hole 100mm)



Standard Model List

Model	Passages(Gas/Flow)	Port Size	Pipe Size
31002006	4	G1/8"	6~8mm

31002006-X3AX4S 4 Passage(6~8mm pipe,with center hole 100mm)+electrical power/signal(5A, 10A option)



Standard Model List

Model	Passages(Gas/Flow)	Port Size	Pipe Size	Power(10A)	Signal(0~5A)	Length L(mm)
31002006-0605	4	G 1/8 "	6~8mm	0	6	64
31002006-0610	4	G 1/8 "	6~8mm	6	0	64
31002006-1205	4	G 1/8 "	6~8mm	0	12	88
31002006-1210	4	G 1/8 "	6~8mm	12	0	88
31002006-1805	4	G 1/8 "	6~8mm	0	18	112
31002006-1810	4	G 1/8 "	6~8mm	18	0	112
31002006-2405	4	G 1/8 "	6~8mm	0	24	136
31002006-2410	4	G 1/8 "	6~8mm	24	0	136

Technical Specification

Rotary Union Specification			
Passages	4 Passage(Gas/Flow)	Max. Pressure	1Mpa, Vacuum -90kPa
Pipe size	6mm Pipe(G 1/8 ")	torque	<0.2N.m
Mechanical parameters		Electrical parameters	
Spec.	Data	Spec.	Data
Working Life	20millions for ref (depends on working conditions)	Voltage Range	Power: 0~440VAC/VDC Signal: 0~440VAC/VDC
		Insulation Resistance	<500MΩ/300VDC
Max. Speed	250RPM continously, 1000RPM intermittently	Lead Wire Spec.	AWG17# Silver-plated teflon wire AWG22# Silver-plated teflon wire
Working Temp.	-30°C~80°C	Lead Wire Length	standard 250mm(can be customized)
Work Humidity	0~85% RH	Insulation Resistance	500VAC@50Hz,6s
Contact Material	precious metal	Electrical Noise	<0.01 Ω
Housing Material	aluminum alloy		
IP Grade	IP51		

Color Code of Lead Wire

ring #	1	2	3	4	5	6	7	8	9	10	11	12
color	BLK	BRN	RED	ORG	YEL	GRN	BLU	PUR	GRY	WHT	PINK	LGT BLU