

# 3004006 Series 4 Passages Rotary Unions



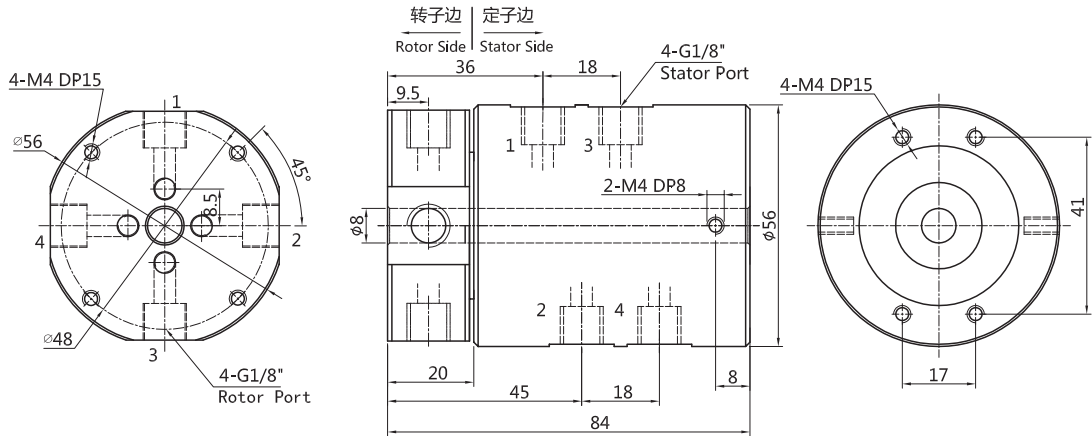
4 Passage(G1/8" port,6~8mm pipes)+Electrical(Power/Signal)

support G1/8" port for 6~8mm pipes,can transfer various mediums including compressed air,steam,vacuum,negative pressure,positive pressure,cooling water,hot oil,etc when 360° rotating , it also can combine to transmit electrical power and signal.

## Part No. Description

4 Passage Rotary Unions G1/8" port ,6mm pipes	<b>3004006</b> - Power Circuits - Signal Circuits	For example: 06S:6 circuits signal@2A 12S:12 circuits signal@2A
For example: 0610:6 circuits@10A 1230:12 circuits@30A		

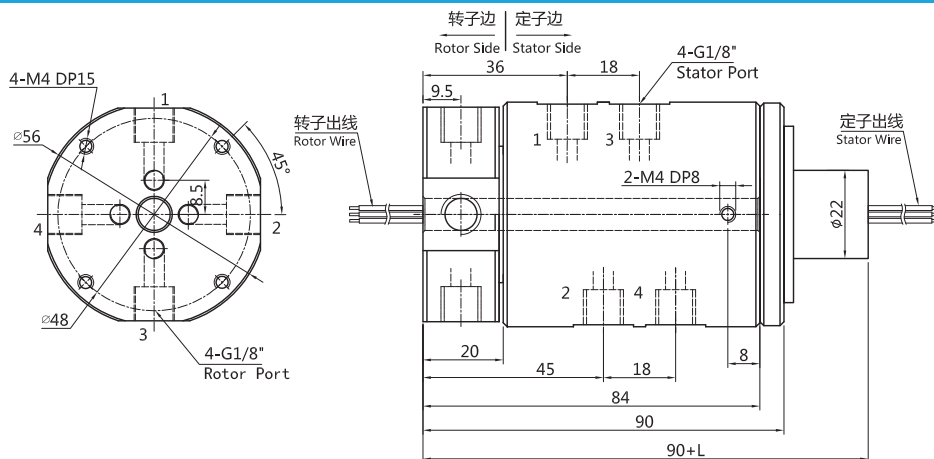
### 3004006 (Rotary Union Only) Drawing,4 Passage(6~8mm pipe)



### Standard Model List

Model	Passages(Gas/Flow)	Port Size	Pipe Size
3004006	4	G1/8"	6~8mm

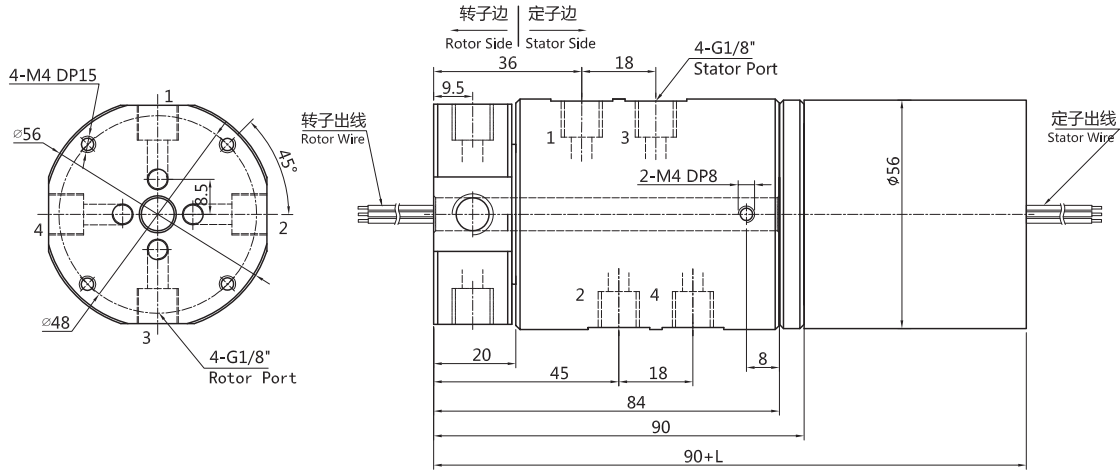
### 3004006-X4S 4 Passage(6~8mm pipe) +6~56 circuits electrical signal@2A (Suitable for Solenoid valve or Sensor switch Signals)



### Standard Model List

Model	Passages(Gas/Flow)	Port Size	Pipe Size	Signal Circuits(2A)	Length L(mm)
3004006-06	4	G1/8"	6~8mm	6	14
3004006-12	4	G1/8"	6~8mm	12	21
3004006-24S	4	G1/8"	6~8mm	24	35
3004006-36S	4	G1/8"	6~8mm	36	52.3
3004006-56S	4	G1/8"	6~8mm	56	82

### 3004006-X3AX4S 4 Passage(6~8mm pipe)+electrical power/signal(5A, 10A option)



### Standard Model List

Model	Passages	Port Size	Pipe Size	Circuits		Length L(mm)
				Power(10A)	Signal(2A)	
3004006-06S	4	G1/8"	6~8mm	0	6	38
3004006-0610	4	G1/8"	6~8mm	6	0	38
3004006-12S	4	G1/8"	6~8mm	0	12	55
3004006-0610-06S	4	G1/8"	6~8mm	6	6	55
3004006-1210	4	G1/8"	6~8mm	12	0	55
3004006-0610-12S	4	G1/8"	6~8mm	6	12	71.5
3004006-1210-06S	4	G1/8"	6~8mm	12	6	71.5
3004006-18S	4	G1/8"	6~8mm	0	18	71.5
3004006-1810	4	G1/8"	6~8mm	18	0	71.5
3004006-0610-18S	4	G1/8"	6~8mm	6	18	88.5
3004006-24S	4	G1/8"	6~8mm	0	24	88.5
3004006-30S	4	G1/8"	6~8mm	0	30	106
3004006-36S	4	G1/8"	6~8mm	0	36	125

### Technical Specification

Rotary Union Specification			
Passages	4 Passage	Max. Pressure	1Mpa, Vacuum -90kPa
Pipe size	6~8mm Pipe(G1/8")	torque	<0.4N.m
Mechanical parameters		Electrical parameters	
Spec.	Data	Spec.	Data
Working Life	20millions for ref (depends on working conditions)	Voltage Range	Power: 0~440VAC/VDC Signal: 0~440VAC/VDC
		Insulation Resistance	<500MΩ/300VDC
Max. Speed	250RPM continously, 1000RPM intermittently	Lead Wire Spec.	AWG17# Silver-plated teflon wire AWG22# Silver-plated teflon wire
		Lead Wire Length	standard 250mm(can be customized)
Working Temp.	-30°C~80°C	Insulation Resistance	500VAC@50Hz,6s
Work Humidity	0~85% RH	Electrical Noise	<0.01Ω
Contact Material	precious metal		
Housing Material	aluminum alloy		
IP Grade	IP51		