

## 3004004 Series 4 Passages Pnuematic/Hydraulic+Electric Rotary Unions

4 Passage(M5 port,4mm pipes)+Electrical(Power/Signal)

support M5 port for 4mm pipes,can transfer various mediums including compressed air,steam,vacuum,negative pressure,positive pressure,cooling water,hot oil,etc when 360° rotating , it also can combine to transmit electrical power and signal.



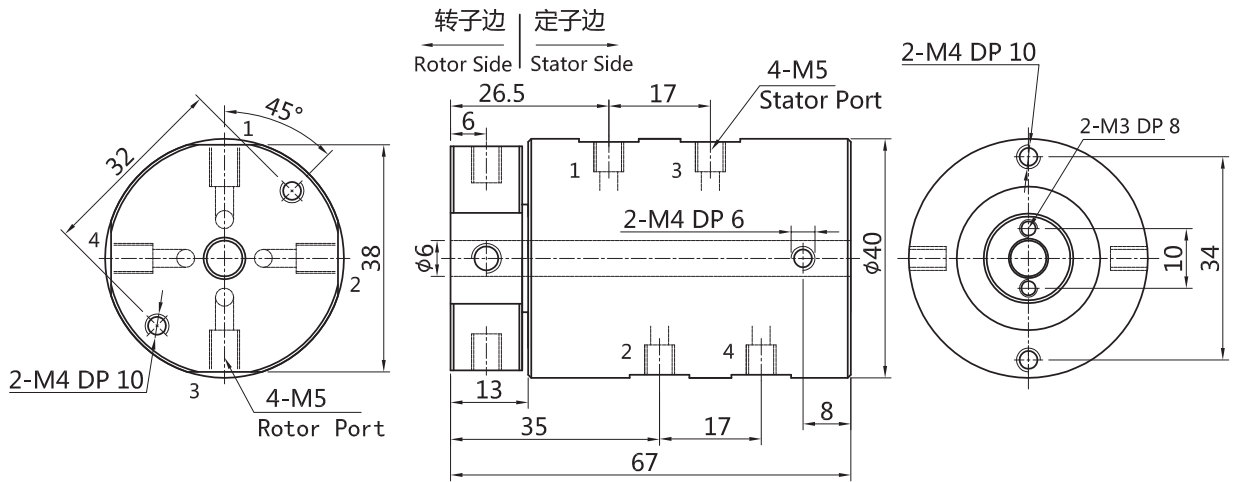
### Part No. Description

3004004 - Signal Circuits

4 Passage Rotary Unions  
support 4 M5 port for 4mm pipes

For example:  
06S:6 circuits signal@2A  
12S:12 circuits signal@2A

### 3004004 (Rotary Union Only) Drawing,4 Passage(4mm pipe)

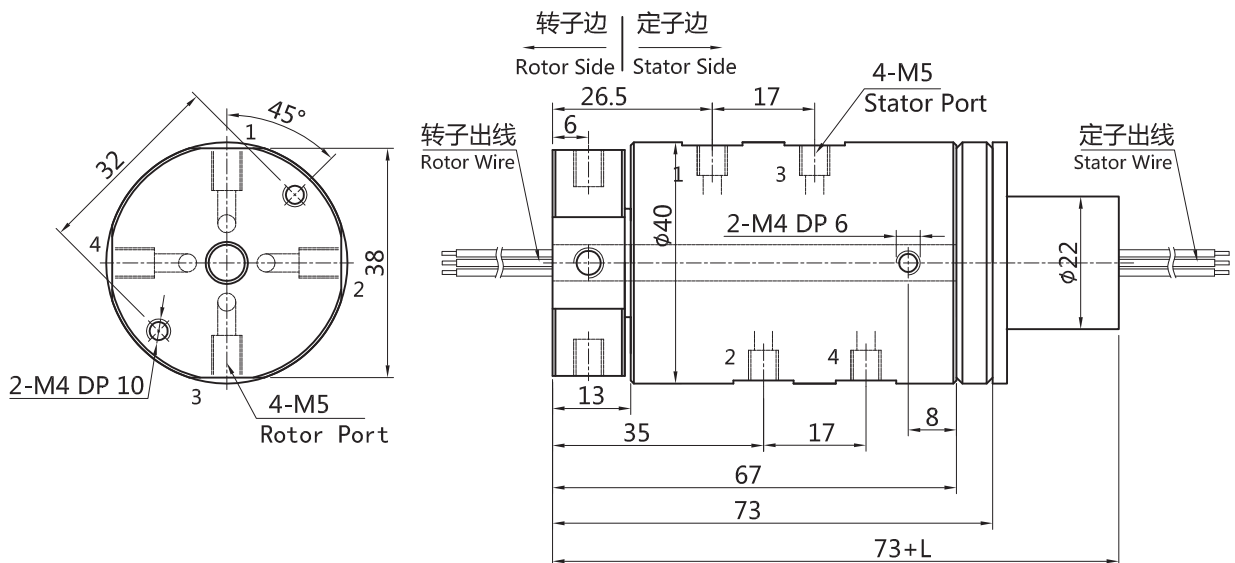


### Standard Model List

Model	Passages(Gas/Flow)	Port Size	Pipe Size
3004004	4	M5	4~6mm

### 3004004-X4S 4 Passage(4mm pipe)

+6~36 circuits electrical signal@2A (Suitable for Solenoid valve or Sensor switch Signals)



## Standard Model List

Model	Passages(Gas/Flow)	Port Size	Pipe Size	Signal Circuits(2A)	Length L(mm)
3004004-06S	4	M5	4~6mm	6	14
3004004-12S	4	M5	4~6mm	12	21
3004004-24S	4	M5	4~6mm	24	35
3004004-36S	4	M5	4~6mm	36	52

## Technical Specification

Rotary Union Specification				
Passages	4 Passage(Gas/Flow)	Max. Pressure	10Mpa, Vacuum -90kPa	
Pipe size	4mm Pipe(M5)	torque	<0.4N.m	
Mechanical parameters		Electrical parameters		
Spec.	Data	Spec.	Data	
Working Life	20millions for ref (depends on working conditions)	Voltage Range	Power	Signal
			0~240VAC/VDC	0~240VAC/VDC
Max. Speed	250RPM continously, 1000RPM intermittently	Insulation Resistance	<500MΩ/300VDC	<500MΩ/300VDC
		Lead Wire Spec.	AWG26# Silver-plated teflon wire	AWG26# Silver-plated teflon wire
Working Temp.	-30°C~80°C	Lead Wire Length	standard 250mm(can be customized)	
Work Humidity	0~85% RH	Insulation Resistance	500VAC@50Hz,6s	
Contact Material	precious metal	Electrical Noise	<0.01Ω	
Housing Material	aluminum alloy			
IP Grade	IP51			

## Color Code of Lead Wire

ring #	1	2	3	4	5	6	7	8	9	10	11	12
color	BLK	BRN	RED	ORG	YEL	GRN	BLU	PUR	GRY	WHT	PINK	LGT BLU