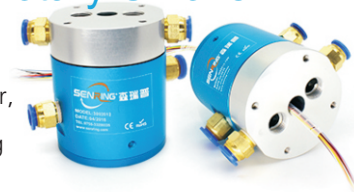


3002012 Series 2 Passages Pneumatic & Hydraulic Rotary Unions

2 Passage(G3/8" port, 10~12mm pipes)+Electrical(Power/Signal)

support G3/8" port for 10~12mm pipes, can transfer various mediums including compressed air, steam, vacuum, negative pressure, positive pressure, cooling water, hot oil, etc when 360° rotating, it also can combine to transmit electrical power and signal.



Part No. Description

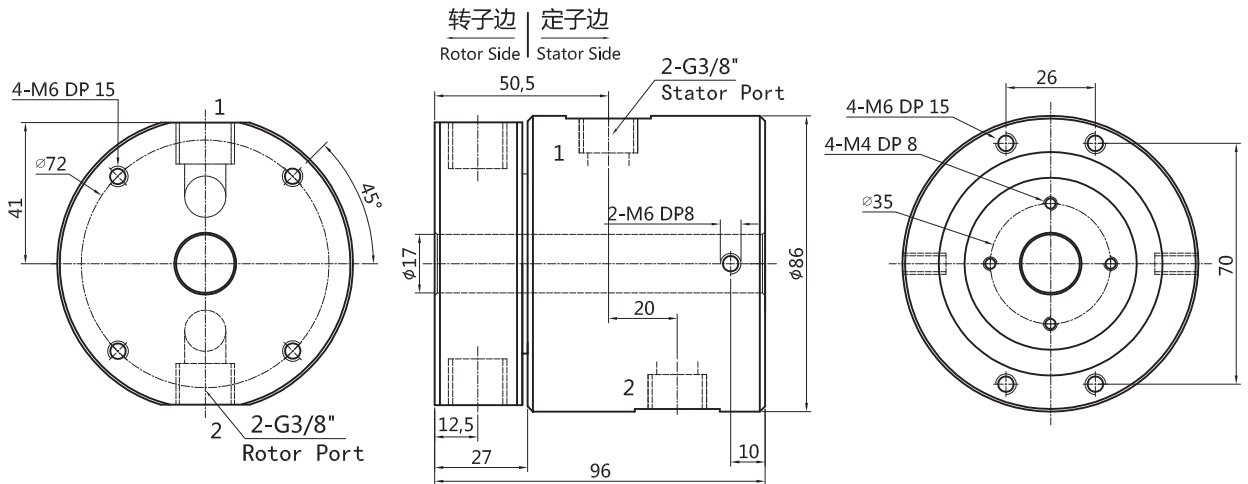
3002012 - Power Circuits - Signal Circuits

2 Passage Rotary Unions
G3/8" port, 10~12mm pipes

For example:
0610:6 circuits@10A 1230:12 circuits@30A

For example:
06S:6 circuits signal@2A
12S:12 circuits signal@2A

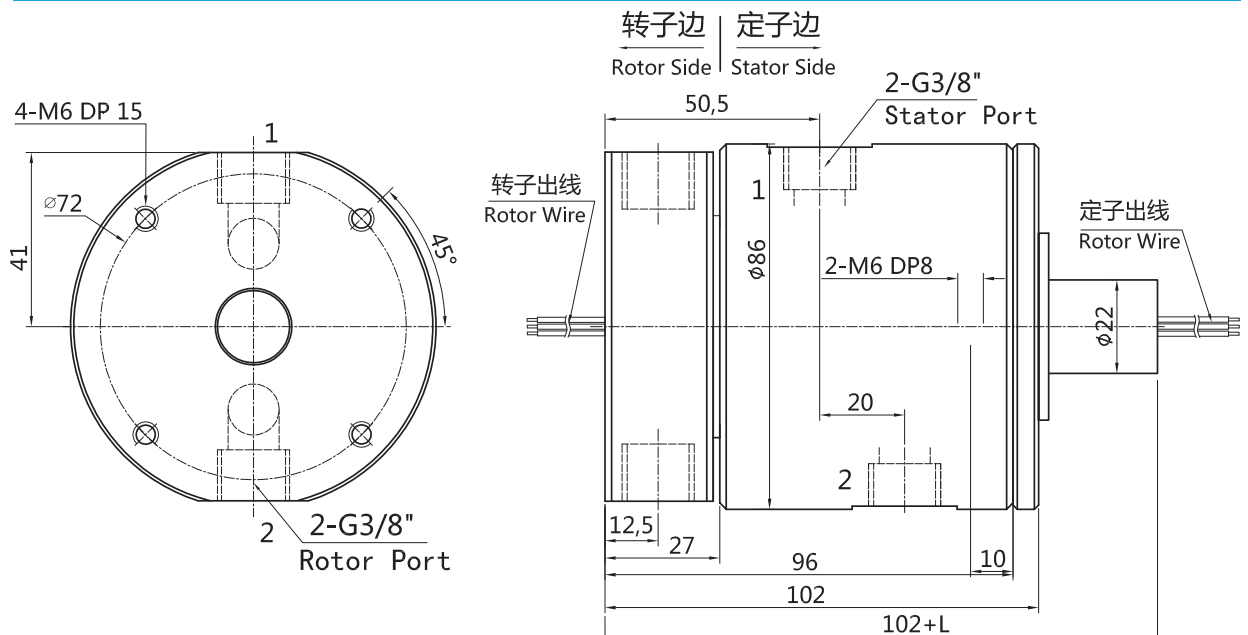
3002012 (Rotary Union Only) Drawing, 2 Passage(10~12mm pipe)



Standard Model List

Model	Passages(Gas/Flow)	Port Size	Pipe Size
3002012	2	G3/8"	10~12mm

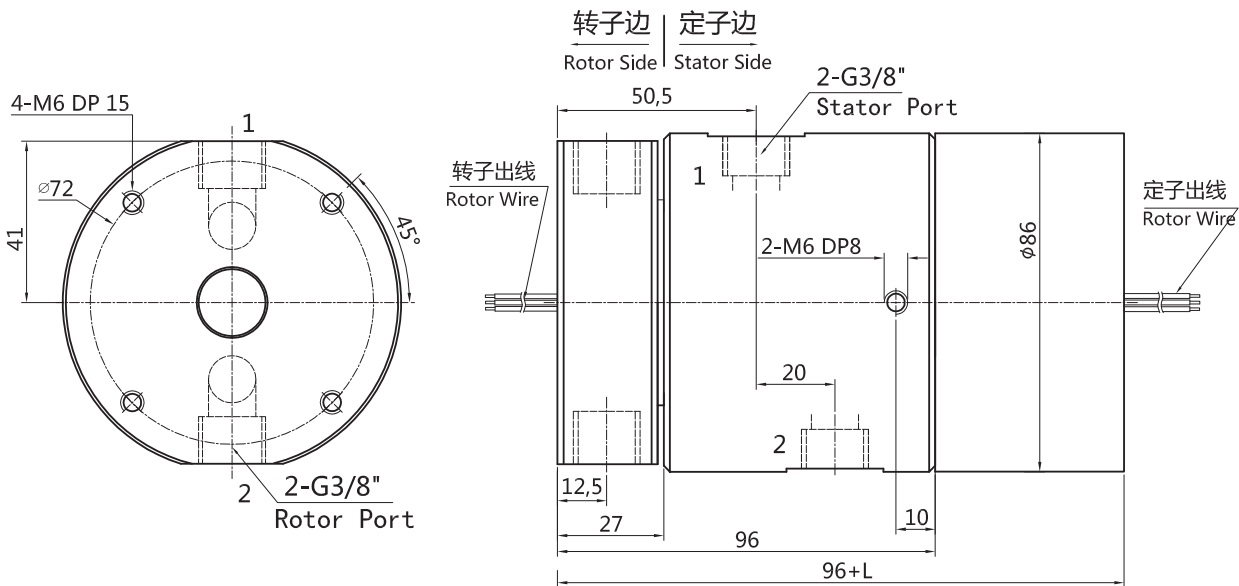
3002012-X4S 2 Passage(10~12mm pipe)
+6~56 circuits electrical signal@2A(Suitable for Solenoid valve or Sensor switch Signals)



Standard Model List

Model	Passages(Gas/Flow)	Port Size	Pipe Size	Signal Circuits(2A)	Length L(mm)
3002012-06	2	G3/8"	10~12mm	6	14
3002012-12	2	G3/8"	10~12mm	12	21
3002012-24S	2	G3/8"	10~12mm	24	35
3002012-36S	2	G3/8"	10~12mm	36	52.3
3002012-56S	2	G3/8"	10~12mm	56	82

3002012-X3AX4S 2 Passage(10~12mm pipe)+electrical power/signal(5A,10A option)



Standard Model List

Model	Passages	Port Size	Pipe Size	Circuits		Length L(mm)
				Power(10A)	Signal(2A)	
3002012-06S	2	G3/8"	10~12mm	0	6	48
3002012-0610	2	G3/8"	10~12mm	6	0	48
3002012-12S	2	G3/8"	10~12mm	0	12	72
3002012-0610-06S	2	G3/8"	10~12mm	6	6	72
3002012-1210	2	G3/8"	10~12mm	12	0	72
3002012-0610-12S	2	G3/8"	10~12mm	6	12	96
3002012-1210-06S	2	G3/8"	10~12mm	12	6	96
3002012-18S	2	G3/8"	10~12mm	0	18	96
3002012-1810	2	G3/8"	10~12mm	18	0	96
3002012-0610-18S	2	G3/8"	10~12mm	6	18	120
3002012-24S	2	G3/8"	10~12mm	0	24	120
3002012-2410	2	G3/8"	10~12mm	24	0	120
3002012-36S	2	G3/8"	10~12mm	0	36	168
3002012-1210-24S	2	G3/8"	10~12mm	12	24	168
3002012-3610	2	G3/8"	10~12mm	36	0	168
3002012-48S	2	G3/8"	10~12mm	0	48	216
3002012-1210-36S	2	G3/8"	10~12mm	12	36	216
3002012-4810	2	G3/8"	10~12mm	48	0	216
3002012-60S	2	G3/8"	10~12mm	0	60	264
3002012-1210-48S	2	G3/8"	10~12mm	12	48	264
3002012-72S	2	G3/8"	10~12mm	0	72	312

Model	Passages	Port Size	Pipe Size	Circuits		Length L(mm)
				Power(10A)	Signal(2A)	
3002012-2410-48S	2	G3/8"	10~12mm	24	48	312
3002012-84S	2	G3/8"	10~12mm	0	84	360
3002012-2410-60S	2	G3/8"	10~12mm	20	60	360
3002012-96S	2	G3/8"	10~12mm	0	96	408
3002012-108S	2	G3/8"	10~12mm	0	108	456
3002012-120S	2	G3/8"	10~12mm	0	120	504

Technical Specification

Rotary Union Specification				
Passages	2 Passage	Max. Pressure	1Mpa, Vacuum -90kPa	
Pipe size	10~12mm Pipe(G3/8")	torque	<0.2N.m	
Mechanical parameters		Electrical parameters		
Spec.	Data	Spec.	Data	
Working Life	20millions for ref (depends on working conditions)	Voltage Range	0~440VAC/MDC	0~440VAC/MDC
		Insulation Resistance	<500MΩ/300VDC	<500MΩ/300VDC
Max. Speed	250RPM continuously, 1000RPM intermittently	Lead Wire Spec.	AWG17# Silver-plated teflon wire	AWG22# Silver-plated teflon wire
		Lead Wire Length	standard 250mm(can be customized)	
Working Temp.	-30°C~80°C	Insulation Resistance	500VAC@50Hz,6s	
Work Humidity	0~85% RH	Electrical Noise	<0.01Ω	
Contact Material	precious metal	IP Grade	IP51	
Housing Material	aluminum alloy			

Color Code of Lead Wire

ring #	1	2	3	4	5	6	7	8	9	10	11	12
color	BLK	BRN	RED	ORG	YEL	GRN	BLU	PUR	GRY	WHT	PINK	LGT BLU