

## 3002004 Series 2 Passages Pnuematic/Hydraulic+Electric Rotary Unions

2 Passage(M5 port,4mm pipes)+Electrical(Power/Signal)

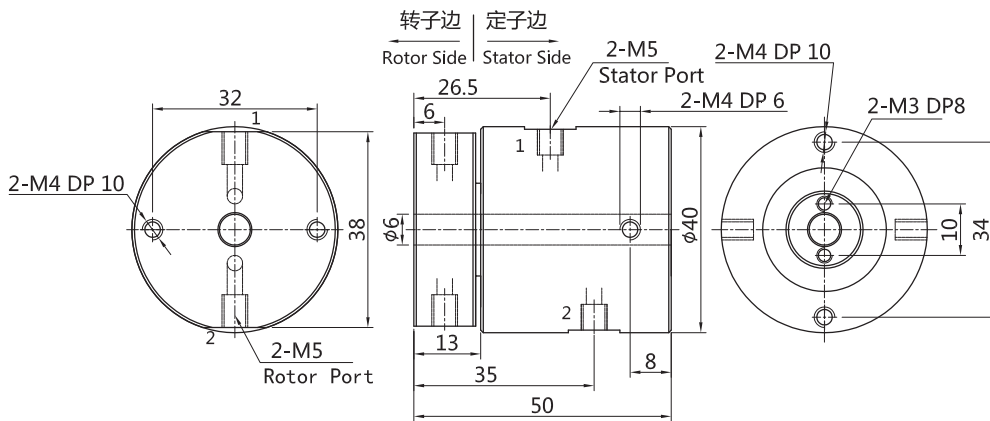


support M5 port for 4mm pipes,can transfer various mediums including compressed air,steam, vacuum,negative pressure,positive pressure,cooling water,hot oil,etc when 360° rotating , it also can combine to transmit electrical power and signal.

### Part No. Description

2 Passage Rotary Unions support 2 M5 port for 4mm pipes	<u>3002004</u> - Signal Circuits	For example: 06S:6 circuits signal@2A 12S:12 circuits signal@2A
--	----------------------------------	---

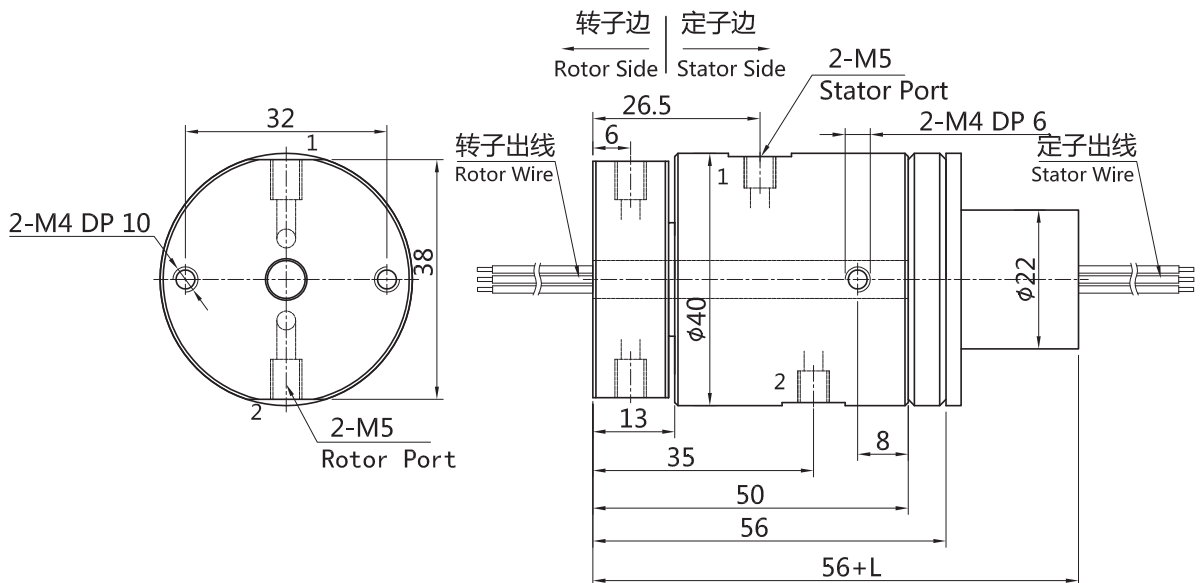
### 3002004 (Rotary Union Only) Drawing,2 Passage(4mm pipe)



### Standard Model List

Model	Passages(Gas/Flow)	Port Size	Pipe Size
3002004	2	M5	4~6mm

### 3002004-X45 2 Passage(4mm pipe)+ 6~36 circuits electrical signal@2A (Suitable for Solenoid valve or Sensor switch Signals)



## Standard Model List

Model	Passages(Gas/Flow)	Port Size	Pipe Size	Signal Circuits(2A)	Length L(mm)
3002004-06S	2	M5	4~6mm	6	14
3002004-12S	2	M5	4~6mm	12	21
3002004-24S	2	M5	4~6mm	24	35
3002004-36S	2	M5	4~6mm	36	52

## Technical Specification

Rotary Union Specification				
Passages	2 Passage(Gas/Flow)	Max. Pressure	10Mpa, Vacuum -1.5kPa	
Pipe size	4mm Pipe(M5)	torque	<0.2N.m	
Mechanical parameters		Electrical parameters		
Spec.	Data	Spec.	Data	
Working Life	20millions for ref (depends on working conditions)		Power	Signal
Max. Speed	250RPM continously, 1000RPM intermittently	Voltage Range	0~240VAC/VDC	0~240VAC/VDC
Working Temp.	-30°C~80°C	Insulation Resistance	<500MΩ/300VDC	<500MΩ/300VDC
Work Humidity	0~85% RH	Lead Wire Spec.	AWG26# Silver-plated teflon wire	AWG26# Silver-plated teflon wire
Contact Material	precious metal	Lead Wire Length	standard 250mm(can be customized)	
Housing Material	aluminum alloy	Insulation Resistance	500VAC@50Hz,6s	
IP Grade	IP51	Electrical Noise	<0.01Ω	

## Color Code of Lead Wire

ring #	1	2	3	4	5	6	7	8	9	10	11	12
color	BLK	BRN	RED	ORG	YEL	GRN	BLU	PUR	GRY	WHT	PINK	LGT BLU