

30 Series Rotary Union/Rotary Joint

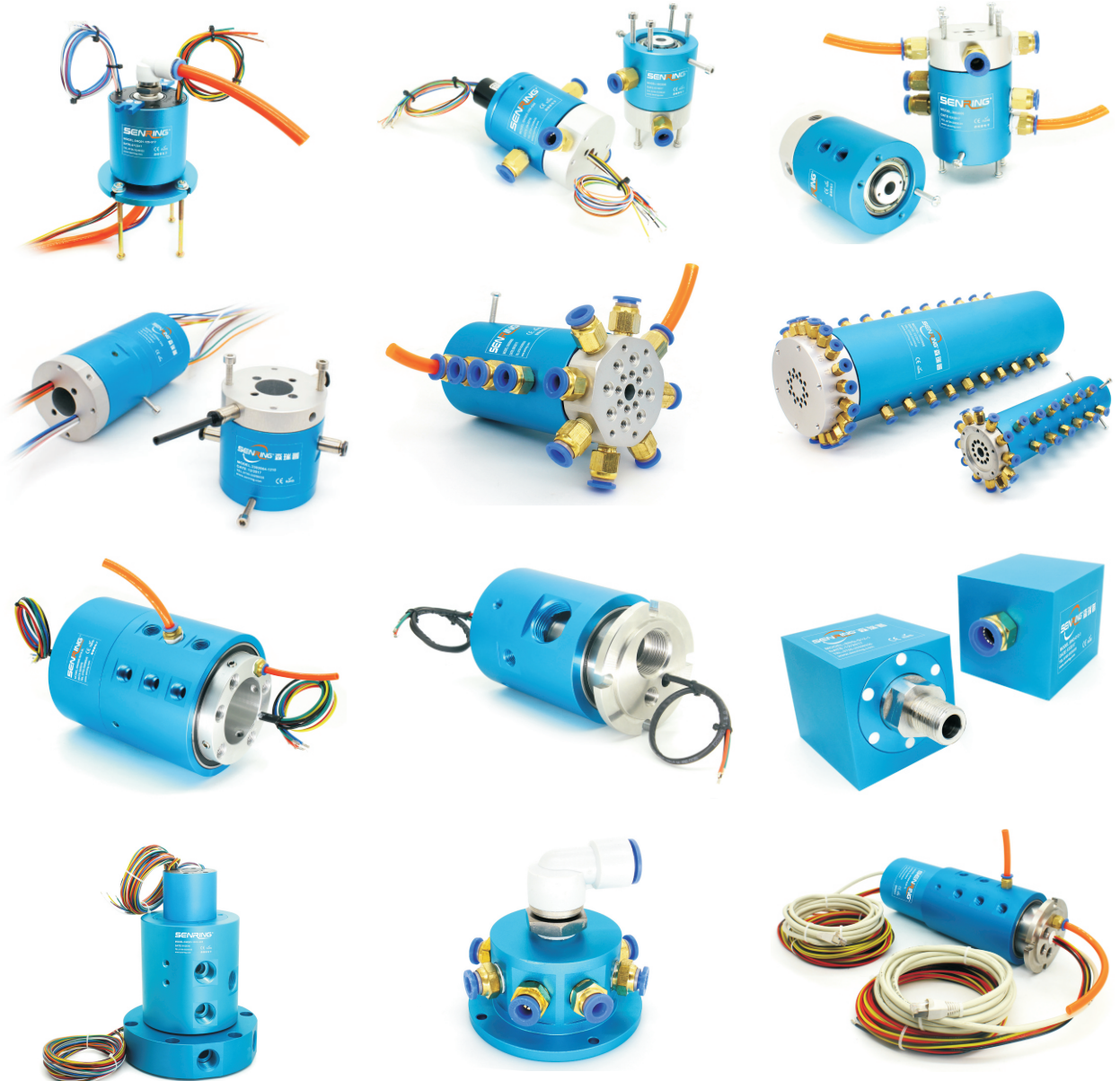
Senring 30 series rotary union is specially designed for applications which requires to transmit pneumatic(vacuum, air,gas...), hydraulic(oil, water,cold liquid...) , power and signals (Ethernet, USB, HD, encoder , control signals...) at the meantime when devices 360° rotating.

Main Features

- Transmit Pnuematic/Hydraulic,such as steam,compressed air,water,hot oil,hydraulic oil,vacuum,liquid,vitriol,drinks...etc;
- Support transmit mixed power and signals,such as USB,HDMI, 1000M ethernet, VGA, DVI, RF ,servo motor signal,industrial bus slip rings...etc;
- 1~24 Pneumatic&Flow passage +1~300 power/signal channel optional;
- Standard ports G1/8",G3/8",M5,G1/4",G1/2" optiona
- Support vavious pipes of 4mm,6mm,8mm,10mm,12mm,15mm,etc
- We can quickly modify our standard rotary unions to fit your needs



Photos of Some Products



Part No. Description

30	Passages(Gas/Flow)	Port Size	Power Circuits	Signal Circuits
30:Senring 30 series Rotary Unions				
For example: 01:1 Passage, 02:2 Passage 04:4 Passage, 06:6 Passage 08:8 Passage, 12:12 Passage 16:16 Passage, 24:24 Passage			For example: 0610:6 circuits@10A	1230:12 circuits@30A
			For example: 004 4mm Pipe(M5),006 6mm Pipe(G1/8") 008 8mm Pipe(G1/4"),010 10mm Pipe(G1/4") 012 12mm Pipe(G3/8"),015 15mm Pipe(G1/2")	For example: 06S:6 circuits signal@2A 12S:12 circuits signal@2A

Examples

3004006 : 4 gas/flow passage rotary union, port G1/8", pipe size 6~8mm

3002006-24S : 2 passage(gas/flow, G1/8" port, support 6~8mm pipe)+24 circuits electrical(0~2A power/signal)

3001008-1205 : one passage (gas/flow, G1/4" port, support 8~10mm pipe), 12 circuits electrical(0~5A)

Model List

one passage(1 in 1 out, 1 in 8 out option) rotary union Model Lists				
Model List	Passages(Gas/Flow)	Port Size	Pipe Size	Circuits (power/signal)
3001004-X3A X4S	1	M5	4~6mm	2~96 circuits optional
3001008-X3A X4S	1	G1/4"	8~10mm	
3001015-X3A X4S	1	G1/2"	12~15mm	
3801015-X3A X4S	1 in 8 out	1 in(G1/2") 8 out(G1/8")	1 in(15mm) 8 out(8mm)	

Pneumatic,Hydraulic-Electrical Rotary Unions/Rotary Joints (M5 port) Model Lists				
Model List	Passages(Gas/Flow)	Port Size	Pipe Size	Circuits (power/signal)
3002004	2Passages	M5	4mm	2~72 circuits optional
3004004	4Passages	M5	4mm	
3008004	8Passages	M5	4mm	
3012004	12Passages	M5	4mm	
3016004	16Passages	M5	4mm	
3024004	24Passages	M5	4mm	

Pneumatic,Hydraulic-Electrical Rotary Unions/Rotary Joints (G1/8" port) Model Lists				
Model List	Passages(Gas/Flow)	Port Size	Pipe Size	Circuits (power/signal)
3002006	2Passages	G1/8"	6~8mm	2~72 circuits optional
3302006	2Passages(hode size:30mm)	G1/8"	6~8mm	
3004006	4Passages	G1/8"	6~8mm	
3006006	6Passages	G1/8"	6~8mm	
3008006	8Passages	G1/8"	6~8mm	
3012006	12Passages	G1/8"	6~8mm	

Pneumatic,Hydraulic-Electrical Rotary Unions/Rotary Joints (G3/8" port) Model Lists				
Model List	Passages(Gas/Flow)	Port Size	Pipe Size	Circuits (power/signal)
3002012	2Passages	G3/8"	10~12mm	2~72 circuits optional
3004012	4Passages	G3/8"	10~12mm	
3008012	8Passages	G3/8"	10~12mm	
3012012	12Passages	G3/8"	10~12mm	

Installation

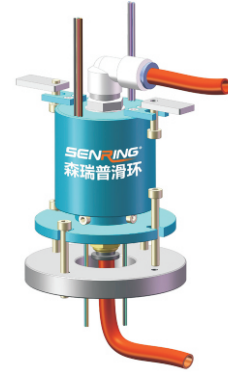
Multiple mounting screw holes available on both rotor and stator side, customer can install according needs.



Rotary Union Installation



Pneumatic,hydraulic-Electrical rotary joints Installation(Without flange)



Pneumatic,hydraulic-Electrical rotary joints Installation((Flange)

Color Code of Lead Wire

ring #	1	2	3	4	5	6	7	8	9	10	11	12
color	BLK	BRN	RED	ORG	YEL	GRN	BLU	PUR	GRY	WHT	PINK	LGT BLU
ring #	13	14	15	16	17	18	19	20	21	22	23	24
color	WHT/BLK	WHT/BRN	WHT/RED	WHT/ORG	WHT/YEL	WHT/GRN	WHT/BLU	WHT/PUR	WHT/GRY	BLK/RED	BLK/BRN	Transparent

3001008 Series 1-Passages Rotary Unions



1 Passage(G1/4" port,8~10mm pipes)+Electrical(Power/Signal)

support G1/2" port for 12~15mm pipes,can transfer various mediums including compressed air,steam,vacuum,negative pressure,positive pressure,cooling water,hot oil,etc when 360° rotating , it also can combine to transmit electrical power and signal.

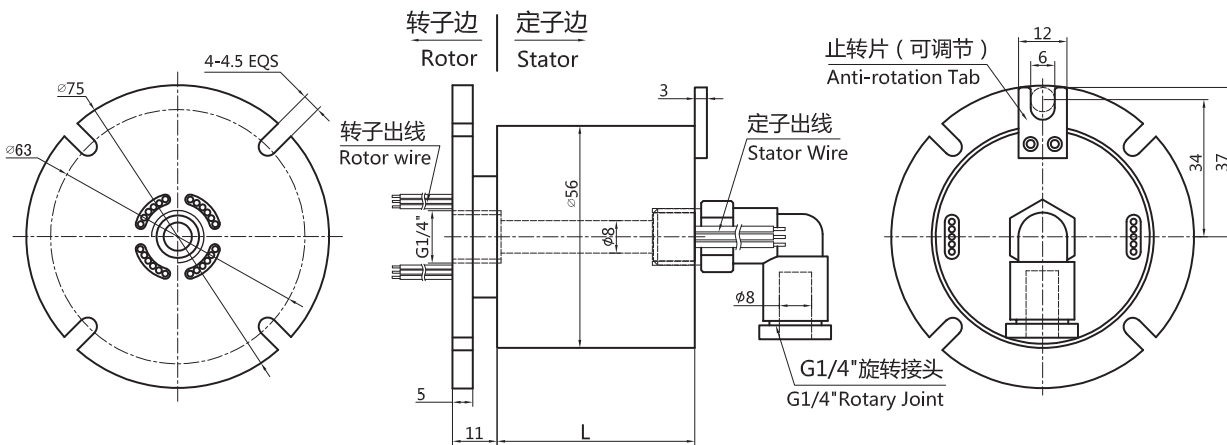
Part No. Description

3001008 - Power Circuits - Signal Circuits

1 Passage Rotary Unions
G1/4" port ,8~10mm pipes

For example:
0610:6 circuits@10A 1230:12 circuits@30A

For example:
06S:6 circuits signal@2A
12S:12 circuits signal@2A



Standard Model List

Model	Passages	Circuits		Length L(mm)
		Power(10A)	Signal(0~5A)	
3001008-02S	1	0	2	27
3001008-0210	1	2	0	27
3001008-03S	1	0	3	30
3001008-0310	1	3	0	30
3001008-06	1	0	6	38
3001008-0210-04S	1	2	4	38
3001008-0410-02S	1	4	2	38
3001008-0610	1	6	0	38
3001008-12S	1	0	12	55
3001008-0210-10S	1	2	10	55
3001008-0310-09S	1	3	9	55
3001008-0610-06S	1	6	6	55
3001008-0810-04S	1	8	4	55
3001008-1010-02S	1	10	2	55
3001008-1210	1	12	0	55
3001008-18S	1	0	18	71.5
3001008-0210-16S	1	2	16	71.5

Model	Passages	Circuits		Length L(mm)
		Power(10A)	Signal(0~5A)	
3001008-0410-14S	1	4	14	71.5
3001008-0610-12S	1	6	12	71.5
3001008-0810-10S	1	8	10	71.5
3001008-1010-08S	1	10	8	71.5
3001008-1210-06S	1	12	6	71.5
3001008-1410-04S	1	14	4	71.5
3001008-1610-02S	1	16	2	71.5
3001008-24S	1	0	24	88.5
3001008-0410-20S	1	4	20	88.5
3001008-0610-18S	1	6	18	88.5
3001008-1210-12S	1	12	12	88.5
3001008-1810-06S	1	18	6	88.5
3001008-2410	1	24	0	88.5
3001008-30S	1	0	30	105
3001008-0210-28S	1	2	28	104
3001008-0410-26S	1	4	26	104
3001008-0610-24S	1	6	24	104
3001008-36S	1	0	36	122
3001008-0410-32S	1	4	32	122
3001008-0610-30S	1	6	30	122
3001008-42S	1	0	42	139
3001008-0410-38S	1	4	38	140
3001008-48S	1	0	48	156
3001008-56S	1	0	48	178
3001008-72S	1	0	48	223

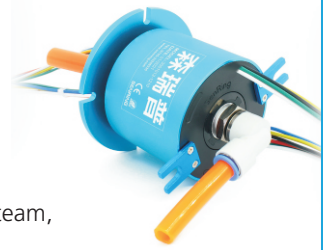
Technical Specification

Rotary Union Specification				
Passages	1 Passage(Gas/Flow)	Max. Pressure	10Mpa, Vacuum -1.5kPa	
Pipe size	8mm Pipe(G1/4")	torque	<0.2N.m	
Mechanical parameters		Electrical parameters		
Spec.	Data	Spec.	Data	
Working Life	20millions for ref (depends on working conditions)		Voltage Range	Power
Max. Speed	250RPM continously, 1000RPM intermittently	Insulation Resistance	0~440VAC/VDC	0~440VAC/VDC
Working Temp.	-30°C~80°C	Lead Wire Spec.	AWG17# Silver-plated teflon wire	AWG22# Silver-plated teflon wire
Work Humidity	0~85% RH	Lead Wire Length	standard 200mm(can be customized)	
Contact Material	precious metal	Insulation Resistance	500VAC@50Hz,6s	
Housing Material	aluminum alloy	Electrical Noise	<0.01Ω	
IP Grade	IP51			

Color Code of Lead Wire

ring #	1	2	3	4	5	6	7	8	9	10	11	12
color	BLK	BRN	RED	ORG	YEL	GRN	BLU	PUR	GRY	WHT	PINK	LGT BLU

3001012 Series 1-Passages Rotary Unions



1 Passage(G3/8" port,10~12mm pipes)+Electrical(Power/Signal)

support G1/2" port for 12~15mm pipes,can transfer various mediums including compressed air,steam, vacuum,negative pressure,positive pressure,cooling water,hot oil,etc when 360° rotating , it also can combine to transmit electrical power and signal.

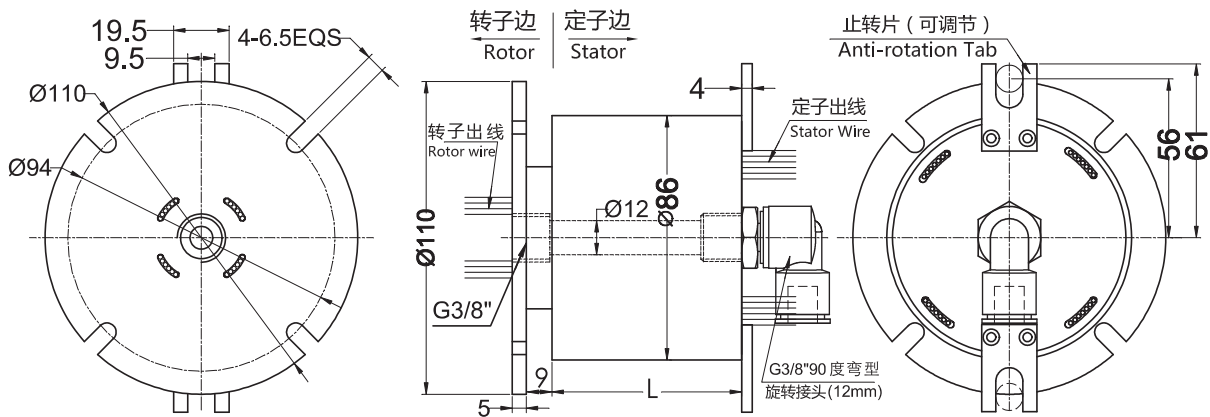
Part No. Description

1 Passage Rotary Unions
G3/8" port ,10~12mm pipes

For example:
0610:6 circuits@10A 1230:12 circuits@30A

3001012 - Power Circuits - Signal Circuits

For example:
06S:6 circuits signal@2A
12S:12 circuits signal@2A



Standard Model List

Model	Passages	Circuits		Length L(mm)
		Power(10A)	Signal(0~5A)	
3001012-02S	1	0	2	32
3001012-0210	1	2	0	32
3001012-03S	1	0	3	36
3001012-0310	1	3	0	36
3001012-06S	1	0	6	48
3001012-0210-04S	1	2	4	48
3001012-0410-02S	1	4	2	48
3001012-0610	1	6	0	48
3001012-12S	1	0	12	72
3001012-0210-10S	1	2	10	72
3001012-0310-09S	1	3	9	72
3001012-0610-06S	1	6	6	72
3001012-0810-04S	1	8	4	72
3001012-1010-02S	1	10	2	72
3001012-1210	1	12	0	72
3001012-18S	1	0	18	96
3001012-0210-16S	1	2	16	96
3001012-0410-14S	1	4	14	96
3001012-0610-12S	1	6	12	96
3001012-0810-10S	1	8	10	96
3001012-1010-08S	1	10	8	96
3001012-1210-06S	1	12	6	96
3001012-1410-04S	1	14	4	96
3001012-1610-02S	1	16	2	96

Model	Passages	Circuits		Length L(mm)
		Power(10A)	Signal(0~5A)	
3001012-24S	1	0	24	120
3001012-0410-20S	1	4	20	120
3001012-0610-18S	1	6	18	120
3001012-1210-12S	1	12	12	120
3001012-1810-06S	1	18	6	120
3001012-2410	1	24	0	120
3001012-30S	1	0	30	144
3001012-0610-24S	1	6	24	144
3001012-1210-18S	1	12	18	144
3001012-1810-12S	1	18	12	144
3001012-2410-06S	1	24	6	144
3001012-3010	1	30	0	144
3001012-36S	1	0	36	168
3001012-0610-30S	1	6	30	168
3001012-1210-24S	1	12	24	168
3001012-3610	1	36	0	168
3001012-42S	1	0	42	192
3001012-0610-36S	1	6	36	192
3001012-1210-30S	1	12	30	192
3001012-48S	1	0	48	216
3001012-0610-42S	1	6	42	216
3001012-1010-38S	1	10	38	216
3001012-1210-36S	1	12	36	216
3001012-1810-30S	1	18	30	216
3001012-2410-24S	1	24	24	216
3001012-60S	1	0	60	264
3001012-0610-54S	1	6	54	264
3001012-1010-50S	1	10	50	264
3001012-72S	1	0	72	312
3001012-96S	1	0	96	408

Technical Specification

Rotary Union Specification					
Passages	1 Passage(Gas/Flow)	Max. Pressure	10Mpa, Vacuum -1.5kPa		
Pipe size	12mm Pipe(G3/8")	torque	<0.2N.m		
Mechanical parameters		Electrical parameters			
Spec.	Data	Spec.	Data		
Working Life	20millions for ref (depends on working conditions)		Power	Signal	
		Voltage Range	0~440VAC/VDC	0~440VAC/VDC	
Max. Speed	250RPM continously, 1000RPM intermittently	Insulation Resistance	<500MΩ/300VDC	<500MΩ/300VDC	
		Lead Wire Spec.	AWG17# Silver-plated teflon wire	AWG22# Silver-plated teflon wire	
Working Temp.	-30°C~80°C	Lead Wire Length	standard 200mm(can be customized)		
Work Humidity	0~85% RH	Insulation Resistance	500VAC@50Hz,6s		
Contact Material	precious metal	Electrical Noise	<0.01Ω		
Housing Material	aluminum alloy				
IP Grade	IP51				

Color Code of Lead Wire

ring #	1	2	3	4	5	6	7	8	9	10	11	12
color	BLK	BRN	RED	ORG	YEL	GRN	BLU	PUR	GRY	WHT	PINK	LGT BLU

3001004 Series 1-Passages Rotary Unions

1 passage(M5 port,4mm pipes)+Electrical(Power/Signal)

support M5 port for 4mm pipes,can transfer various mediums including compressed air,steam, vacuum,negative pressure,positive pressure,cooling water,hot oil,etc when 360° rotating , it also can combine to transmit electrical power and signal.



3001004 Series

Part No. Description

1 Passage Rotary Unions
M5 port ,4mm pipes

For example:

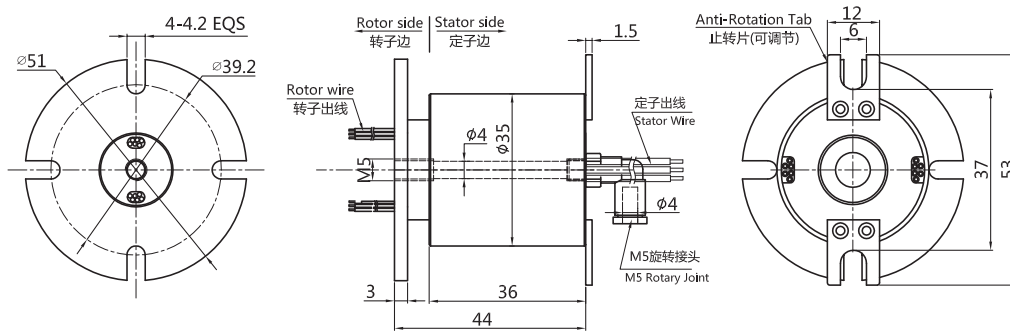
0610:6 circuits@10A 1230:12 circuits@30A

3001004 - Power Circuits - Signal Circuits

For example:

06S:6 circuits signal@2A

12S:12 circuits signal@2A



Standard Model List

Model	Passages	Circuits		Length L(mm)
		Power(10A)	Signal(0~5A)	
3001004-06S	1	0	6	36
3001004-08S	1	0	8	36
3001004-0610	1	6	0	36
3001004-12S	1	0	12	36

Technical Specification

Rotary Union Specification			
Passages	1 Passage(Gas/Flow)	Max. Pressure	10Mpa, Vacuum -1.5kPa
Pipe size	4mm Pipe(M5)	torque	<0.2N.m
Mechanical parameters		Electrical parameters	
Spec.	Data	Spec.	Data
Working Life	10millions for ref (depends on working conditions)	Voltage Range	0~440VAC/VDC
		Insulation Resistance	<500M Ω /300VDC
Max. Speed	250RPM continously, 1000RPM intermittently	Lead Wire Spec.	AWG17# Silver-plated teflon wire
		Lead Wire Length	standard 200mm(can be customized)
Working Temp.	-30°C~80°C	Insulation Resistance	500VAC@50Hz,6s
Work Humidity	0~85% RH	Electrical Noise	<0.01 Ω
Contact Material	precious metal		
Housing Material	aluminum alloy		
IP Grade	IP51		

Color Code of Lead Wire

ring #	1	2	3	4	5	6	7	8	9	10	11	12
color	BLK	BRN	RED	ORG	YEL	GRN	BLU	PUR	GRY	WHT	PINK	LGT BLU

30 Series Rotary Union/Rotary Joint

3801015 Series 1 In 8 Out Rotary Union

1 In 8 Out, support 1 inlet G1/2 for 15mm pipe and 8 outlet G1/8 for 8mm pipe

support 1 inlet G1/2 for 15mm pipe and 8 outlet G1/8 for 8mm pipes, can transfer various mediums including compressed air, steam, vacuum, negative pressure, positive pressure, cooling water, hot oil, etc when 360° rotating, it also can combine to transmit electrical power and signal.

Part No. Description

1 Passage Rotary Unions
1 In 8 Out Rotary Union
1 Inlet (15mm Pipe, G 1/2" Port)
8 Outlet (8mm Pipe, G1/8" Port)

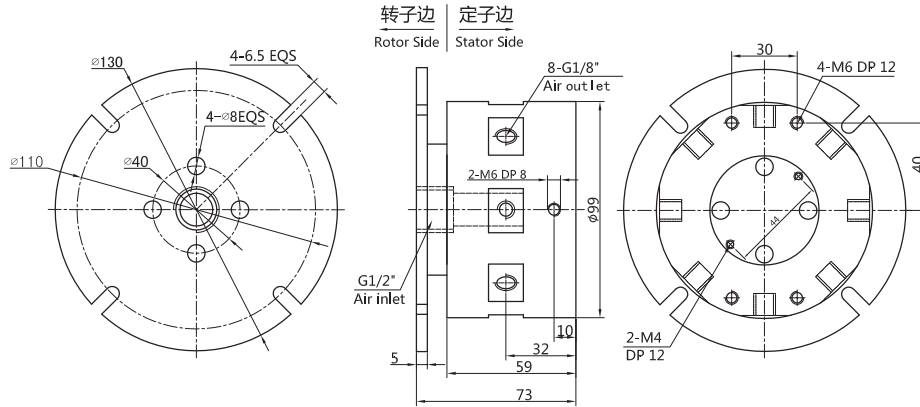
3801015 - Power Circuits - Signal Circuits

For example:

06S:6 circuits signal@2A
12S:12 circuits signal@2A

For example:

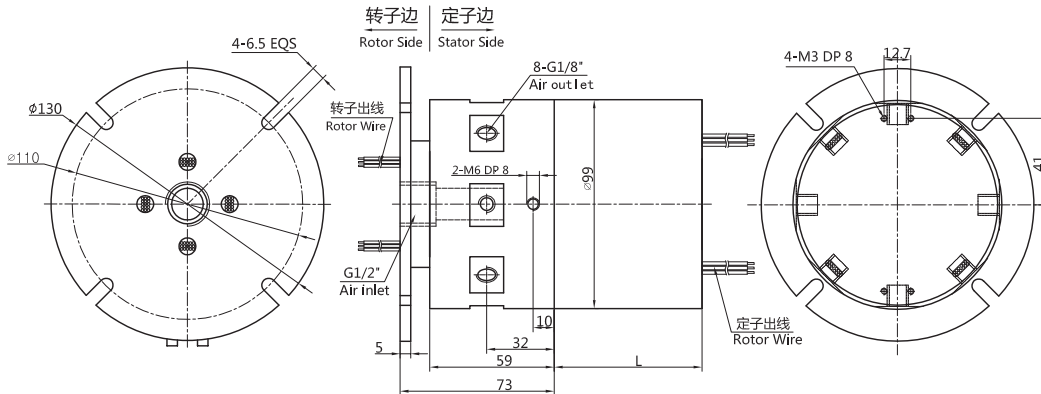
0610:6 circuits@10A 1230:12 circuits@30A



Standard Model List

Model	Passages(Gas/Flow)	Port Size	Pipe Size
3801015	1 In 8 Out	1 Inlet (G 1/2" Port) 8 Outlet (G 1/8" Port)	1 Inlet (15mm Pipe) 8 Outlet (8mm Pipe)

3801015-X4S 1 Passage(Inlet 15mm,Outlet 8mm)
+2~96 circuits electrical signal@2A (Suitable for Solenoid valve or Sensor switch Signals)



Standard Model List

Model	Passages	Circuits		Length L(mm)
		Power(10A)	Signal(0~5A)	
3801015-02S	1 In 8 Out	0	2	32
3801015-0210	1 In 8 Out	2	0	32
3801015-03S	1 In 8 Out	0	3	36
3801015-0310	1 In 8 Out	3	0	36
3801015-06S	1 In 8 Out	0	6	48
3801015-0210-04S	1 In 8 Out	2	4	48
3801015-0410-02S	1 In 8 Out	4	2	48
3801015-0610	1 In 8 Out	6	0	48
3801015-12S	1 In 8 Out	0	12	72
3801015-0210-10S	1 In 8 Out	2	10	72
3801015-0310-09S	1 In 8 Out	3	9	72

Model	Passages	Circuits		Length L(mm)
		Power(10A)	Signal(0~5A)	
3801015-0610-06S	1 In 8 Out	6	6	72
3801015-0810-04S	1 In 8 Out	8	4	72
3801015-1010-02S	1 In 8 Out	10	2	72
3801015-1210-12S	1 In 8 Out	12	12	120
3801015-1810-06S	1 In 8 Out	18	6	120
3801015-2410	1 In 8 Out	24	0	120
3801015-30S	1 In 8 Out	0	30	144
3801015-0610-24S	1 In 8 Out	6	24	144
3801015-1210-18S	1 In 8 Out	12	18	144
3801015-1810-12S	1 In 8 Out	18	12	144
3801015-2410-06S	1 In 8 Out	24	6	144
3801015-3010	1 In 8 Out	30	0	144
3801015-36S	1 In 8 Out	0	36	168
3801015-0610-30S	1 In 8 Out	6	30	168
3801015-1210-24S	1 In 8 Out	12	24	168
3801015-3610	1 In 8 Out	36	0	168
3801015-42S	1 In 8 Out	0	42	192
3801015-1210	1 In 8 Out	12	0	72
3801015-18S	1 In 8 Out	0	18	96
3801015-0210-16S	1 In 8 Out	2	16	96
3801015-0410-14S	1 In 8 Out	4	14	96
3801015-0610-12S	1 In 8 Out	6	12	96
3801015-0810-10S	1 In 8 Out	8	10	96
3801015-1010-08S	1 In 8 Out	10	8	96
3801015-1210-06S	1 In 8 Out	12	6	96
3801015-1410-04S	1 In 8 Out	14	4	96
3801015-1610-02S	1 In 8 Out	16	2	96
3801015-24S	1 In 8 Out	0	24	120
3801015-0410-20S	1 In 8 Out	4	20	120
3801015-0610-18S	1 In 8 Out	6	18	120
3801015-0610-36S	1 In 8 Out	6	36	192
3801015-1210-30S	1 In 8 Out	12	30	192
3801015-48S	1 In 8 Out	0	48	216
3801015-0610-42S	1 In 8 Out	6	42	216
3801015-1010-38S	1 In 8 Out	10	38	216
3801015-1210-36S	1 In 8 Out	12	36	216
3801015-1810-30S	1 In 8 Out	18	30	216
3801015-2410-24S	1 In 8 Out	24	24	216
3801015-60S	1 In 8 Out	0	60	264
3801015-0610-54S	1 In 8 Out	6	54	264
3801015-1010-50S	1 In 8 Out	10	50	264
3801015-72S	1 In 8 Out	0	72	312
3801015-96S	1 In 8 Out	0	96	408

Technical Specification

Rotary Union Specification			
Passages	1 In 8 Out	Max. Operating Pressure	Positive Pressure 10Mpa, Vacuum -1.5kPa
Pipe size	1 Inlet (15mm Pipe,G 1/2" Port) 8 Outlet (8mm Pipe,G1/8" Port)	torque	<0.35N.m
Mechanical parameters		Electrical parameters	
spec.	data	Spec.	Data
Working Life	20millions for ref(depends on working conditions)		Power
Max. Operating Speed	250RPM continuously, 1000RPM intermittently	Voltage Range	0~440VAC/VDC
Working Temp.	-30°C~80°C	Insulation Resistance	<500MΩ/300VDC
Work Humidity	0~85% RH	Lead Wire Spec.	AWG17# Silver-plated teflon wire
Contact Material	precious metal	Lead Wire Length	standard 250mm(can be customized)
Housing Material	aluminum alloy	Insulation Resistance	500VAC@50Hz,6s
IP Grade	IP51	Electrical Noise	<0.01Ω

Color Code of Lead Wire

ring #	1	2	3	4	5	6	7	8	9	10	11	12
color	BLK	BRN	RED	ORG	YEL	GRN	BLU	PUR	GRY	WHT	PINK	LGT BLU

3002004 Series 2 Passages Pnuematic/Hydraulic+Electric Rotary Unions

2 Passage(M5 port,4mm pipes)+Electrical(Power/Signal)

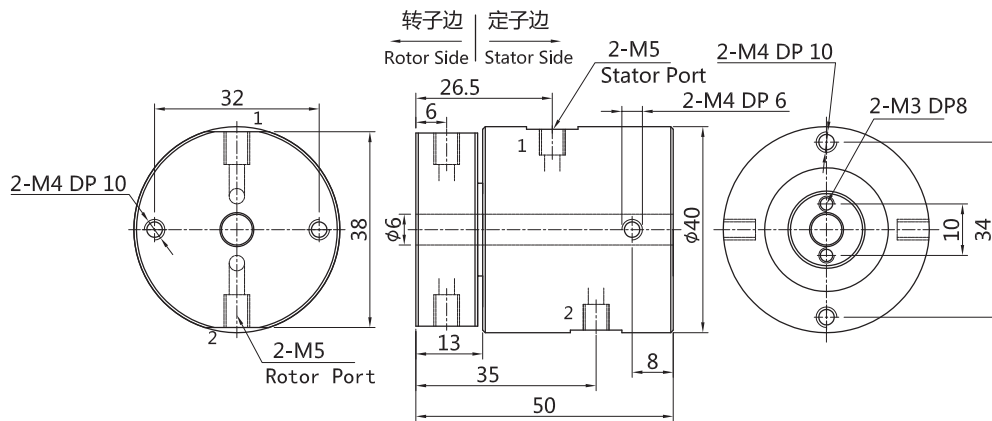


support M5 port for 4mm pipes,can transfer various mediums including compressed air,steam, vacuum,negative pressure,positive pressure,cooling water,hot oil,etc when 360° rotating , it also can combine to transmit electrical power and signal.

Part No. Description

2 Passage Rotary Unions support 2 M5 port for 4mm pipes	3002004 - Signal Circuits	For example: 06S:6 circuits signal@2A 12S:12 circuits signal@2A
--	---------------------------	---

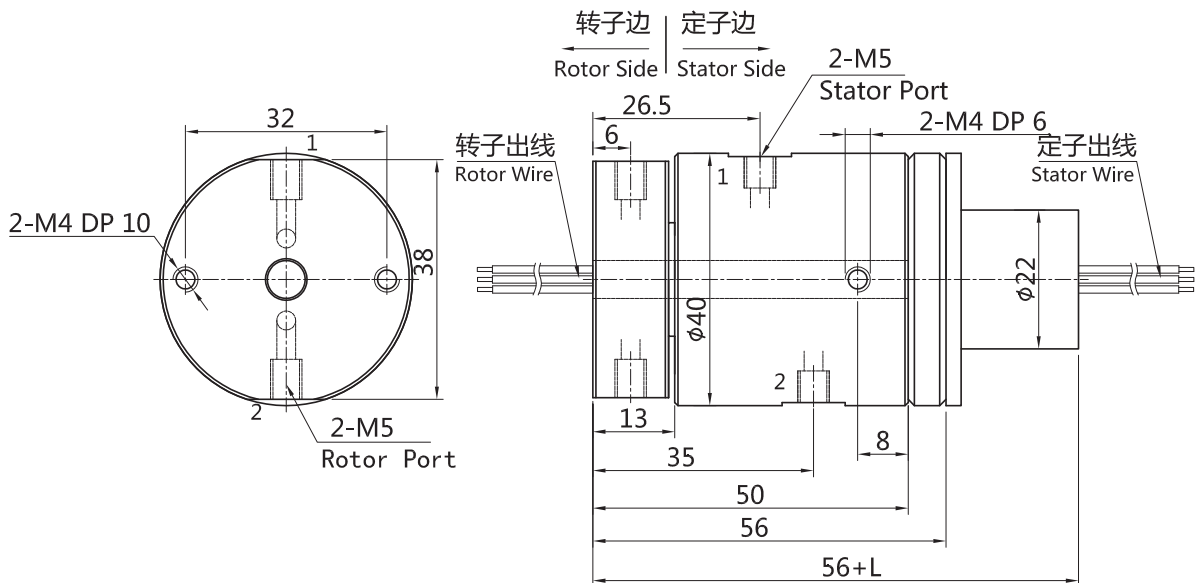
3002004 (Rotary Union Only) Drawing,2 Passage(4mm pipe)



Standard Model List

Model	Passages(Gas/Flow)	Port Size	Pipe Size
3002004	2	M5	4~6mm

3002004-X45 2 Passage(4mm pipe)+ 6~36 circuits electrical signal@2A (Suitable for Solenoid valve or Sensor switch Signals)



Standard Model List

Model	Passages(Gas/Flow)	Port Size	Pipe Size	Signal Circuits(2A)	Length L(mm)
3002004-06S	2	M5	4~6mm	6	14
3002004-12S	2	M5	4~6mm	12	21
3002004-24S	2	M5	4~6mm	24	35
3002004-36S	2	M5	4~6mm	36	52

Technical Specification

Rotary Union Specification				
Passages	2 Passage(Gas/Flow)	Max. Pressure	10Mpa, Vacuum -1.5kPa	
Pipe size	4mm Pipe(M5)	torque	<0.2N.m	
Mechanical parameters		Electrical parameters		
Spec.	Data	Spec.	Data	
Working Life	20millions for ref (depends on working conditions)		Power	Signal
Max. Speed	250RPM continously, 1000RPM intermittently	Voltage Range	0~240VAC/VDC	0~240VAC/VDC
Working Temp.	-30°C~80°C	Insulation Resistance	<500MΩ/300VDC	<500MΩ/300VDC
Work Humidity	0~85% RH	Lead Wire Spec.	AWG26# Silver-plated teflon wire	AWG26# Silver-plated teflon wire
Contact Material	precious metal	Lead Wire Length	standard 250mm(can be customized)	
Housing Material	aluminum alloy	Insulation Resistance	500VAC@50Hz,6s	
IP Grade	IP51	Electrical Noise	<0.01Ω	

Color Code of Lead Wire

ring #	1	2	3	4	5	6	7	8	9	10	11	12
color	BLK	BRN	RED	ORG	YEL	GRN	BLU	PUR	GRY	WHT	PINK	LGT BLU

3004004 Series 4 Passages Pnuematic/Hydraulic+Electric Rotary Unions

4 Passage(M5 port,4mm pipes)+Electrical(Power/Signal)

support M5 port for 4mm pipes,can transfer various mediums including compressed air,steam,vacuum,negative pressure,positive pressure,cooling water,hot oil,etc when 360° rotating , it also can combine to transmit electrical power and signal.



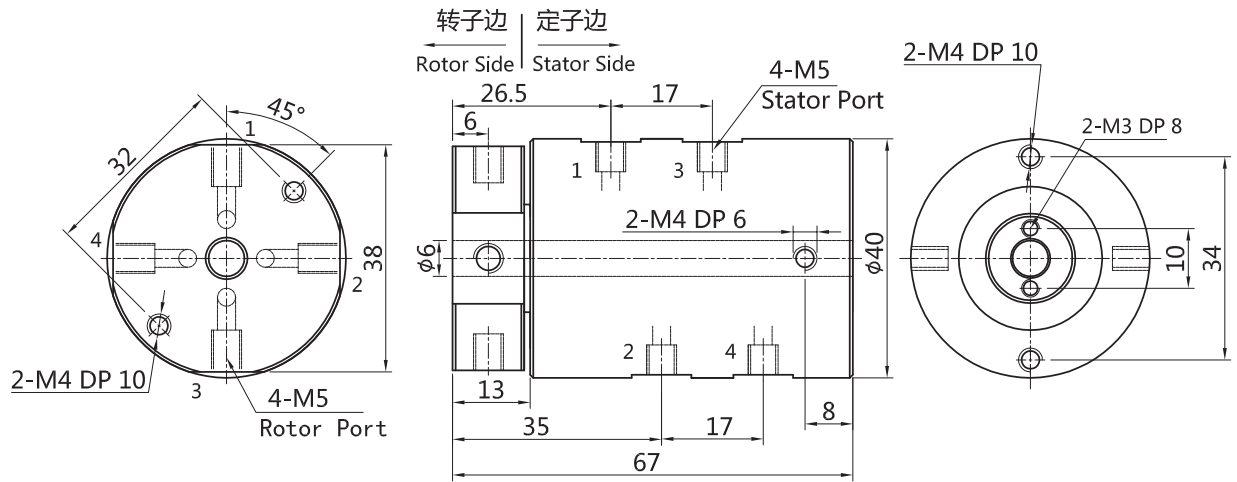
Part No. Description

3004004 - Signal Circuits

4 Passage Rotary Unions
support 4 M5 port for 4mm pipes

For example:
06S:6 circuits signal@2A
12S:12 circuits signal@2A

3004004 (Rotary Union Only) Drawing,4 Passage(4mm pipe)

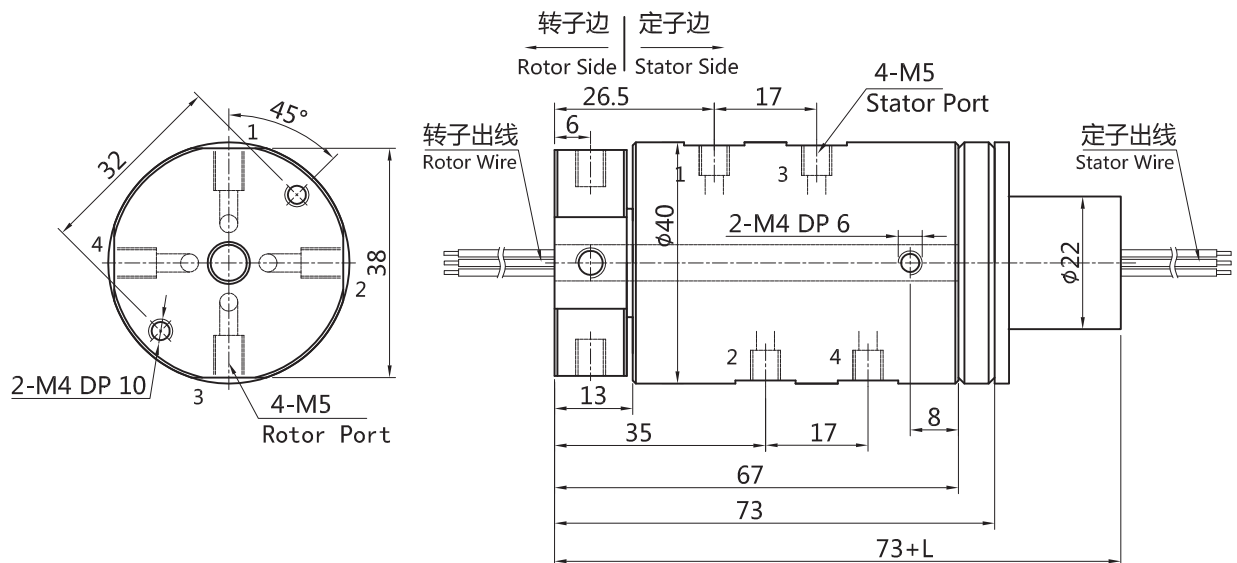


Standard Model List

Model	Passages(Gas/Flow)	Port Size	Pipe Size
3004004	4	M5	4~6mm

3004004-X4S 4 Passage(4mm pipe)

+6~36 circuits electrical signal@2A (Suitable for Solenoid valve or Sensor switch Signals)



Standard Model List

Model	Passages(Gas/Flow)	Port Size	Pipe Size	Signal Circuits(2A)	Length L(mm)
3004004-06S	4	M5	4~6mm	6	14
3004004-12S	4	M5	4~6mm	12	21
3004004-24S	4	M5	4~6mm	24	35
3004004-36S	4	M5	4~6mm	36	52

Technical Specification

Rotary Union Specification				
Passages	4 Passage(Gas/Flow)	Max. Pressure	10Mpa, Vacuum -1.5kPa	
Pipe size	4mm Pipe(M5)	torque	<0.4N.m	
Mechanical parameters		Electrical parameters		
Spec.	Data	Spec.	Data	
Working Life	20millions for ref (depends on working conditions)		Voltage Range	Power
Max. Speed	250RPM continuously, 1000RPM intermittently	Insulation Resistance	0~240VAC/VDC	0~240VAC/VDC
Working Temp.	-30°C~80°C	Lead Wire Spec.	<500MΩ/300VDC	<500MΩ/300VDC
Work Humidity	0~85% RH	Lead Wire Length	AWG26# Silver-plated teflon wire	AWG26# Silver-plated teflon wire
Contact Material	precious metal	Insulation Resistance	standard 250mm(can be customized)	
Housing Material	aluminum alloy	Electrical Noise	500VAC@50Hz,6s	
IP Grade	IP51		<0.01Ω	

Color Code of Lead Wire

ring #	1	2	3	4	5	6	7	8	9	10	11	12
color	BLK	BRN	RED	ORG	YEL	GRN	BLU	PUR	GRY	WHT	PINK	LGT BLU

3008004 Series 8 Passages Pnuematic/Hydraulic+Electric Rotary Unions

8 Passage(M5 port,4mm pipes)+Electrical(Power/Signal)

support M5 port for 4mm pipes,can transfer various mediums including compressed air,steam,vacuum,negative pressure,positive pressure,cooling water,hot oil,etc when 360° rotating , it also can combine to transmit electrical power and signal.



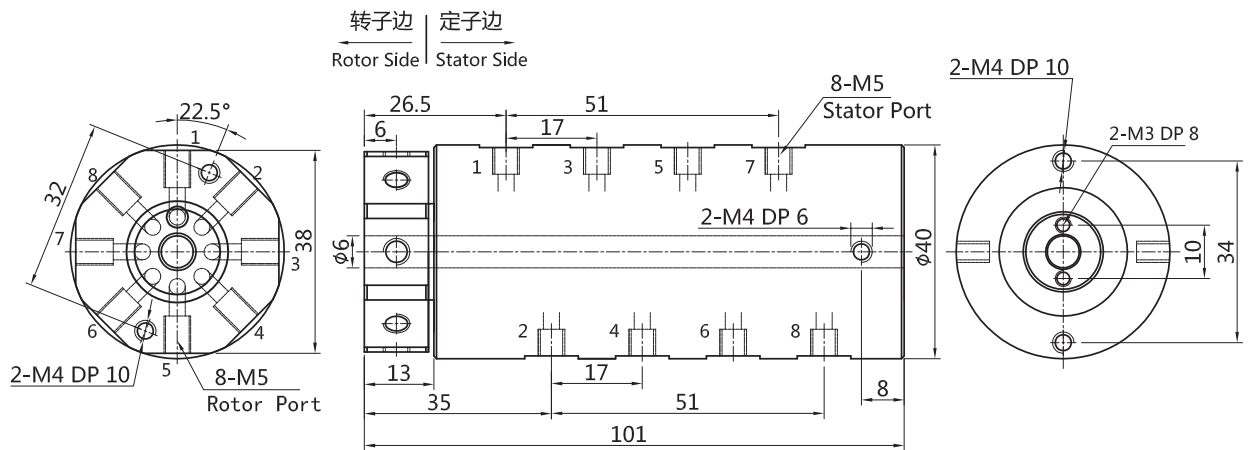
Part No. Description

3008004 - Signal Circuits

8 Passage Rotary Unions
support 8 M5 port for 4mm pipes

For example:
06S:6 circuits signal@2A
12S:12 circuits signal@2A

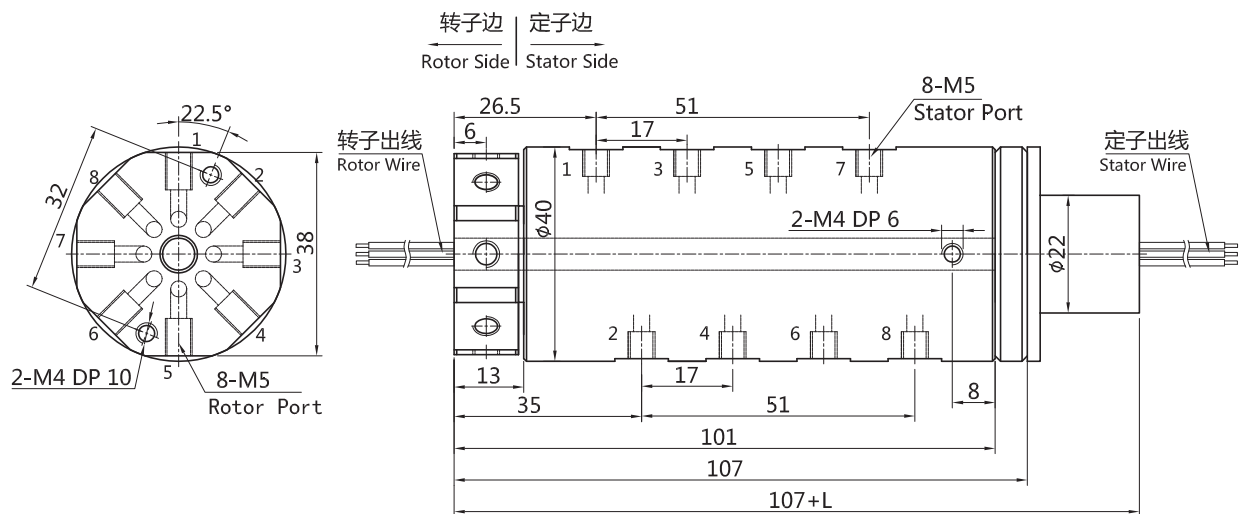
3008004 (Rotary Union Only) Drawing,8 Passage(4mm pipe)



Standard Model List

Model	Passages(Gas/Flow)	Port Size	Pipe Size
3008004	8	M5	4~6mm

3008004-X4S 8 Passage(4mm pipe)
+6~36 circuits electrical signal@2A (Suitable for Solenoid valve or Sensor switch Signals)



Standard Model List

Model	Passages(Gas/Flow)	Port Size	Pipe Size	Signal Circuits(2A)	Length L(mm)
3008004-06S	8	M5	4~6mm	6	14
3008004-12S	8	M5	4~6mm	12	21
3008004-24S	8	M5	4~6mm	24	35
3008004-36S	8	M5	4~6mm	36	52

Technical Specification

Rotary Union Specification				
Passages	8 Passage(Gas/Flow)	Max. Pressure	10Mpa, Vacuum -1.5kPa	
Pipe size	4mm Pipe(M5)	torque	<08N.m	
Mechanical parameters		Electrical parameters		
Spec.	Data	Spec.	Data	
Working Life	20millions for ref (depends on working conditions)		Power	Signal
Max. Speed	250RPM continously, 1000RPM intermittently	Voltage Range	0~240VAC/VDC	0~240VAC/VDC
Working Temp.	-30°C~80°C	Insulation Resistance	<500MΩ/300VDC	<500MΩ/300VDC
Work Humidity	0~85% RH	Lead Wire Spec.	AWG26# Silver-plated teflon wire	AWG26# Silver-plated teflon wire
Contact Material	precious metal	Lead Wire Length	standard 250mm(can be customized)	
Housing Material	aluminum alloy	Insulation Resistance	500VAC@50Hz,6s	
IP Grade	IP51	Electrical Noise	<0.01Ω	

Color Code of Lead Wire

ring #	1	2	3	4	5	6	7	8	9	10	11	12
color	BLK	BRN	RED	ORG	YEL	GRN	BLU	PUR	GRY	WHT	PINK	LGT BLU

3012004 Series 12 Passages Pneumatic/Hydraulic+Electric Rotary Unions

12 Passage(M5 port,4mm pipes)+Electrical(Power/Signal)

support M5 port for 4mm pipes,can transfer various mediums including compressed air,steam,vacuum,negative pressure,positive pressure,cooling water,hot oil,etc when 360° rotating , it also can combine to transmit electrical power and signal.



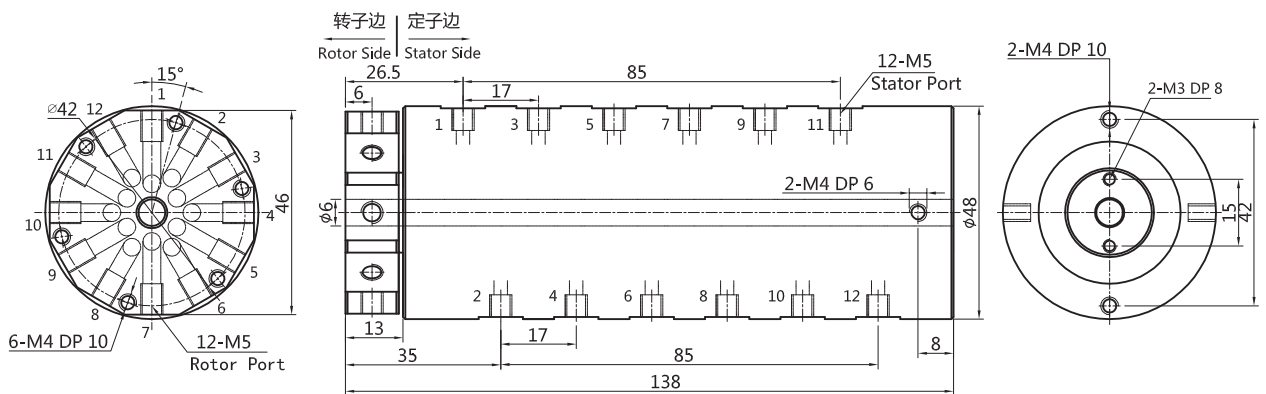
Part No. Description

3012004 - Signal Circuits

12 Passage Rotary Unions
support 12 M5 port for 4mm pipes

For example:
06S:6 circuits signal@2A
12S:12 circuits signal@2A

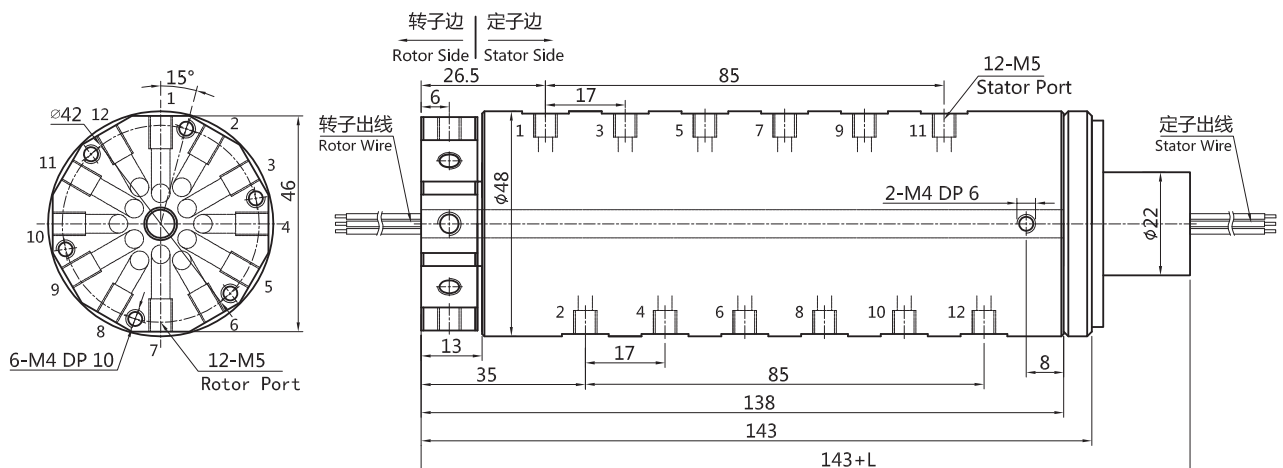
3012004 (Rotary Union Only) Drawing, 12 Passage(4mm pipe)



Standard Model List

Model	Passages(Gas/Flow)	Port Size	Pipe Size
3012004	12	M5	4~6mm

3012004-X43012 passages (4mm pipe)
+6~36 circuits electrical signal@2A (Suitable for Solenoid valve or Sensor switch Signals)



Standard Model List

Model	Passages(Gas/Flow)	Port Size	Pipe Size	Signal Circuits(2A)	Length L(mm)
3012004-06S	12	M5	4~6mm	6	14
3012004-12S	12	M5	4~6mm	12	21
3012004-24S	12	M5	4~6mm	24	35
3012004-36S	12	M5	4~6mm	36	52

Technical Specification

Rotary Union Specification				
Passages	12 Passage(Gas/Flow)	Max. Pressure	1Mpa, Vacuum -1.5kPa	
Pipe size	4mm Pipe(M5)	torque	<1.2N.m	
Mechanical parameters		Electrical parameters		
Spec.	Data	Spec.	Data	
Working Life	20millions for ref (depends on working conditions)		Power	Signal
Max. Speed	250RPM continously, 1000RPM intermittently	Voltage Range	0~240VAC/VDC	0~240VAC/VDC
Working Temp.	-30°C~80°C	Insulation Resistance	<500MΩ/300VDC	<500MΩ/300VDC
Work Humidity	0~85% RH	Lead Wire Spec.	AWG26# Silver-plated teflon wire	AWG26# Silver-plated teflon wire
Contact Material	precious metal	Lead Wire Length	standard 250mm(can be customized)	
Housing Material	aluminum alloy	Insulation Resistance	500VAC@50Hz,6s	
IP Grade	IP51	Electrical Noise	<0.01Ω	

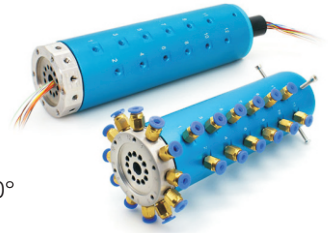
Color Code of Lead Wire

ring #	1	2	3	4	5	6	7	8	9	10	11	12
color	BLK	BRN	RED	ORG	YEL	GRN	BLU	PUR	GRY	WHT	PINK	LGT BLU

3016004 Series 16 Passages Pnuematic/Hydraulic+Electric Rotary Unions

16 Passage(M5 port,4mm pipes)+Electrical(Power/Signal)

support M5 port for 4mm pipes,can transfer various mediums including compressed air,steam,vacuum,negative pressure,positive pressure,cooling water,hot oil,etc when 360° rotating , it also can combine to transmit electrical power and signal.



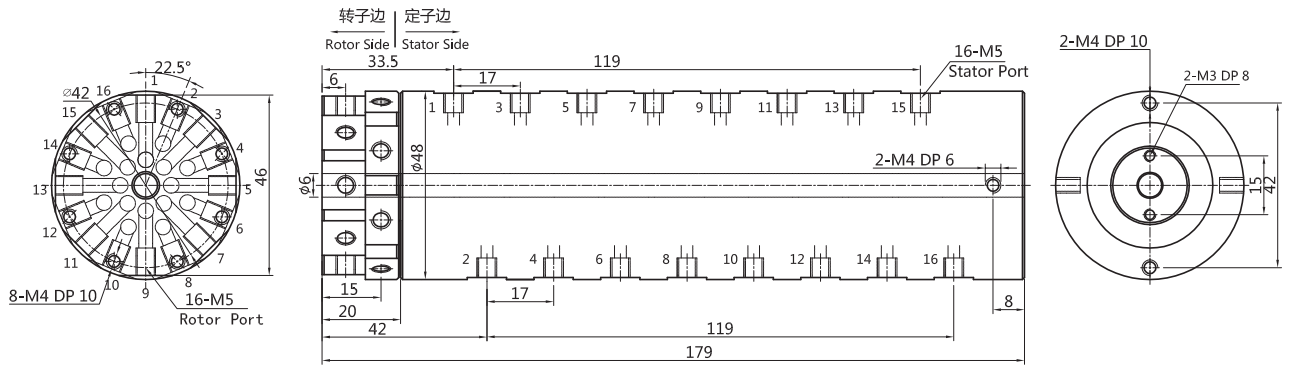
Part No. Description

[3016004](#) - Signal Circuits

16 Passage Rotary Unions
support 16 M5 port for 4mm pipes

For example:
06S:6 circuits signal@2A
12S:12 circuits signal@2A

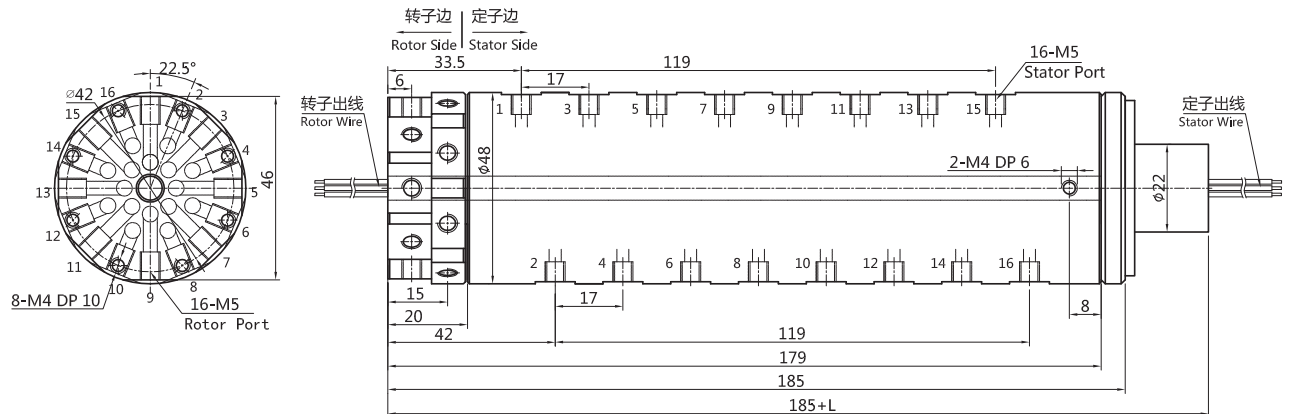
3016004 (Rotary Union Only) Drawing,16 Passage(4mm pipe)



Standard Model List

Model	Passages(Gas/Flow)	Port Size	Pipe Size
3016004	16	M5	4~6mm

3016004-X4S 16 Passage(4mm pipe)
+6~36 circuits electrical signal@2A (Suitable for Solenoid valve or Sensor switch Signals)



Standard Model List

Model	Passages(Gas/Flow)	Port Size	Pipe Size	Signal Circuits(2A)	Length L(mm)
3016004-06S	16	M5	4~6mm	6	14
3016004-12S	16	M5	4~6mm	12	21
3016004-24S	16	M5	4~6mm	24	35
3016004-36S	16	M5	4~6mm	36	52

Technical Specification

Rotary Union Specification				
Passages	16 Passage	Max. Pressure	1Mpa, Vacuum -1.5kPa	
Pipe size	4mm Pipe(M5)	torque	<1.6N.m	
Mechanical parameters		Electrical parameters		
Spec.	Data	Spec.	Data	
Working Life	20millions for ref (depends on working conditions)		Power	Signal
Max. Speed	250RPM continously, 1000RPM intermittently	Voltage Range	0~240VAC/VDC	0~240VAC/VDC
		Insulation Resistance	<500M Ω /300VDC	<500M Ω /300VDC
Working Temp.	-30 $^{\circ}$ C~80 $^{\circ}$ C	Lead Wire Spec.	AWG26# Silver-plated teflon wire	AWG26# Silver-plated teflon wire
Work Humidity	0~85% RH	Lead Wire Length	standard 250mm(can be customized)	
Contact Material	precious metal	Insulation Resistance	500VAC@50Hz,6s	
Housing Material	aluminum alloy	Electrical Noise	<0.01 Ω	
IP Grade	IP51			

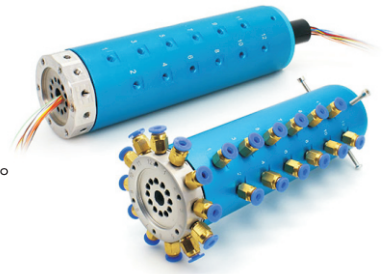
Color Code of Lead Wire

ring #	1	2	3	4	5	6	7	8	9	10	11	12
color	BLK	BRN	RED	ORG	YEL	GRN	BLU	PUR	GRY	WHT	PINK	LGT BLU

3024004 Series 24 Passages Pnuematic/Hydraulic+Electric Rotary Unions

24 Passage(M5 port,4mm pipes)+Electrical(Power/Signal)

support M5 port for 4mm pipes,can transfer various mediums including compressed air,steam,vacuum,negative pressure,positive pressure,cooling water,hot oil,etc when 360° rotating , it also can combine to transmit electrical power and signal.



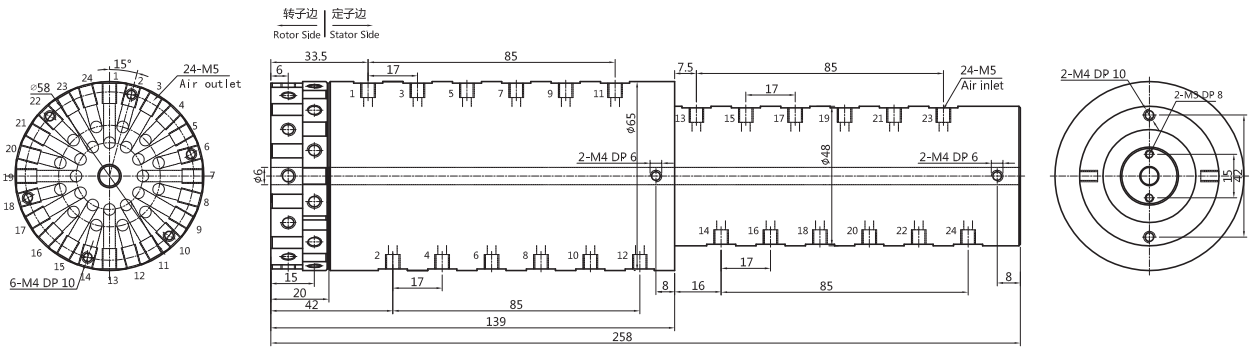
Part No. Description

3024004 - Signal Circuits

24 Passage Rotary Unions
support 24 M5 port for 4mm pipes

For example:
06S:6 circuits signal@2A
12S:12 circuits signal@2A

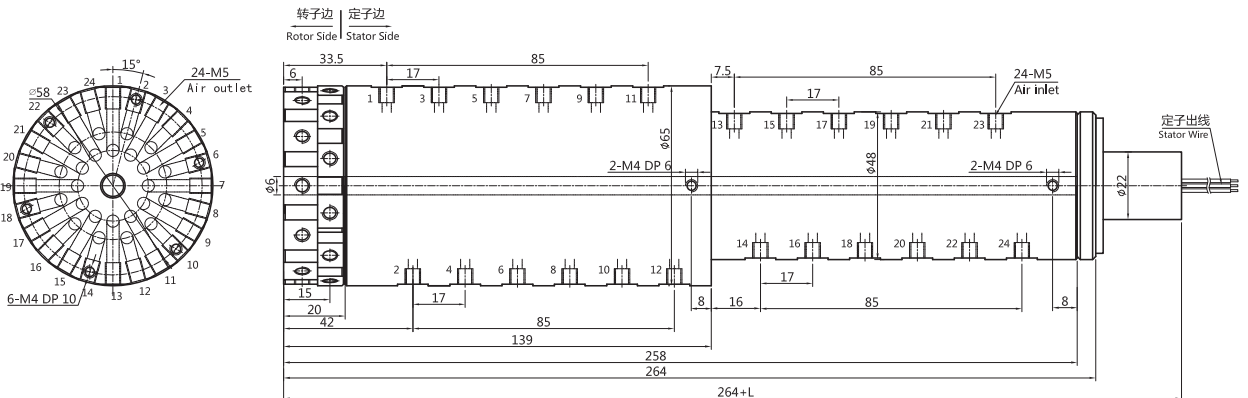
3024004 (Rotary Union Only) Drawing,24 Passage(4mm pipe)



Standard Model List

Model	Passages(Gas/Flow)	Port Size	Pipe Size
3024004	24	M5	4~6mm

3024004-X4S 24 Passage(4mm pipe) +6~36 circuits electrical signal@2A(Suitable for Solenoid valve or Sensor switch Signals)



Standard Model List

Model	Passages(Gas/Flow)	Port Size	Pipe Size	Signal Circuits(2A)	Length L(mm)
3024004-06S	24	M5	4~6mm	6	14
3024004-12S	24	M5	4~6mm	12	21
3024004-24S	24	M5	4~6mm	24	35
3024004-36S	24	M5	4~6mm	36	52

Technical Specification

Rotary Union Specification				
Passages	24 Passage	Max. Pressure	1Mpa, Vacuum -1.5kPa	
Pipe size	4mm Pipe(M5)	torque	<2.4N.m	
Mechanical parameters		Electrical parameters		
Spec.	Data	Spec.	Data	
Working Life	20millions for ref (depends on working conditions)		Power	Signal
Max. Speed	250RPM continously, 1000RPM intermittently	Voltage Range	0~240VAC/VDC	0~240VAC/VDC
Working Temp.	-30°C~80°C	Insulation Resistance	<500MΩ/300VDC	<500MΩ/300VDC
Work Humidity	0~85% RH	Lead Wire Spec.	AWG26# Silver-plated teflon wire	AWG26# Silver-plated teflon wire
Contact Material	precious metal	Lead Wire Length	standard 250mm(can be customized)	
Housing Material	aluminum alloy	Insulation Resistance	500VAC@50Hz,6s	
IP Grade	IP51	Electrical Noise	<0.01Ω	

Color Code of Lead Wire

ring #	1	2	3	4	5	6	7	8	9	10	11	12
color	BLK	BRN	RED	ORG	YEL	GRN	BLU	PUR	GRY	WHT	PINK	LGT BLU

3002006 Series Two Passages Rotary Unions



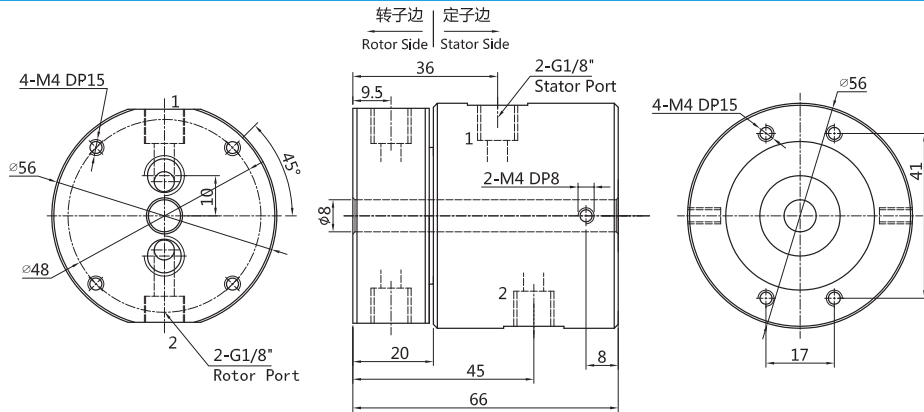
2 Passage(G1/8" port,6~8mm pipes)+Electrical(Power/Signal)

support G1/8" port for 6~8mm pipes,can transfer various mediums including compressed air,steam,vacuum,negative pressure,positive pressure,cooling water,hot oil,etc when 360° rotating , it also can combine to transmit electrical power and signal.

Part No. Description

3002006 - Power Circuits - Signal Circuits	
2 Passage Rotary Unions G1/8" port ,6mm pipes	For example: 06S:6 circuits signal@2A 12S:12 circuits signal@2A
For example: 0610:6 circuits@10A 1230:12 circuits@30A	

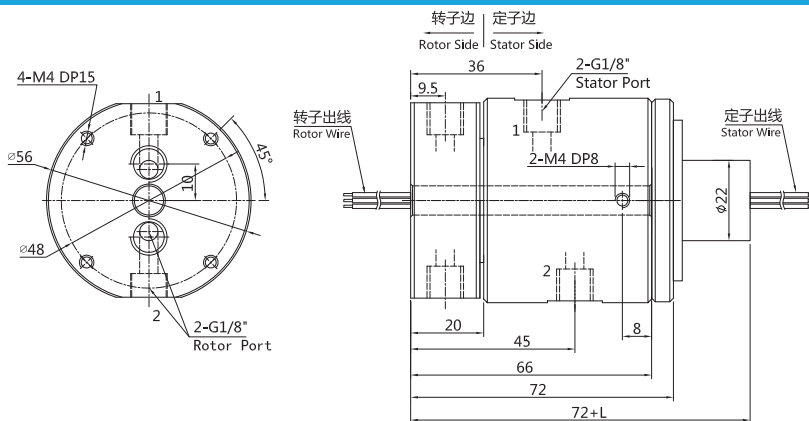
3002006 (Rotary Union Only) Drawing,2 Passage(6~8mm pipe)



Standard Model List

Model	Passages(Gas/Flow)	Port Size	Pipe Size
3002006	2	G1/8"	6~8mm

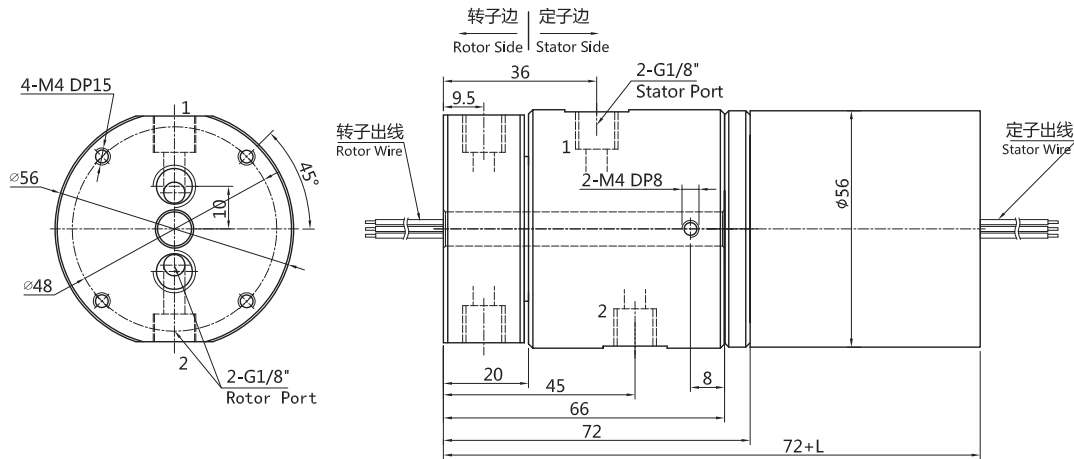
3002006-X4S 2 Passage(6~8mm pipe) +6~56 circuits electrical signal@2A (Suitable for Solenoid valve or Sensor switch Signals)



Standard Model List

Model	Passages(Gas/Flow)	Port Size	Pipe Size	Signal Circuits(2A)	Length L(mm)
3002006-06	2	G1/8"	6~8mm	6	14
3002006-12	2	G1/8"	6~8mm	12	21
3002006-24S	2	G1/8"	6~8mm	24	35
3002006-36S	2	G1/8"	6~8mm	36	52.3
3002006-56S	2	G1/8"	6~8mm	56	82

3002006-X3AX4S 2 Passage(6~8mm pipe)+electrical power/signal(5A, 10A option)



Standard Model List

Model	Passages	Port Size	Pipe Size	Circuits		Length L(mm)
				Power(10A)	Signal(2A)	
3002006-06S	2	G1/8"	6~8mm	0	6	38
3002006-0610	2	G1/8"	6~8mm	6	0	38
3002006-12S	2	G1/8"	6~8mm	0	12	55
3002006-0610-06S	2	G1/8"	6~8mm	6	6	55
3002006-1210	2	G1/8"	6~8mm	12	0	55
3002006-0610-12S	2	G1/8"	6~8mm	6	12	71.5
3002006-1210-06S	2	G1/8"	6~8mm	12	6	71.5
3002006-18S	2	G1/8"	6~8mm	0	18	71.5
3002006-1810	2	G1/8"	6~8mm	18	0	71.5
3002006-0610-18S	2	G1/8"	6~8mm	6	18	88.5
3002006-24S	2	G1/8"	6~8mm	0	24	88.5
3002006-30S	2	G1/8"	6~8mm	0	30	106
3002006-36S	2	G1/8"	6~8mm	0	36	125

Technical Specification

Rotary Union Specification			
Passages	2 Passage	Max. Pressure	1Mpa, Vacuum -1.5kPa
Pipe size	6~8mm Pipe(G1/8")	torque	<0.2N.m
Mechanical parameters		Electrical parameters	
Spec.	Data	Spec.	Data
Working Life	20millions for ref (depends on working conditions)	Voltage Range	Power
			Signal
Max. Speed	250RPM continously, 1000RPM intermittently	Insulation Resistance	<500MΩ/300VDC
			Lead Wire Spec.
Working Temp.	-30°C~80°C	Lead Wire Length	
			Work Humidity
Contact Material	precious metal	Electrical Noise	
			Housing Material
IP Grade	IP51		

3302006 Series Two Passage Hollow Shaft Rotary Unions (with center hole 30mm)



2 Passage(G1/8" port,6~8mm pipes)+Electrical(Power/Signal)

support G1/8" port for 6~8mm pipes,can transfer various mediums including compressed air,steam,vacuum,negative pressure,positive pressure,cooling water,hot oil,etc when 360° rotating , it also can combine to transmit electrical power and signal.

Part No. Description

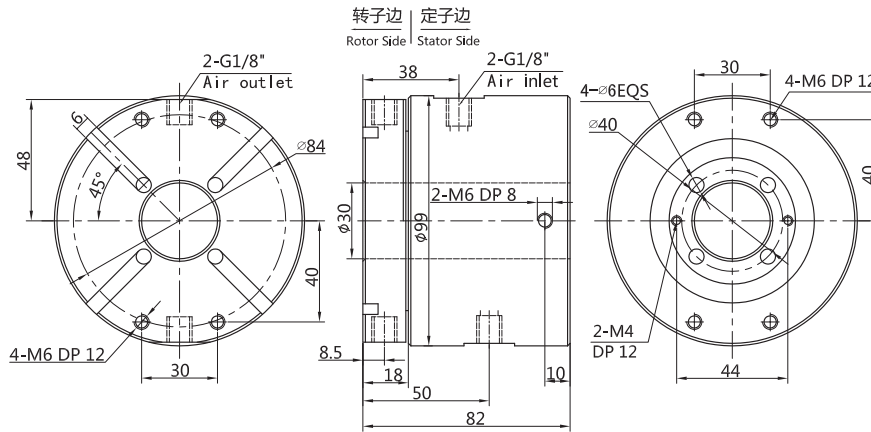
3302006 - Power Circuits - Signal Circuits

2 Passage Rotary Unions
G1/8" port ,6mm pipes

For example:
0610:6 circuits@10A 1230:12 circuits@30A

For example:
06S:6 circuits signal@2A
12S:12 circuits signal@2A

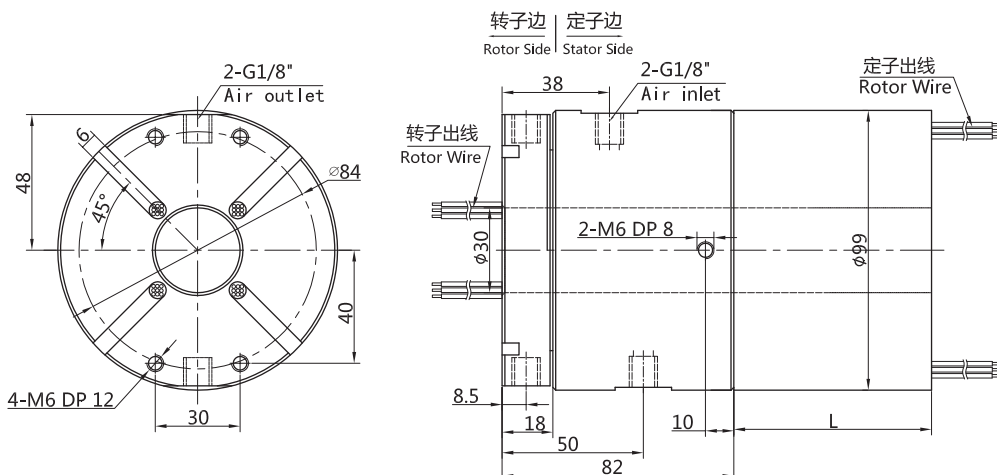
3302006 (Rotary Union Only) Drawing,2 Passage(6~8mm pipe)



Standard Model List

Model	Passages(Gas/Flow)	Port Size	Pipe Size
3302006	2	G1/8"	6~8mm

3302006-X3AX4S 2 Passage(6~8mm pipe)+electrical power/signal(5A, 10A option)



Standard Model List

Model	Passages	Port Size	Pipe Size	Circuits		Length L(mm)
				Power(10A)	Signal(2A)	
3302006-06S	2	G1/8"	6~8mm	0	6	48
3302006-0610	2	G1/8"	6~8mm	6	0	48
3302006-12S	2	G1/8"	6~8mm	0	12	72
3302006-0610-06S	2	G1/8"	6~8mm	6	6	72
3302006-1210	2	G1/8"	6~8mm	12	0	72
3302006-0610-12S	2	G1/8"	6~8mm	6	12	96
3302006-1210-06S	2	G1/8"	6~8mm	12	6	96
3302006-18S	2	G1/8"	6~8mm	0	18	96
3302006-1810	2	G1/8"	6~8mm	18	0	96
3302006-0610-18S	2	G1/8"	6~8mm	6	18	120
3302006-24S	2	G1/8"	6~8mm	0	24	120
3302006-2410	2	G1/8"	6~8mm	24	0	120
3302006-36S	2	G1/8"	6~8mm	0	36	168
3302006-1210-24S	2	G1/8"	6~8mm	12	24	168
3302006-3610	2	G1/8"	6~8mm	36	0	168
3302006-48S	2	G1/8"	6~8mm	0	48	216
3302006-1210-36S	2	G1/8"	6~8mm	12	36	216
3302006-4810	2	G1/8"	6~8mm	48	0	216
3302006-60S	2	G1/8"	6~8mm	0	60	264
3302006-1210-48S	2	G1/8"	6~8mm	12	48	264
3302006-72S	2	G1/8"	6~8mm	0	72	312
3302006-2410-48S	2	G1/8"	6~8mm	24	48	312
3302006-84S	2	G1/8"	6~8mm	0	84	360
3302006-2410-60S	2	G1/8"	6~8mm	20	60	360
3302006-96S	2	G1/8"	6~8mm	0	96	408
3302006-108S	2	G1/8"	6~8mm	0	108	456
3302006-120S	2	G1/8"	6~8mm	0	120	504

Technical Specification

Rotary Union Specification			
Passages	2 Passage	Max. Pressure	1Mpa, Vacuum -1.5kPa
Pipe size	6~8mm Pipe(G1/8")	torque	<0.2N.m
Mechanical parameters		Electrical parameters	
Spec.	Data	Spec.	Data
Working Life	20millions for ref (depends on working conditions)	Voltage Range	0~440VAC/VDC 0~440VAC/VDC
		Insulation Resistance	<500MΩ/300VDC <500MΩ/300VDC
Max. Speed	250RPM continously, 1000RPM intermittently	Lead Wire Spec.	AWG17# Silver-plated teflon wire AWG22# Silver-plated teflon wire
Working Temp.	-30°C~80°C	Lead Wire Length	standard 250mm(can be customized)
Work Humidity	0~85% RH	Insulation Resistance	500VAC@50Hz,6s
Contact Material	precious metal	Electrical Noise	<0.01Ω
Housing Material	aluminum alloy		
IP Grade	IP51		

Color Code of Lead Wire

ring #	1	2	3	4	5	6	7	8	9	10	11	12
color	BLK	BRN	RED	ORG	YEL	GRN	BLU	PUR	GRY	WHT	PINK	LGT BLU

3004006 Series 4 Passages Rotary Unions



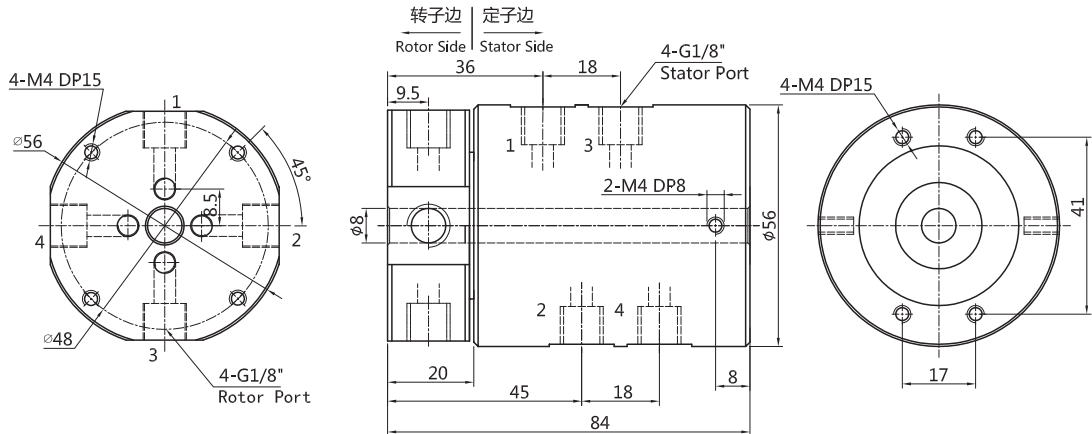
4 Passage(G1/8" port,6~8mm pipes)+Electrical(Power/Signal)

support G1/8" port for 6~8mm pipes,can transfer various mediums including compressed air,steam,vacuum,negative pressure,positive pressure,cooling water,hot oil,etc when 360° rotating , it also can combine to transmit electrical power and signal.

Part No. Description

4 Passage Rotary Unions G1/8" port ,6mm pipes	3004006 - Power Circuits - Signal Circuits	For example: 06S:6 circuits signal@2A 12S:12 circuits signal@2A
For example: 0610:6 circuits@10A 1230:12 circuits@30A		

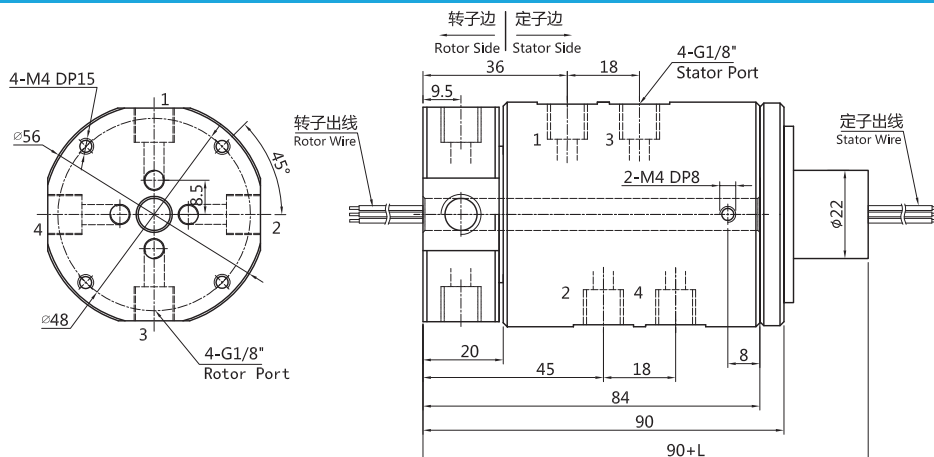
3004006 (Rotary Union Only) Drawing,4 Passage(6~8mm pipe)



Standard Model List

Model	Passages(Gas/Flow)	Port Size	Pipe Size
3004006	4	G1/8"	6~8mm

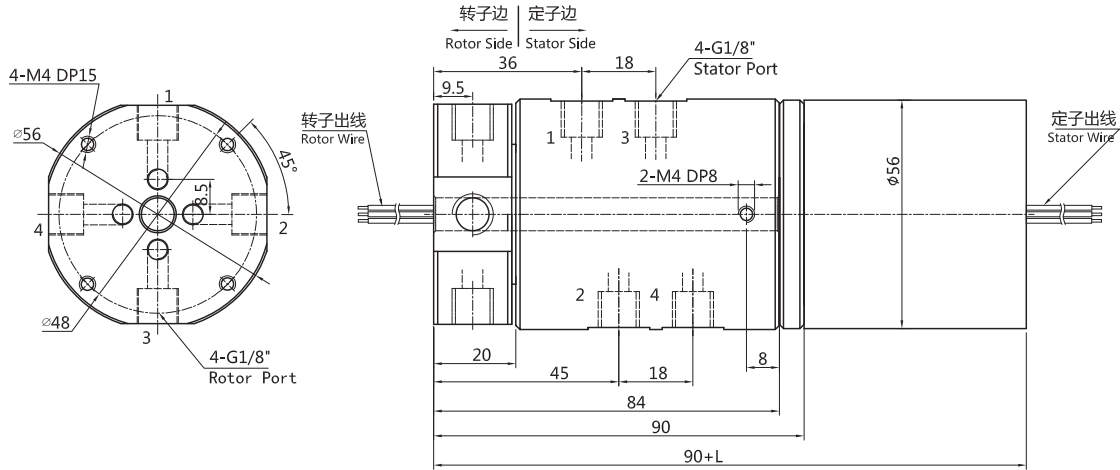
3004006-X4S 4 Passage(6~8mm pipe)
+6~56 circuits electrical signal@2A (Suitable for Solenoid valve or Sensor switch Signals)



Standard Model List

Model	Passages(Gas/Flow)	Port Size	Pipe Size	Signal Circuits(2A)	Length L(mm)
3004006-06	4	G1/8"	6~8mm	6	14
3004006-12	4	G1/8"	6~8mm	12	21
3004006-24S	4	G1/8"	6~8mm	24	35
3004006-36S	4	G1/8"	6~8mm	36	52.3
3004006-56S	4	G1/8"	6~8mm	56	82

3004006-X3AX4S 4 Passage(6~8mm pipe)+electrical power/signal(5A, 10A option)



Standard Model List

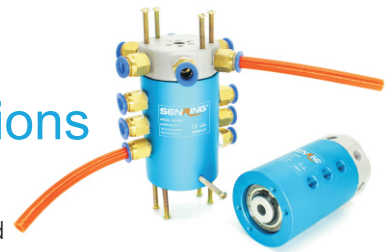
Model	Passages	Port Size	Pipe Size	Circuits		Length L(mm)
				Power(10A)	Signal(2A)	
3004006-06S	4	G1/8"	6~8mm	0	6	38
3004006-0610	4	G1/8"	6~8mm	6	0	38
3004006-12S	4	G1/8"	6~8mm	0	12	55
3004006-0610-06S	4	G1/8"	6~8mm	6	6	55
3004006-1210	4	G1/8"	6~8mm	12	0	55
3004006-0610-12S	4	G1/8"	6~8mm	6	12	71.5
3004006-1210-06S	4	G1/8"	6~8mm	12	6	71.5
3004006-18S	4	G1/8"	6~8mm	0	18	71.5
3004006-1810	4	G1/8"	6~8mm	18	0	71.5
3004006-0610-18S	4	G1/8"	6~8mm	6	18	88.5
3004006-24S	4	G1/8"	6~8mm	0	24	88.5
3004006-30S	4	G1/8"	6~8mm	0	30	106
3004006-36S	4	G1/8"	6~8mm	0	36	125

Technical Specification

Rotary Union Specification			
Passages	4 Passage	Max. Pressure	1Mpa, Vacuum -1.5kPa
Pipe size	6~8mm Pipe(G1/8")	torque	<0.4N.m
Mechanical parameters		Electrical parameters	
Spec.	Data	Spec.	Data
Working Life	20millions for ref (depends on working conditions)	Voltage Range	0~440VAC/VDC
		Insulation Resistance	<500MΩ/300VDC
Max. Speed	250RPM continously, 1000RPM intermittently	Lead Wire Spec.	AWG17# Silver-plated teflon wire
		Lead Wire Length	standard 250mm(can be customized)
Working Temp.	-30°C~80°C	Insulation Resistance	500VAC@50Hz,6s
Work Humidity	0~85% RH	Electrical Noise	<0.01Ω
Contact Material	precious metal		
Housing Material	aluminum alloy		
IP Grade	IP51		

3006006 Series 6 Passages Rotary Unions

6 Passage(G1/8" port,6~8mm pipes)+Electrical(Power/Signal)



support G1/8" port for 6~8mm pipes,can transfer various mediums including compressed air,steam,vacuum,negative pressure,positive pressure,cooling water,hot oil,etc when 360° rotating , it also can combine to transmit electrical power and signal.

Part No. Description

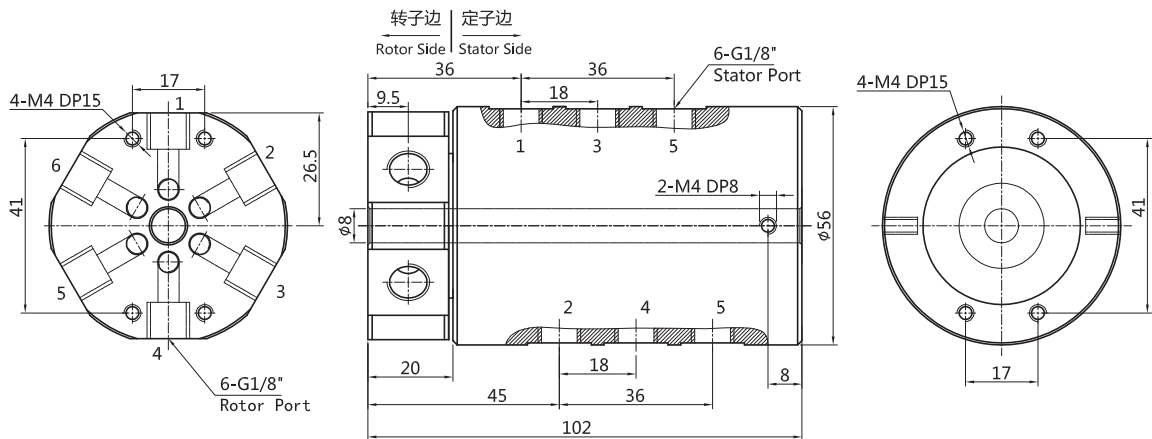
6 Passage Rotary Unions
G1/8" port ,6mm pipes

3006006 - Power Circuits - Signal Circuits

For example:
0610:6 circuits@10A 1230:12 circuits@30A

For example:
06S:6 circuits signal@2A
12S:12 circuits signal@2A

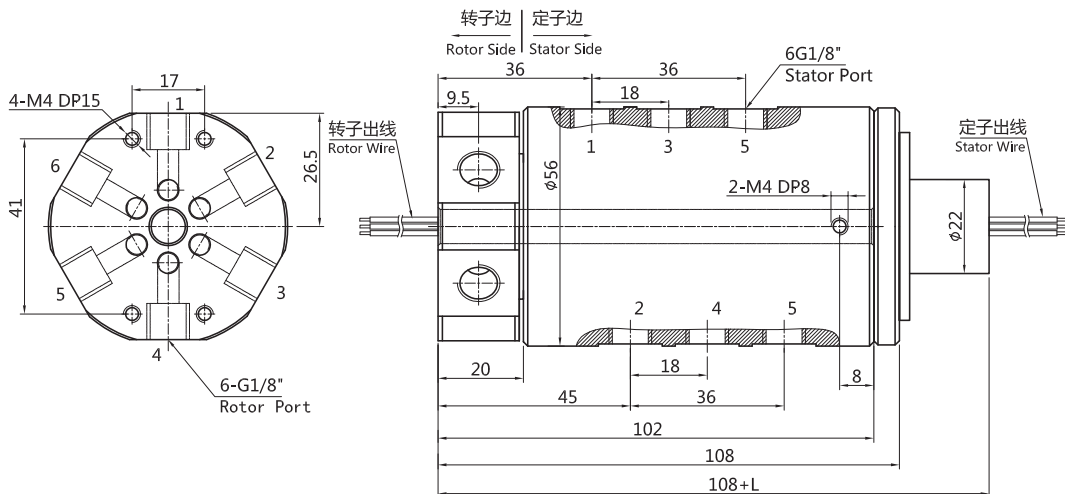
3006006 (Rotary Union Only) Drawing,6 Passage(6~8mm pipe)



Standard Model List

Model	Passages(Gas/Flow)	Port Size	Pipe Size
3006006	6	G1/8"	6~8mm

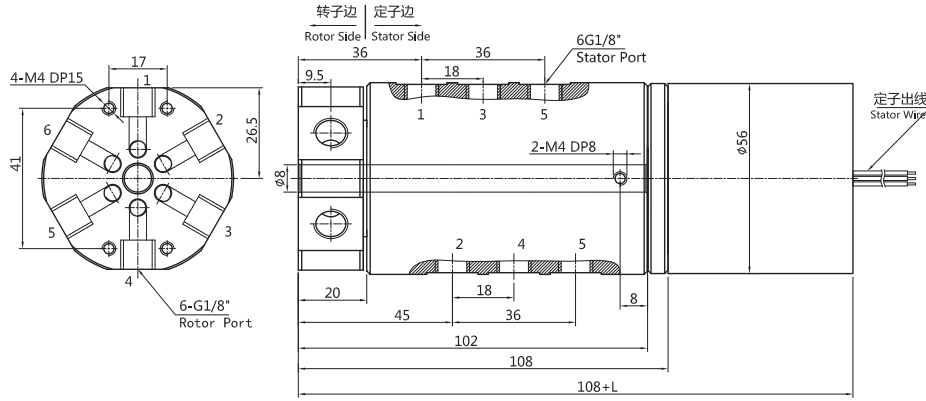
3006006-X3AX4S 6 Passage(6~8mm pipe)+electrical power/signal(5A, 10A option)



Standard Model List

Model	Passages(Gas/Flow)	Port Size	Pipe Size	Signal Circuits(2A)	Length L(mm)
3006006-06	6	G1/8"	6~8mm	6	14
3006006-12	6	G1/8"	6~8mm	12	21
3006006-24S	6	G1/8"	6~8mm	24	35
3006006-36S	6	G1/8"	6~8mm	36	52.3
3006006-56S	6	G1/8"	6~8mm	56	82

3006006-X3AX4S 6 Passage(6~8mm pipe)+electrical power/signal(5A, 10A option)



Standard Model List

Model	Passages	Port Size	Pipe Size	Circuits		Length L(mm)
				Power(10A)	Signal(2A)	
3006006-06S	6	G1/8"	6~8mm	0	6	38
3006006-0610	6	G1/8"	6~8mm	6	0	38
3006006-12S	6	G1/8"	6~8mm	0	12	55
3006006-0610-06S	6	G1/8"	6~8mm	6	6	55
3006006-1210	6	G1/8"	6~8mm	12	0	55
3006006-0610-12S	6	G1/8"	6~8mm	6	12	71.5
3006006-1210-06S	6	G1/8"	6~8mm	12	6	71.5
3006006-18S	6	G1/8"	6~8mm	0	18	71.5
3006006-1810	6	G1/8"	6~8mm	18	0	71.5
3006006-0610-18S	6	G1/8"	6~8mm	6	18	88.5
3006006-24S	6	G1/8"	6~8mm	0	24	88.5
3006006-30S	6	G1/8"	6~8mm	0	30	106
3006006-36S	6	G1/8"	6~8mm	0	36	125

Technical Specification

Rotary Union Specification			
Passages	6 Passage	Max. Pressure	1Mpa, Vacuum -1.5kPa
Pipe size	6~8mm Pipe(G1/8")	torque	<0.6N.m
Mechanical parameters		Electrical parameters	
Spec.	Data	Spec.	Data
Working Life	20millions for ref (depends on working conditions)	Voltage Range	0~440VAC/VDC
		Insulation Resistance	<500MΩ/300VDC
Max. Speed	250RPM continously, 1000RPM intermittently	Lead Wire Spec.	AWG17# Silver-plated teflon wire
		Lead Wire Length	standard 250mm(can be customized)
Working Temp.	-30°C~80°C	Insulation Resistance	500VAC@50Hz,6s
Work Humidity	0~85% RH	Electrical Noise	<0.01Ω
Contact Material	precious metal		
Housing Material	aluminum alloy		
IP Grade	IP51		



3008006 Series G1/8 6 Passage Rotary Unions

8 Passage(G1/8" port,6~8mm pipes)+Electrical(Power/Signal)

support G1/8" port for 6~8mm pipes,can transfer various mediums including compressed air,steam,vacuum,negative pressure,positive pressure,cooling water,hot oil,etc when 360° rotating , it also can combine to transmit electrical power and signal.

Part No. Description

8 Passage Rotary Unions
G1/8" port ,6mm pipes

For example:

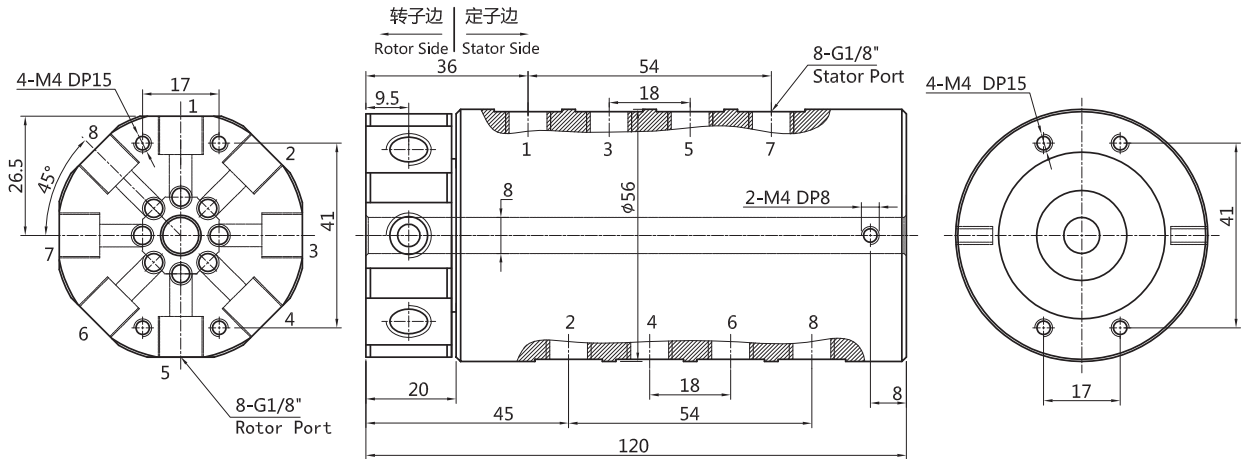
0610:6 circuits@10A 1230:12 circuits@30A

3008006 - Power Circuits - Signal Circuits

For example:

06S:6 circuits signal@2A
12S:12 circuits signal@2A

3008006 (Rotary Union Only) Drawing,8 Passage(6~8mm pipe)

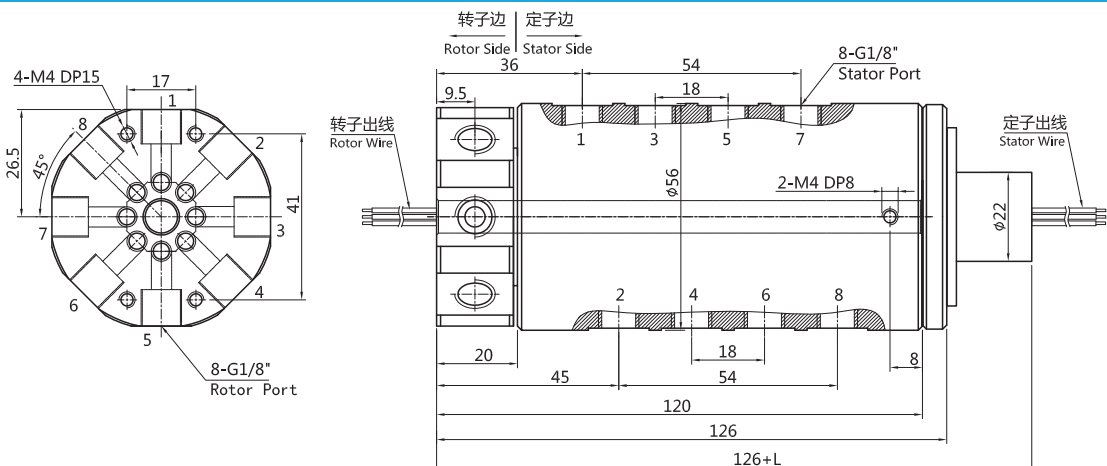


Standard Model List

Model	Passages(Gas/Flow)	Port Size	Pipe Size
3008006	8	G1/8"	6~8mm

3008006-X4S 8 Passage(6~8mm pipe)

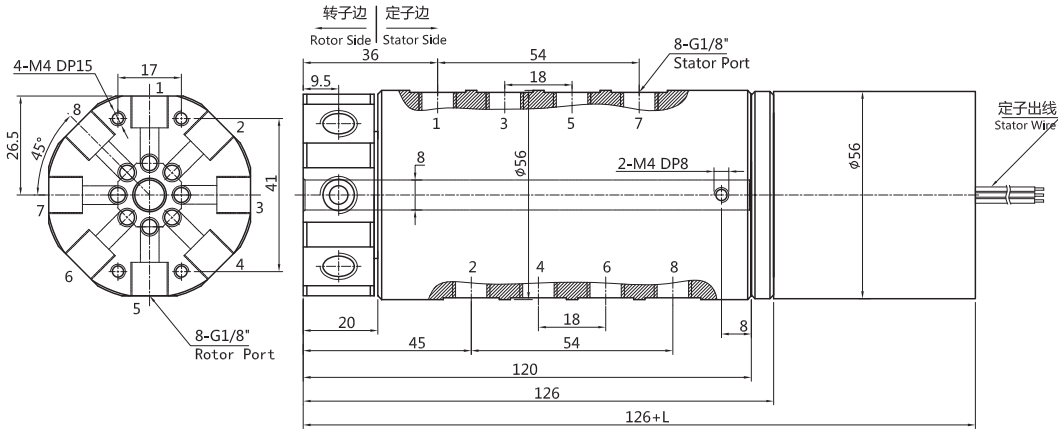
+6~56 circuits electrical signal@2A (Suitable for Solenoid valve or Sensor switch Signals)



Standard Model List

Model	Passages(Gas/Flow)	Port Size	Pipe Size	Signal Circuits(2A)	Length L(mm)
3008006-06	8	G1/8"	6~8mm	6	14
3008006-12	8	G1/8"	6~8mm	12	21
3008006-24S	8	G1/8"	6~8mm	24	35
3008006-36S	8	G1/8"	6~8mm	36	52.3
3008006-56S	8	G1/8"	6~8mm	56	82

3008006-X3AX4S 8 Passage(6~8mm pipe)+electrical power/signal(5A, 10A option)

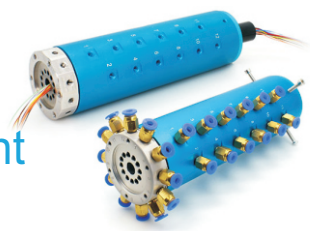


Standard Model List

Model	Passages	Port Size	Pipe Size	Circuits		Length L(mm)
				Power(10A)	Signal(2A)	
3008006-06S	8	G1/8"	6~8mm	0	6	38
3008006-0610	8	G1/8"	6~8mm	6	0	38
3008006-12S	8	G1/8"	6~8mm	0	12	55
3008006-0610-06S	8	G1/8"	6~8mm	6	6	55
3008006-1210	8	G1/8"	6~8mm	12	0	55
3008006-0610-12S	8	G1/8"	6~8mm	6	12	71.5
3008006-1210-06S	8	G1/8"	6~8mm	12	6	71.5
3008006-18S	8	G1/8"	6~8mm	0	18	71.5
3008006-1810	8	G1/8"	6~8mm	18	0	71.5
3008006-0610-18S	8	G1/8"	6~8mm	6	18	88.5
3008006-24S	8	G1/8"	6~8mm	0	24	88.5
3008006-30S	8	G1/8"	6~8mm	0	30	106
3008006-36S	8	G1/8"	6~8mm	0	36	125

Technical Specification

Rotary Union Specification			
Passages	8 Passage	Max. Pressure	1Mpa, Vacuum -1.5kPa
Pipe size	6~8mm Pipe(G1/8")	torque	<0.8N.m
Mechanical parameters		Electrical parameters	
Spec.	Data	Spec.	Data
Working Life	20millions for ref (depends on working conditions)	Voltage Range	0~440VAC/VDC
		Insulation Resistance	<500MΩ/300VDC
Max. Speed	250RPM continously, 1000RPM intermittently	Lead Wire Spec.	AWG17# Silver-plated teflon wire
		Lead Wire Length	standard 250mm(can be customized)
Working Temp.	-30°C~80°C	Insulation Resistance	500VAC@50Hz,6s
Work Humidity	0~85% RH	Electrical Noise	<0.01Ω
Contact Material	precious metal		
Housing Material	aluminum alloy		
IP Grade	IP51		



3012006 Series 12 Passage Pneumatic swivel Joint

12 Passage(G1/8" port,6~8mm pipes)+Electrical(Power/Signal)

support G1/8" port for 6~8mm pipes,can transfer various mediums including compressed air,steam, vacuum,negative pressure,positive pressure,cooling water,hot oil,etc when 360° rotating , it also can combine to transmit electrical power and signal.

Part No. Description

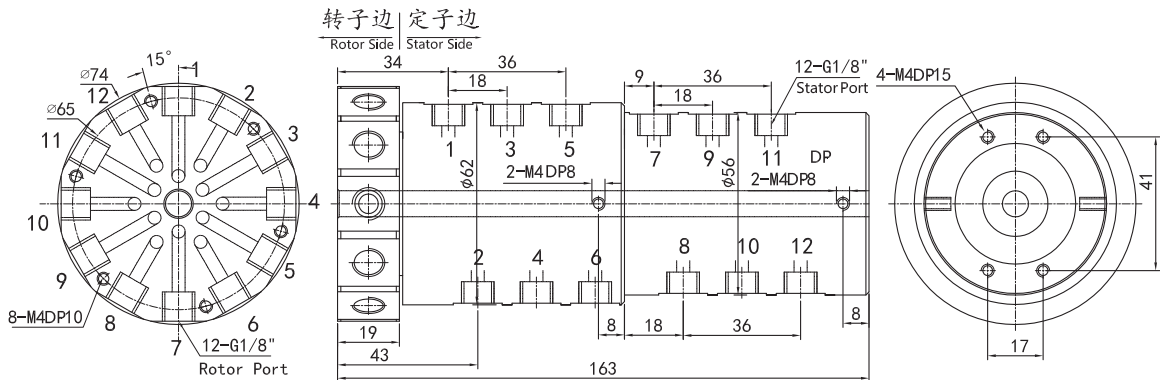
12 Passage Rotary Unions
G1/8" port ,6mm pipes

For example:
0610:6 circuits@10A 1230:12 circuits@30A

3012006 - Power Circuits - Signal Circuits

For example:
06S:6 circuits signal@2A
12S:12 circuits signal@2A

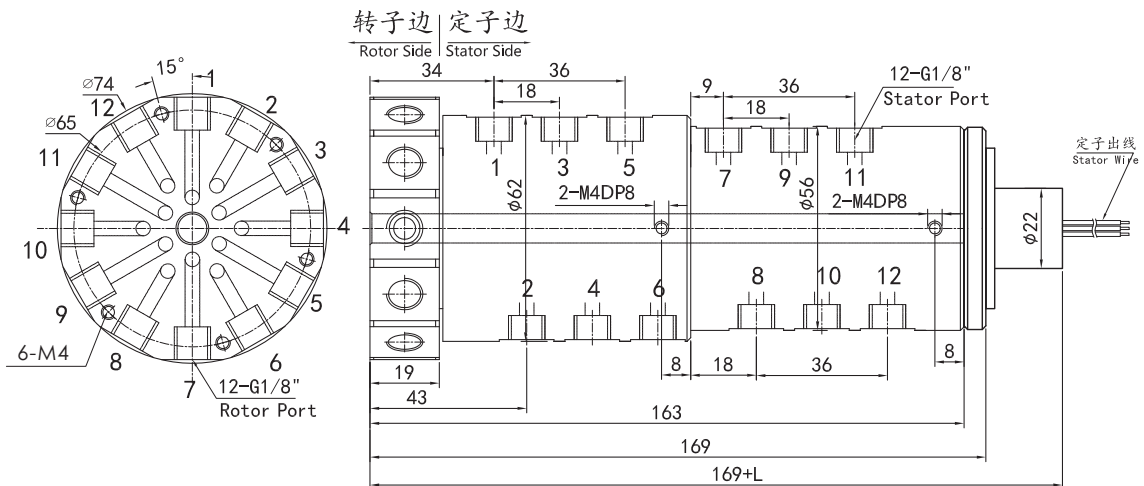
3012006 (Rotary Union Only) Drawing, 12 Passage(6~8mm pipe)



Standard Model List

Model	Passages(Gas/Flow)	Port Size	Pipe Size
3012006	12	G1/8"	6~8mm

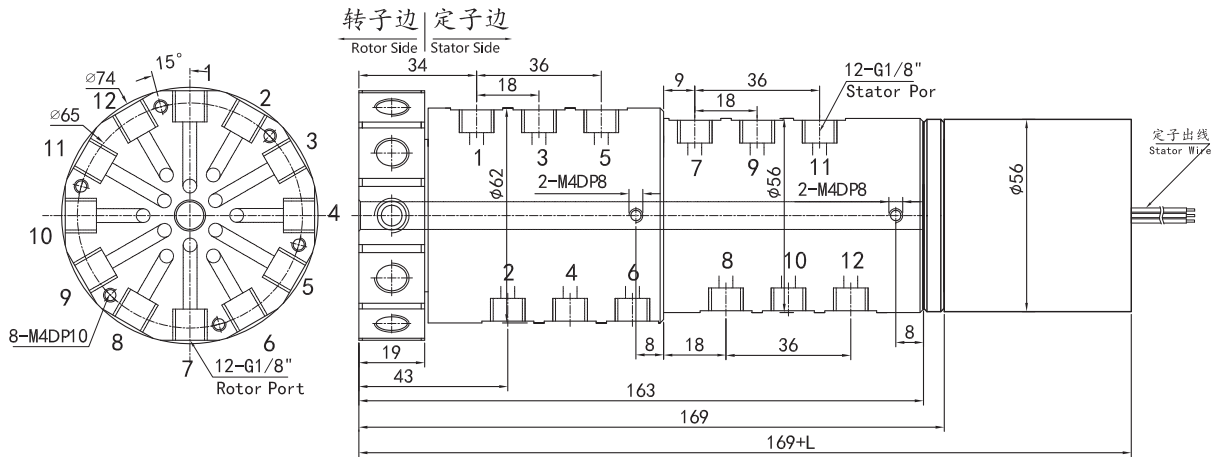
3012006-X4S 12 Passage(6~8mm pipe)
+6~56 circuits electrical signal@2A (Suitable for Solenoid valve or Sensor switch Signals)



Standard Model List

Model	Passages(Gas/Flow)	Port Size	Pipe Size	Signal Circuits(2A)	Length L(mm)
3012006-06	12	G1/8"	6~8mm	6	14
3012006-12	12	G1/8"	6~8mm	12	21
3012006-24S	12	G1/8"	6~8mm	24	35
3012006-36S	12	G1/8"	6~8mm	36	52.3
3012006-56S	12	G1/8"	6~8mm	56	82

3012006-X3AX4S 12 Passage(6~8mm pipe)+electrical power/signal(5A, 10A option)



Standard Model List

Model	Passages	Port Size	Pipe Size	Circuits		Length L(mm)
				Power(10A)	Signal(2A)	
3012006-06S	12	G1/8"	6~8mm	0	6	38
3012006-0610	12	G1/8"	6~8mm	6	0	38
3012006-12S	12	G1/8"	6~8mm	0	12	55
3012006-0610-06S	12	G1/8"	6~8mm	6	6	55
3012006-1210	12	G1/8"	6~8mm	12	0	55
3012006-0610-12S	12	G1/8"	6~8mm	6	12	71.5
3012006-1210-06S	12	G1/8"	6~8mm	12	6	71.5
3012006-18S	12	G1/8"	6~8mm	0	18	71.5
3012006-1810	12	G1/8"	6~8mm	18	0	71.5
3012006-0610-18S	12	G1/8"	6~8mm	6	18	88.5
3012006-24S	12	G1/8"	6~8mm	0	24	88.5
3012006-30S	12	G1/8"	6~8mm	0	30	106
3012006-36S	12	G1/8"	6~8mm	0	36	125

Technical Specification

Rotary Union Specification			
Passages	12 Passage	Max. Pressure	1Mpa, Vacuum -1.5kPa
Pipe size	6~8mm Pipe(G1/8")	torque	<1.2N.m
Mechanical parameters		Electrical parameters	
Spec.	Data	Spec.	Data
Working Life	20millions for ref (depends on working conditions)	Voltage Range	Power
			Signal
Max. Speed	250RPM continously, 1000RPM intermittently	Insulation Resistance	0~440VAC/VDC
			0~440VAC/VDC
Working Temp.	-30°C~80°C	Lead Wire Spec.	AWG17# Silver-plated teflon wire
			AWG22# Silver-plated teflon wire
Work Humidity	0~85% RH	Lead Wire Length	standard 25 0mm(can be customized)
Contact Material	precious metal	Insulation Resistance	500VAC@50Hz,6s
Housing Material	aluminum alloy	Electrical Noise	<0.01Ω
IP Grade	IP51		

3002012 Series 2 Passages Pneumatic & Hydraulic Rotary Unions

2 Passage(G3/8" port, 10~12mm pipes)+Electrical(Power/Signal)

support G3/8" port for 10~12mm pipes, can transfer various mediums including compressed air, steam, vacuum, negative pressure, positive pressure, cooling water, hot oil, etc when 360° rotating, it also can combine to transmit electrical power and signal.



Part No. Description

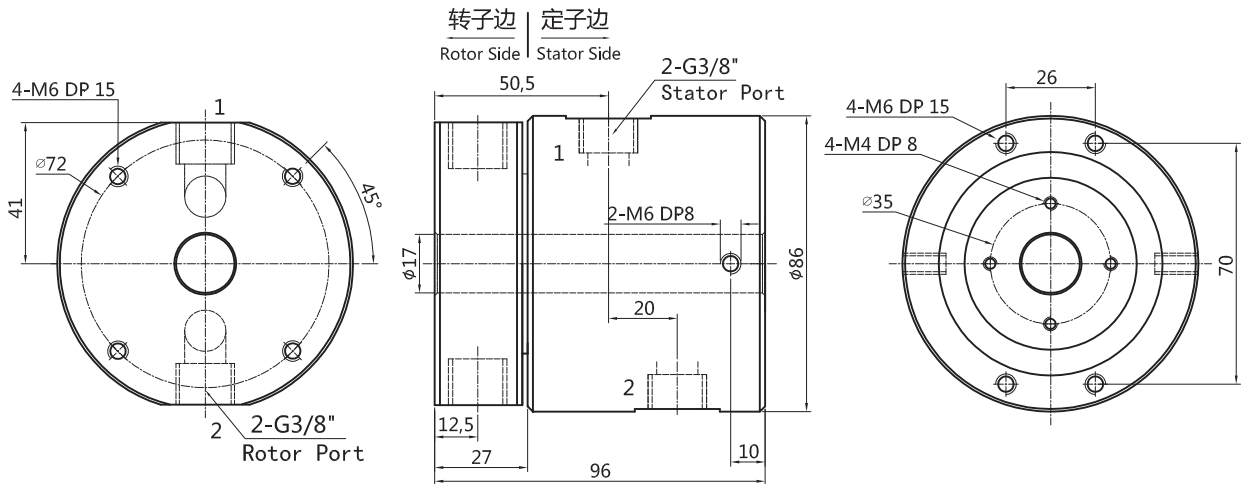
3002012 - Power Circuits - Signal Circuits

2 Passage Rotary Unions
G3/8" port, 10~12mm pipes

For example:
0610:6 circuits@10A 1230:12 circuits@30A

For example:
06S:6 circuits signal@2A
12S:12 circuits signal@2A

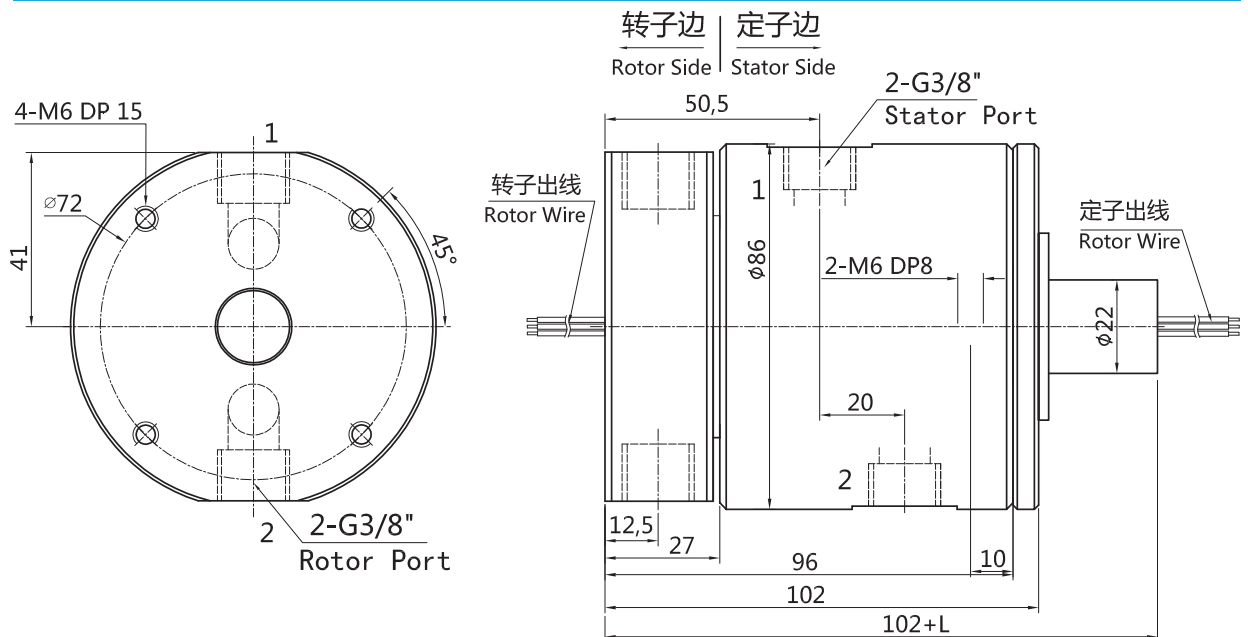
3002012 (Rotary Union Only) Drawing, 2 Passage(10~12mm pipe)



Standard Model List

Model	Passages(Gas/Flow)	Port Size	Pipe Size
3002012	2	G3/8"	10~12mm

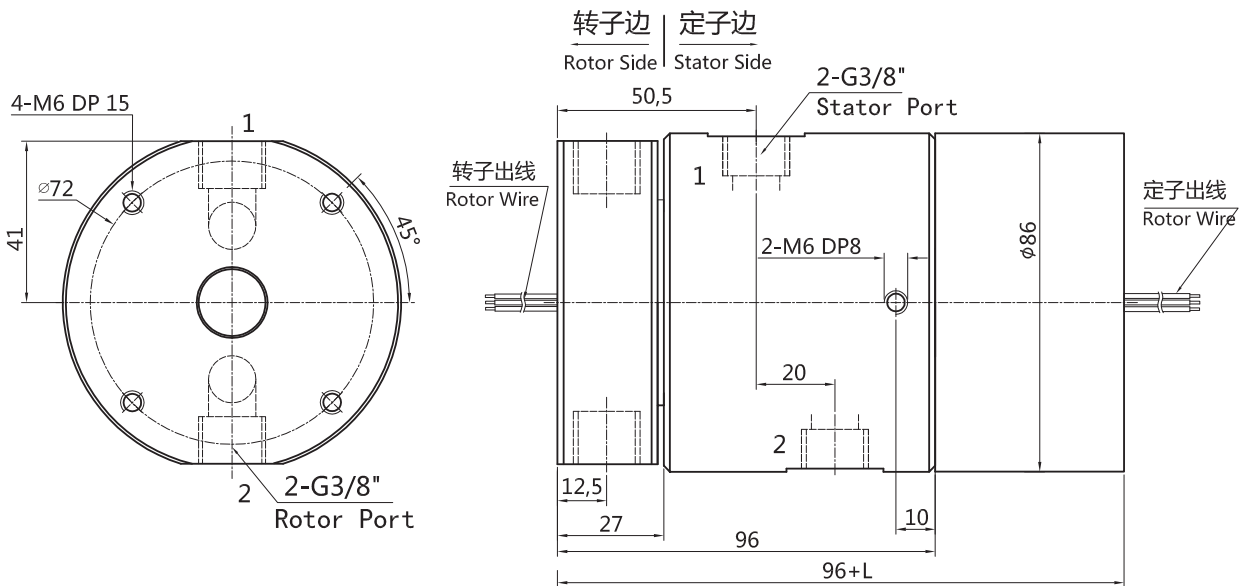
3002012-X4S 2 Passage(10~12mm pipe)
+6~56 circuits electrical signal@2A(Suitable for Solenoid valve or Sensor switch Signals)



Standard Model List

Model	Passages(Gas/Flow)	Port Size	Pipe Size	Signal Circuits(2A)	Length L(mm)
3002012-06	2	G3/8"	10~12mm	6	14
3002012-12	2	G3/8"	10~12mm	12	21
3002012-24S	2	G3/8"	10~12mm	24	35
3002012-36S	2	G3/8"	10~12mm	36	52.3
3002012-56S	2	G3/8"	10~12mm	56	82

3002012-X3AX4S 2 Passage(10~12mm pipe)+electrical power/signal(5A,10A option)



Standard Model List

Model	Passages	Port Size	Pipe Size	Circuits		Length L(mm)
				Power(10A)	Signal(2A)	
3002012-06S	2	G3/8"	10~12mm	0	6	48
3002012-0610	2	G3/8"	10~12mm	6	0	48
3002012-12S	2	G3/8"	10~12mm	0	12	72
3002012-0610-06S	2	G3/8"	10~12mm	6	6	72
3002012-1210	2	G3/8"	10~12mm	12	0	72
3002012-0610-12S	2	G3/8"	10~12mm	6	12	96
3002012-1210-06S	2	G3/8"	10~12mm	12	6	96
3002012-18S	2	G3/8"	10~12mm	0	18	96
3002012-1810	2	G3/8"	10~12mm	18	0	96
3002012-0610-18S	2	G3/8"	10~12mm	6	18	120
3002012-24S	2	G3/8"	10~12mm	0	24	120
3002012-2410	2	G3/8"	10~12mm	24	0	120
3002012-36S	2	G3/8"	10~12mm	0	36	168
3002012-1210-24S	2	G3/8"	10~12mm	12	24	168
3002012-3610	2	G3/8"	10~12mm	36	0	168
3002012-48S	2	G3/8"	10~12mm	0	48	216
3002012-1210-36S	2	G3/8"	10~12mm	12	36	216
3002012-4810	2	G3/8"	10~12mm	48	0	216
3002012-60S	2	G3/8"	10~12mm	0	60	264
3002012-1210-48S	2	G3/8"	10~12mm	12	48	264
3002012-72S	2	G3/8"	10~12mm	0	72	312

Model	Passages	Port Size	Pipe Size	Circuits		Length L(mm)
				Power(10A)	Signal(2A)	
3002012-2410-48S	2	G3/8"	10~12mm	24	48	312
3002012-84S	2	G3/8"	10~12mm	0	84	360
3002012-2410-60S	2	G3/8"	10~12mm	20	60	360
3002012-96S	2	G3/8"	10~12mm	0	96	408
3002012-108S	2	G3/8"	10~12mm	0	108	456
3002012-120S	2	G3/8"	10~12mm	0	120	504

Technical Specification

Rotary Union Specification				
Passages	2 Passage	Max. Pressure	1Mpa, Vacuum -1.5kPa	
Pipe size	10~12mm Pipe(G3/8")	torque	<0.2N.m	
Mechanical parameters		Electrical parameters		
Spec.	Data	Spec.	Data	
Working Life	20millions for ref (depends on working conditions)		Power	Signal
		Voltage Range	0~440VAC/VDC	0~440VAC/VDC
Max. Speed	250RPM continuously, 1000RPM intermittently	Insulation Resistance	<500MΩ/300VDC	<500MΩ/300VDC
Working Temp.	-30°C~80°C	Lead Wire Spec.	AWG17# Silver-plated teflon wire	AWG22# Silver-plated teflon wire
Work Humidity	0~85% RH	Lead Wire Length	standard 250mm(can be customized)	
Contact Material	precious metal	Insulation Resistance	500VAC@50Hz,6s	
Housing Material	aluminum alloy	Electrical Noise	<0.01Ω	
IP Grade	IP51			

Color Code of Lead Wire

ring #	1	2	3	4	5	6	7	8	9	10	11	12
color	BLK	BRN	RED	ORG	YEL	GRN	BLU	PUR	GRY	WHT	PINK	LGT BLU

4 Passages Pneumatic & Hydraulic Rotary Unions

4 Passage(G3/8" port, 10~12mm pipes)+Electrical(Power/Signal)

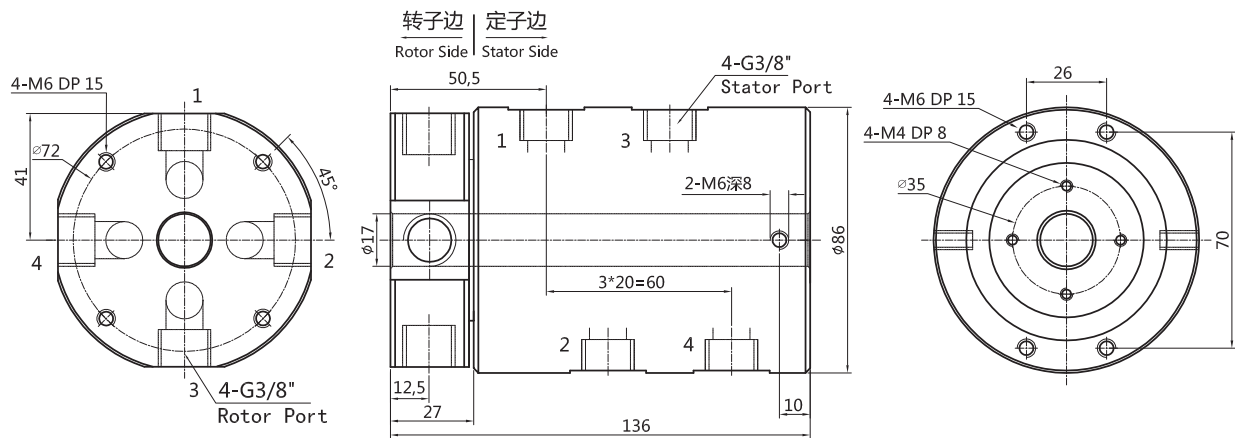
support G3/8" port for 10~12mm pipes, can transfer various mediums including compressed air, steam, vacuum, negative pressure, positive pressure, cooling water, hot oil, etc when 360° rotating, it also can combine to transmit electrical power and signal.



Part No. Description

3004012 - Power Circuits - Signal Circuits	
4 Passage Rotary Unions G3/8" port, 10~12mm pipes	
For example: 0610:6 circuits@10A 1230:12 circuits@30A	For example: 06S:6 circuits signal@2A 12S:12 circuits signal@2A

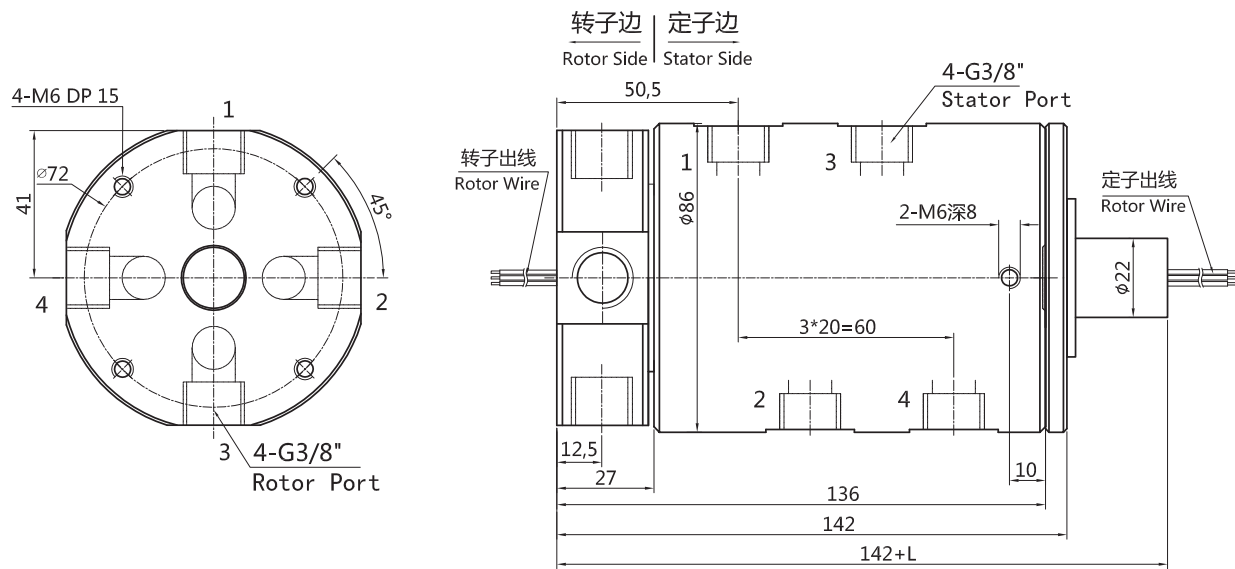
3004012 (Rotary Union Only) Drawing, 4 Passage(10~12mm pipe)



Standard Model List

Model	Passages(Gas/Flow)	Port Size	Pipe Size
3004012	4	G3/8"	10~12mm

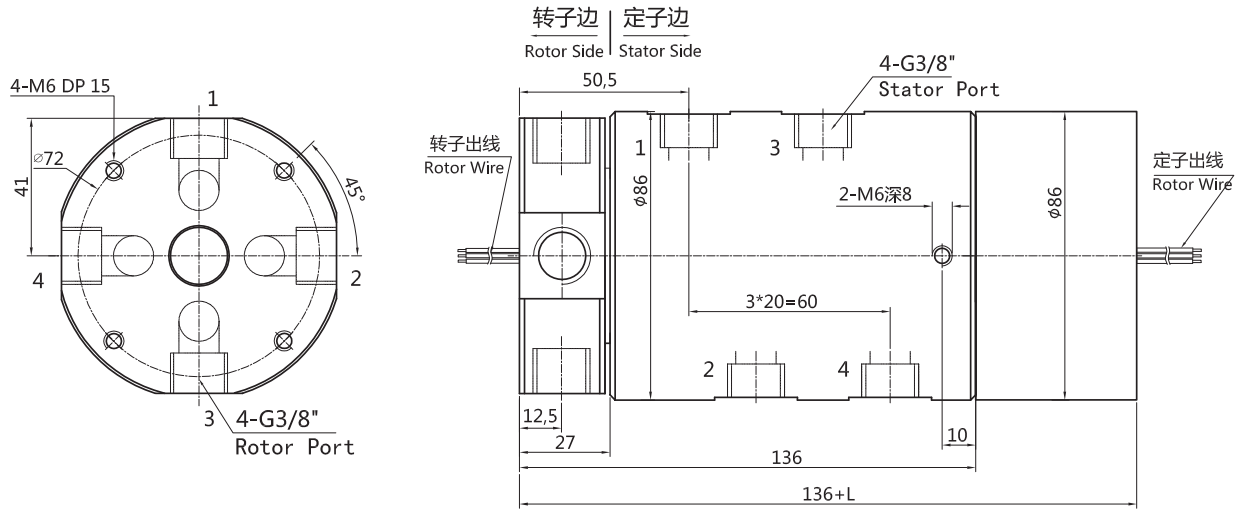
3004012-X3AX4S 4 Passage(10~12mm pipe)+electrical power/signal(5A, 10A option)



Standard Model List

Model	Passages(Gas/Flow)	Port Size	Pipe Size	Signal Circuits(2A)	Length L(mm)
3004012-06	4	G3/8"	10~12mm	6	14
3004012-12	4	G3/8"	10~12mm	12	21
3004012-24S	4	G3/8"	10~12mm	24	35
3004012-36S	4	G3/8"	10~12mm	36	52.3
3004012-56S	4	G3/8"	10~12mm	56	82

3004012-X3AX4S 4 Passage(10~12mm pipe)+electrical power/signal(5A, 10A option)



Standard Model List

Model	Passages	Port Size	Pipe Size	Circuits		Length L(mm)
				Power(10A)	Signal(2A)	
3004012-06S	4	G3/8"	10~12mm	0	6	48
3004012-0610	4	G3/8"	10~12mm	6	0	48
3004012-12S	4	G3/8"	10~12mm	0	12	72
3004012-0610-06S	4	G3/8"	10~12mm	6	6	72
3004012-1210	4	G3/8"	10~12mm	12	0	72
3004012-0610-12S	4	G3/8"	10~12mm	6	12	96
3004012-1210-06S	4	G3/8"	10~12mm	12	6	96
3004012-18S	4	G3/8"	10~12mm	0	18	96
3004012-1810	4	G3/8"	10~12mm	18	0	96
3004012-0610-18S	4	G3/8"	10~12mm	6	18	120
3004012-24S	4	G3/8"	10~12mm	0	24	120
3004012-2410	4	G3/8"	10~12mm	24	0	120
3004012-36S	4	G3/8"	10~12mm	0	36	168
3004012-1210-24S	4	G3/8"	10~12mm	12	24	168
3004012-3610	4	G3/8"	10~12mm	36	0	168
3004012-48S	4	G3/8"	10~12mm	0	48	216
3004012-1210-36S	4	G3/8"	10~12mm	12	36	216
3004012-4810	4	G3/8"	10~12mm	48	0	216
3004012-60S	4	G3/8"	10~12mm	0	60	264
3004012-1210-48S	4	G3/8"	10~12mm	12	48	264
3004012-72S	4	G3/8"	10~12mm	0	72	312
3004012-2410-48S	4	G3/8"	10~12mm	24	48	312

Model	Passages	Port Size	Pipe Size	Circuits		Length L(mm)
				Power(10A)	Signal(2A)	
3004012-84S	4	G3/8"	10~12mm	0	84	360
3004012-2410-60S	4	G3/8"	10~12mm	20	60	360
3004012-96S	4	G3/8"	10~12mm	0	96	408
3004012-108S	4	G3/8"	10~12mm	0	108	456
3004012-120S	4	G3/8"	10~12mm	0	120	504

Technical Specification

Rotary Union Specification					
Passages	4 Passage	Max. Pressure	1Mpa, Vacuum -1.5kPa		
Pipe size	10~12mm Pipe(G3/8")	torque	<0.4N.m		
Mechanical parameters			Electrical parameters		
Spec.	Data	Spec.	Data		
Working Life	20millions for ref (depends on working conditions)	Voltage Range	0~440VAC/VDC	0~440VAC/VDC	
		Insulation Resistance	<500MΩ/300VDC	<500MΩ/300VDC	
Max. Speed	250RPM continously, 1000RPM intermittently	Lead Wire Spec.	AWG17# Silver-plated teflon wire	AWG22# Silver-plated teflon wire	
		Lead Wire Length	standard 250mm(can be customized)		
Working Temp.	-30°C~80°C	Insulation Resistance	500VAC@50Hz,6s		
Work Humidity	0~85% RH	Electrical Noise	<0.01Ω		
Contact Material	precious metal	IP Grade	IP51		
Housing Material	aluminum alloy				

Color Code of Lead Wire

ring #	1	2	3	4	5	6	7	8	9	10	11	12
color	BLK	BRN	RED	ORG	YEL	GRN	BLU	PUR	GRY	WHT	PINK	LGT BLU

3008012 Series 8 Passages Pneumatic & Hydraulic Rotary Unions

8 Passage(G3/8" port, 10~12mm pipes)+Electrical(Power/Signal)

support G3/8" port for 10~12mm pipes, can transfer various mediums including compressed air, steam, vacuum, negative pressure, positive pressure, cooling water, hot oil, etc when 360° rotating, it also can combine to transmit electrical power and signal.



Part No. Description

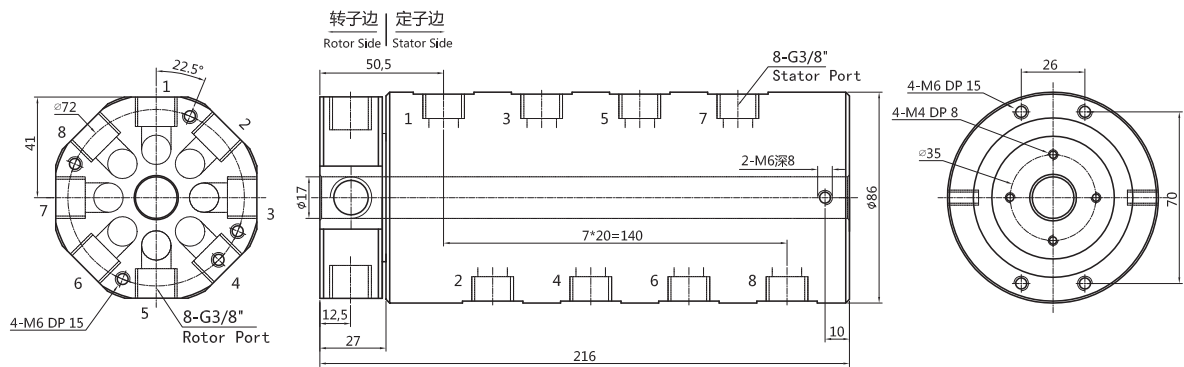
8 Passage Rotary Unions
G3/8" port, 12mm pipes

For example:
0610:6 circuits@10A 1230:12 circuits@30A

3008012 - Power Circuits - Signal Circuits

For example:
06S:6 circuits signal@2A
12S:12 circuits signal@2A

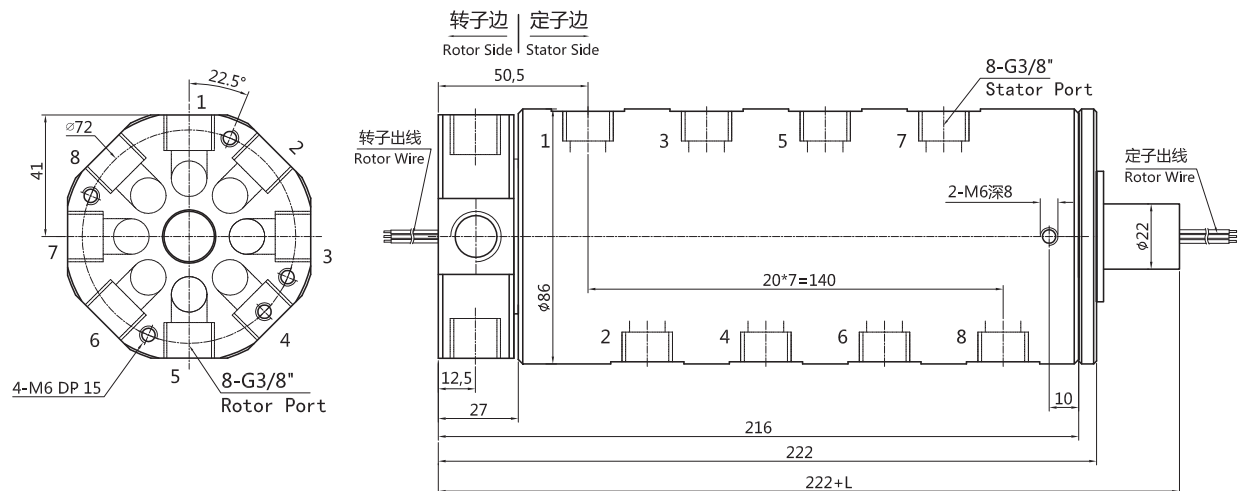
3008012 (Rotary Union Only) Drawing, 8 Passage(10~12mm pipe)



Standard Model List

Model	Passages(Gas/Flow)	Port Size	Pipe Size
3008012	8	G3/8"	10~12mm

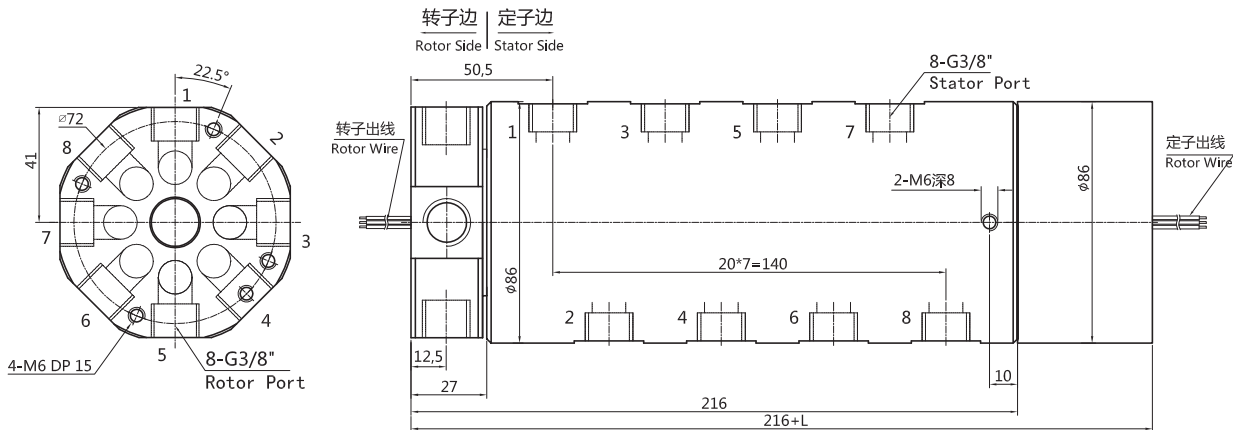
3008012-X4S 8 Passage(10~12mm pipe)
+6~56 circuits electrical signal@2A (Suitable for Solenoid valve or Sensor switch Signals)



Standard Model List

Model	Passages(Gas/Flow)	Port Size	Pipe Size	Signal Circuits(2A)	Length L(mm)
3008012-06	8	G3/8"	10~12mm	6	14
3008012-12	8	G3/8"	10~12mm	12	21
3008012-24S	8	G3/8"	10~12mm	24	35
3008012-36S	8	G3/8"	10~12mm	36	52.3
3008012-56S	8	G3/8"	10~12mm	56	82

3008012 (Rotary Union Only) Drawing,8 Passage(10~12mm pipe)



Standard Model List

Model	Passages	Port Size	Pipe Size	Circuits		Length L(mm)
				Power(10A)	Signal(2A)	
3008012-06S	8	G3/8"	10~12mm	0	6	48
3008012-0610	8	G3/8"	10~12mm	6	0	48
3008012-12S	8	G3/8"	10~12mm	0	12	72
3008012-0610-06S	8	G3/8"	10~12mm	6	6	72
3008012-1210	8	G3/8"	10~12mm	12	0	72
3008012-0610-12S	8	G3/8"	10~12mm	6	12	96
3008012-1210-06S	8	G3/8"	10~12mm	12	6	96
3008012-18S	8	G3/8"	10~12mm	0	18	96
3008012-1810	8	G3/8"	10~12mm	18	0	96
3008012-0610-18S	8	G3/8"	10~12mm	6	18	120
3008012-24S	8	G3/8"	10~12mm	0	24	120
3008012-2410	8	G3/8"	10~12mm	24	0	120
3008012-36S	8	G3/8"	10~12mm	0	36	168
3008012-1210-24S	8	G3/8"	10~12mm	12	24	168
3008012-3610	8	G3/8"	10~12mm	36	0	168
3008012-48S	8	G3/8"	10~12mm	0	48	216
3008012-1210-36S	8	G3/8"	10~12mm	12	36	216
3008012-4810	8	G3/8"	10~12mm	48	0	216
3008012-60S	8	G3/8"	10~12mm	0	60	264
3008012-1210-48S	8	G3/8"	10~12mm	12	48	264
3008012-72S	8	G3/8"	10~12mm	0	72	312
3008012-2410-48S	8	G3/8"	10~12mm	24	48	312
3008012-84S	8	G3/8"	10~12mm	0	84	360
3008012-2410-60S	8	G3/8"	10~12mm	20	60	360

Model	Passages	Port Size	Pipe Size	Circuits		Length L(mm)
				Power(10A)	Signal(2A)	
3008012-96S	8	G3/8"	10~12mm	0	96	408
3008012-108S	8	G3/8"	10~12mm	0	108	456
3008012-120S	8	G3/8"	10~12mm	0	120	504

Technical Specification

Rotary Union Specification			
Passages	8 Passage	Max. Pressure	1Mpa, Vacuum -1.5kPa
Pipe size	10~12mm Pipe(G3/8")	torque	<0.8N.m
Mechanical parameters		Electrical parameters	
Spec.	Data	Spec.	Data
Working Life	20millions for ref (depends on working conditions)		Power
Max. Speed	250RPM continuously, 1000RPM intermittently	Voltage Range	0~440VAC/VDC
		Insulation Resistance	<500MΩ/300VDC
Working Temp.	-30°C~80°C	Lead Wire Spec.	AWG17# Silver-plated teflon wire
Work Humidity	0~85% RH	Lead Wire Length	standard 250mm(can be customized)
Contact Material	precious metal	Insulation Resistance	500VAC@50Hz,6s
Housing Material	aluminum alloy	Electrical Noise	<0.01Ω
IP Grade	IP51		

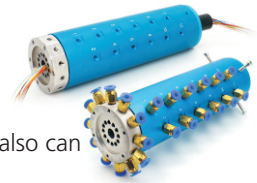
Color Code of Lead Wire

ring #	1	2	3	4	5	6	7	8	9	10	11	12
color	BLK	BRN	RED	ORG	YEL	GRN	BLU	PUR	GRY	WHT	PINK	LGT BLU

3012012 Series 12 Passages Pneumatic & Hydraulic Rotary Unions

12 Passage(G3/8" port, 10~12mm pipes)+Electrical(Power/Signal)

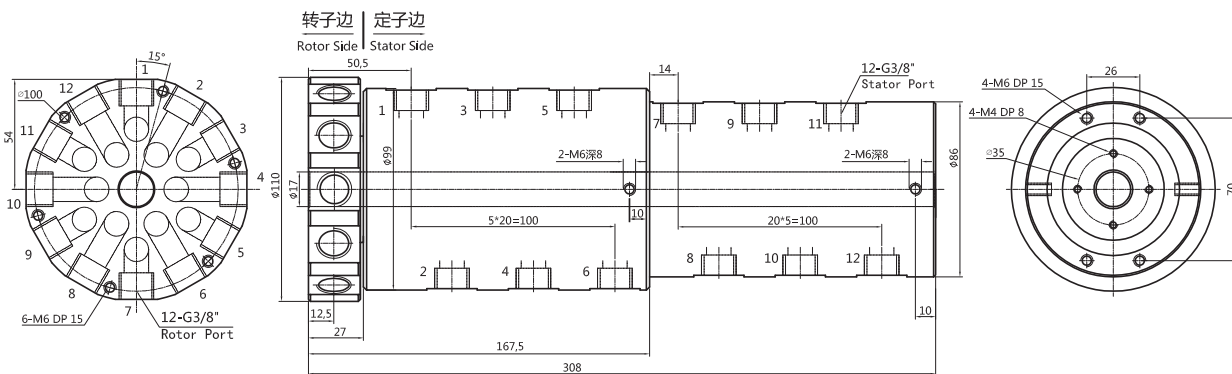
support G3/8" port for 10~12mm pipes, can transfer various mediums including compressed air, steam, vacuum, negative pressure, positive pressure, cooling water, hot oil, etc when 360° rotating, it also can combine to transmit electrical power and signal.



Part No. Description

3012012 - Power Circuits - Signal Circuits	
12 Passage Rotary Unions G3/8" port, 12mm pipes	For example: 06S:6 circuits signal@2A 12S:12 circuits signal@2A
For example: 0610:6 circuits@10A 1230:12 circuits@30A	

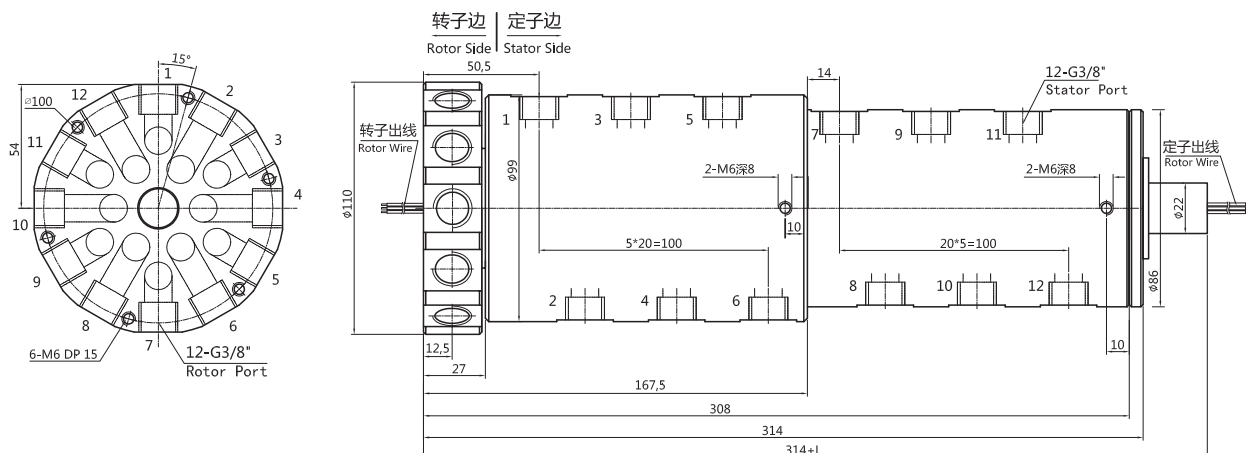
3012012 (Rotary Union Only) Drawing, 12 Passage(10~12mm pipe)



Standard Model List

Model	Passages(Gas/Flow)	Port Size	Pipe Size
3012012	12	G3/8"	10~12mm

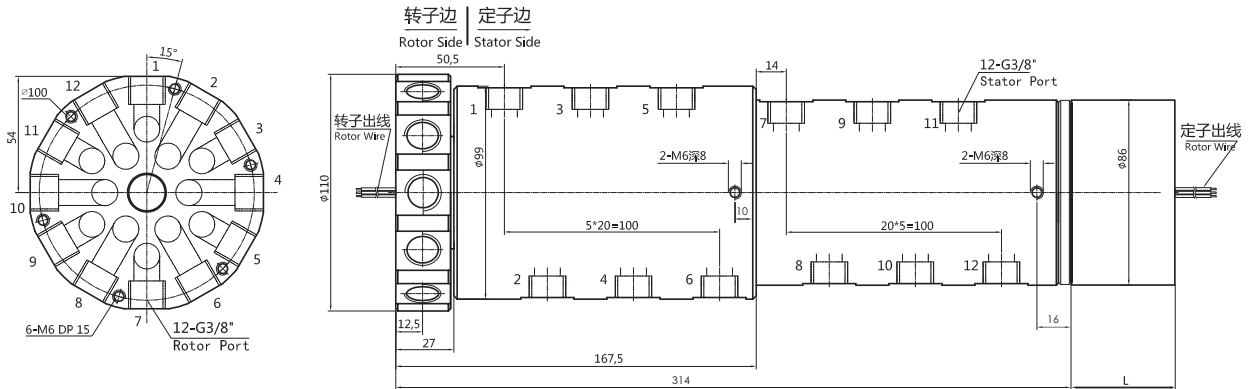
3012012-X4S 12 Passage(10~12mm pipe) +6~56 circuits electrical signal@2A (Suitable for Solenoid valve or Sensor switch Signals)



Standard Model List

Model	Passages(Gas/Flow)	Port Size	Pipe Size	Signal Circuits(2A)	Length L(mm)
3012012-06	12	G3/8"	10~12mm	6	14
3012012-12	12	G3/8"	10~12mm	12	21
3012012-24S	12	G3/8"	10~12mm	24	35
3012012-36S	12	G3/8"	10~12mm	36	52.3
3012012-56S	12	G3/8"	10~12mm	56	82

3012012-X3AX4S 12 Passage(10~12mm pipe)+electrical power/signal(5A, 10A option)



Standard Model List

Model	Passages	Port Size	Pipe Size	Circuits		Length L(mm)
				Power(10A)	Signal(2A)	
3012012-06S	12	G3/8"	10~12mm	0	6	48
3012012-0610	12	G3/8"	10~12mm	6	0	48
3012012-12S	12	G3/8"	10~12mm	0	12	72
3012012-0610-06S	12	G3/8"	10~12mm	6	6	72
3012012-1210	12	G3/8"	10~12mm	12	0	72
3012012-0610-12S	12	G3/8"	10~12mm	6	12	96
3012012-1210-06S	12	G3/8"	10~12mm	12	6	96
3012012-18S	12	G3/8"	10~12mm	0	18	96
3012012-1810	12	G3/8"	10~12mm	18	0	96
3012012-0610-18S	12	G3/8"	10~12mm	6	18	120
3012012-24S	12	G3/8"	10~12mm	0	24	120
3012012-2410	12	G3/8"	10~12mm	24	0	120
3012012-36S	12	G3/8"	10~12mm	0	36	168
3012012-1210-24S	12	G3/8"	10~12mm	12	24	168
3012012-3610	12	G3/8"	10~12mm	36	0	168
3012012-48S	12	G3/8"	10~12mm	0	48	216
3012012-1210-36S	12	G3/8"	10~12mm	12	36	216
3012012-4810	12	G3/8"	10~12mm	48	0	216
3012012-60S	12	G3/8"	10~12mm	0	60	264
3012012-1210-48S	12	G3/8"	10~12mm	12	48	264
3012012-72S	12	G3/8"	10~12mm	0	72	312
3012012-2410-48S	12	G3/8"	10~12mm	24	48	312
3012012-84S	12	G3/8"	10~12mm	0	84	360
3012012-2410-60S	12	G3/8"	10~12mm	20	60	360
3012012-96S	12	G3/8"	10~12mm	0	96	408
3012012-108S	12	G3/8"	10~12mm	0	108	456
3012012-120S	12	G3/8"	10~12mm	0	120	504

Technical Specification

Rotary Union Specification					
Passages	8 Passage	Max. Pressure	1Mpa, Vacuum -1.5kPa		
Pipe size	10~12mm Pipe(G3/8")	torque	<1.2N.m		
Mechanical parameters		Electrical parameters			
Spec.	Data	Spec.	Data		
Working Life	20millions for ref (depends on working conditions)		Power	Signal	
		Voltage Range	0~440VAC/VDC	0~440VAC/VDC	
Max. Speed	250RPM continuously, 1000RPM intermittently	Insulation Resistance	<500M Ω /300VDC	<500M Ω /300VDC	
		Lead Wire Spec.	AWG17# Silver-plated teflon wire	AWG22# Silver-plated teflon wire	
Working Temp.	-30°C~80°C	Lead Wire Length	standard 250mm(can be customized)		
Work Humidity	0~85% RH	Insulation Resistance	500VAC@50Hz,6s		
Contact Material	precious metal	Electrical Noise	<0.01 Ω		
Housing Material	aluminum alloy				
IP Grade	IP51				

Color Code of Lead Wire

ring #	1	2	3	4	5	6	7	8	9	10	11	12
color	BLK	BRN	RED	ORG	YEL	GRN	BLU	PUR	GRY	WHT	PINK	LGT BLU

3402004 Series Two Passage Hollow Shaft Rotary Unions(with center hole 20mm)



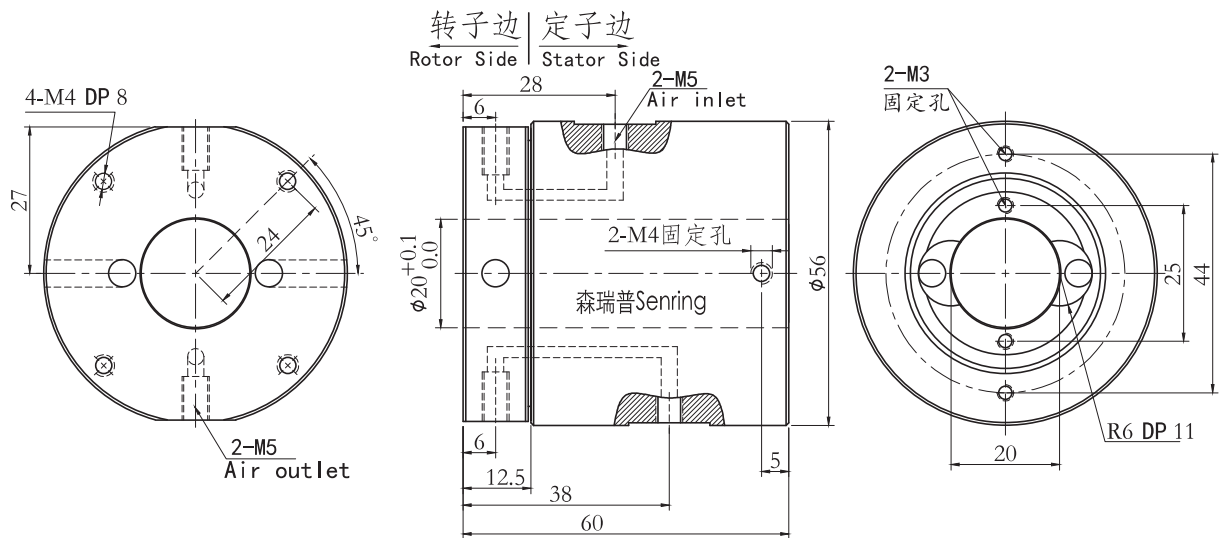
2 Passage(M5 port,4~6mm pipes)+Electrical(Power/Signal)

support M5 port for 6~8mm pipes,can transfer various mediums including compressed air,steam,vacuum,negative pressure,positive pressure,cooling water,hot oil,etc when 360° rotating , it also can combine to transmit electrical power and signal.

Part No. Description

2 Passage Rotary Unions M5 port ,4~6mm pipes with center hole 20mm	3402004 - Power Circuits - Signal Circuits		For example: 05:5A 10:10A
			For example: 06:6 circuits 12:12 circuits

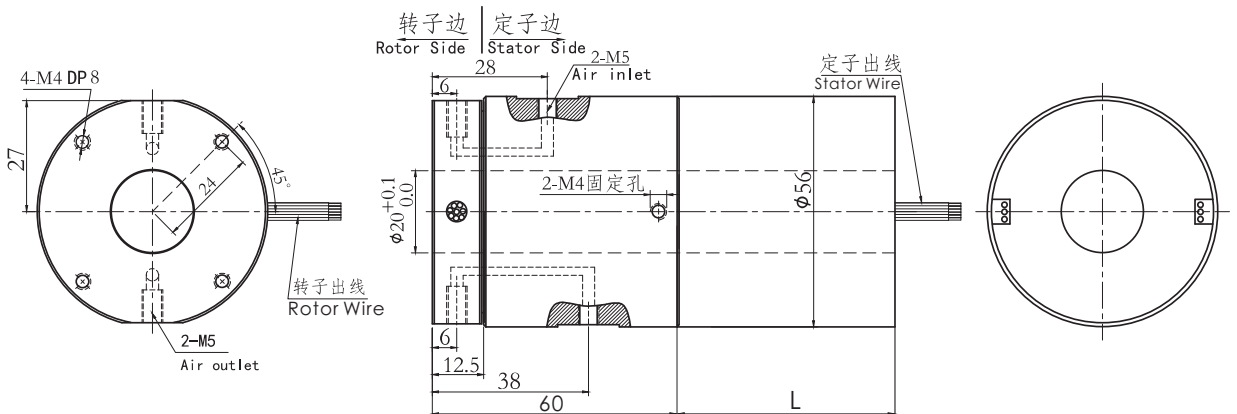
3402004 (Rotary Union Only) Drawing,2 Passage(4~6mm pipe,with center hole 20mm)



Standard Model List

Model	Passages(Gas/Flow)	Port Size	Pipe Size
3402004	2	M5	4~6mm

3402004-X3AX4S 2 Passage(4~6mm pipe,with center hole 20mm)+electrical power/signal(5A, 10A option)



Standard Model List

Model	Passages(Gas/Flow)	Port Size	Pipe Size	Signal Circuits(5A/10A)	Length L(mm)
3402004-0605	2	M5	4~6mm	6	34.5
3402004-1205	2	M5	4~6mm	12	52.5

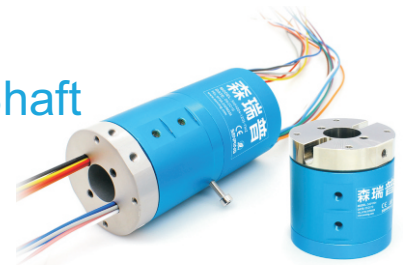
Technical Specification

Rotary Union Specification				
Passages	2 Passage(Gas/Flow)	Max. Pressure	1Mpa, Vacuum -100kPa	
Pipe size	4mm Pipe(M5)	torque	<0.2N.m	
Mechanical parameters		Electrical parameters		
Spec.	Data	Spec.	Data	
Working Life	20millions for ref (depends on working conditions)	Voltage Range	0~440VAC/VDC	0~440VAC/VDC
		Insulation Resistance	<500MΩ/300VDC	<500MΩ/300VDC
Max. Speed	250RPM continously, 1000RPM intermittently	Lead Wire Spec.	AWG17# Silver-plated teflon wire	AWG22# Silver-plated teflon wire
Working Temp.	-30°C~80°C	Lead Wire Length	standard 250mm(can be customized)	
Work Humidity	0~85% RH	Insulation Resistance	500VAC@50Hz,6s	
Contact Material	precious metal	Electrical Noise	<0.01Ω	
Housing Material	aluminum alloy			
IP Grade	IP51			

Color Code of Lead Wire

ring #	1	2	3	4	5	6	7	8	9	10	11	12
color	BLK	BRN	RED	ORG	YEL	GRN	BLU	PUR	GRY	WHT	PINK	LGT BLU

3404004 Series Two Passage Hollow Shaft Rotary Unions(with center hole 20mm)



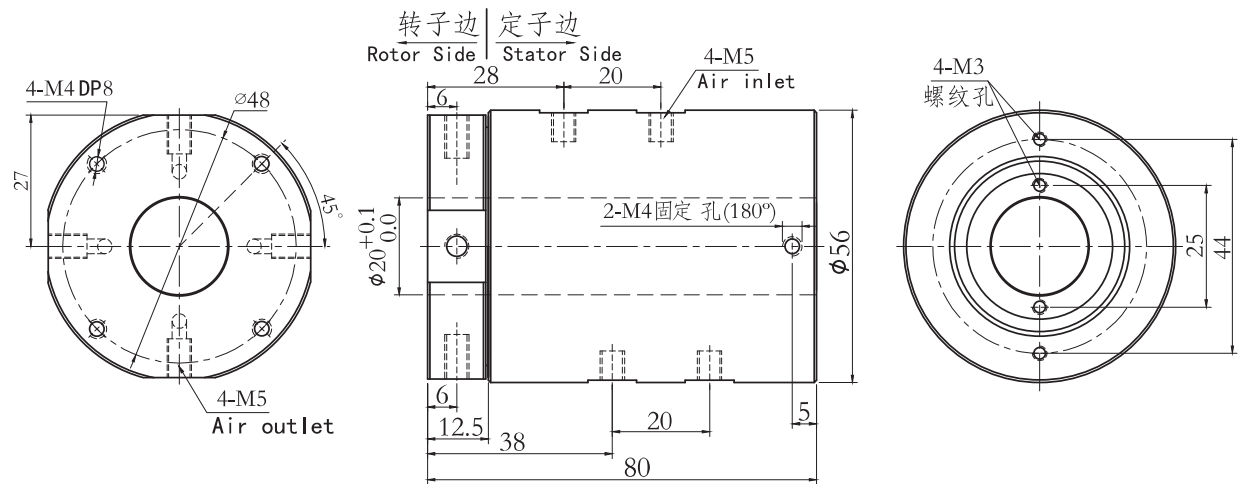
4 Passage(M5 port,4~6mm pipes)+Electrical(Power/Signal)

support M5 port for 6~8mm pipes,can transfer various mediums including compressed air,steam,vacuum,negative pressure,positive pressure,cooling water,hot oil,etc when 360° rotating , it also can combine to transmit electrical power and signal.

Part No. Description

4 Passage Rotary Unions M5 port ,4~6mm pipes with center hole 20mm	3404004 - Power Circuits - Signal Circuits		For example: 05:5A 10:10A
			For example: 06:6 circuits 12:12 circuits

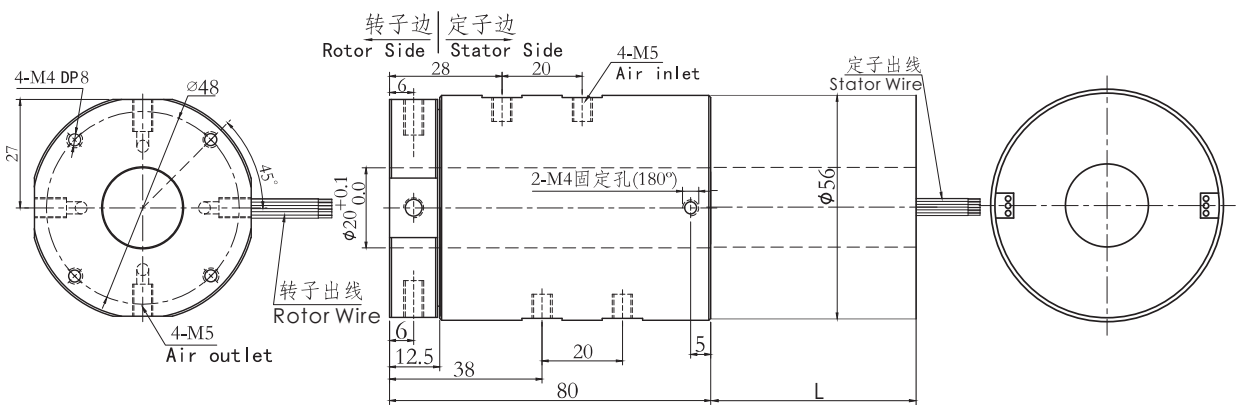
3404004 (Rotary Union Only) Drawing,4 Passage(4~6mm pipe,with center hole 20mm)



Standard Model List

Model	Passages(Gas/Flow)	Port Size	Pipe Size
3404004	4	M5	4~6mm

3404004-X3AX4S 4 Passage(4~6mm pipe,with center hole 20mm)+electrical power/signal(5A, 10A option)



Standard Model List

Model	Passages(Gas/Flow)	Port Size	Pipe Size	Signal Circuits(5A/10A)	Length L(mm)
3404004-0605	4	M5	4~6mm	6	34.5
3404004-1205	4	M5	4~6mm	12	57.5

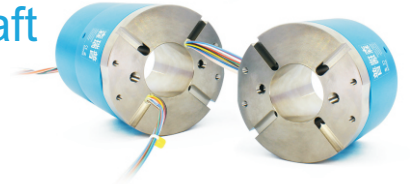
Technical Specification

Rotary Union Specification				
Passages	4 Passage(Gas/Flow)	Max. Pressure	1Mpa, Vacuum -100kPa	
Pipe size	4mm Pipe(M5)	torque	<0.4N.m	
Mechanical parameters		Electrical parameters		
Spec.	Data	Spec.	Data	
Working Life	20millions for ref (depends on working conditions)	Voltage Range	0~440VAC/VDC	0~440VAC/VDC
		Insulation Resistance	<500MΩ/300VDC	<500MΩ/300VDC
Max. Speed	250RPM continously, 1000RPM intermittently	Lead Wire Spec.	AWG17# Silver-plated teflon wire	AWG22# Silver-plated teflon wire
Working Temp.	-30°C~80°C	Lead Wire Length	standard 250mm(can be customized)	
Work Humidity	0~85% RH	Insulation Resistance	500VAC@50Hz,6s	
Contact Material	precious metal	Electrical Noise	<0.01Ω	
Housing Material	aluminum alloy			
IP Grade	IP51			

Color Code of Lead Wire

ring #	1	2	3	4	5	6	7	8	9	10	11	12
color	BLK	BRN	RED	ORG	YEL	GRN	BLU	PUR	GRY	WHT	PINK	LGT BLU

3502006 Series Two Passage Hollow Shaft Rotary Unions(with center hole 50mm)



2 Passage(G1/8" port,6~8mm pipes)+Electrical(Power/Signal)

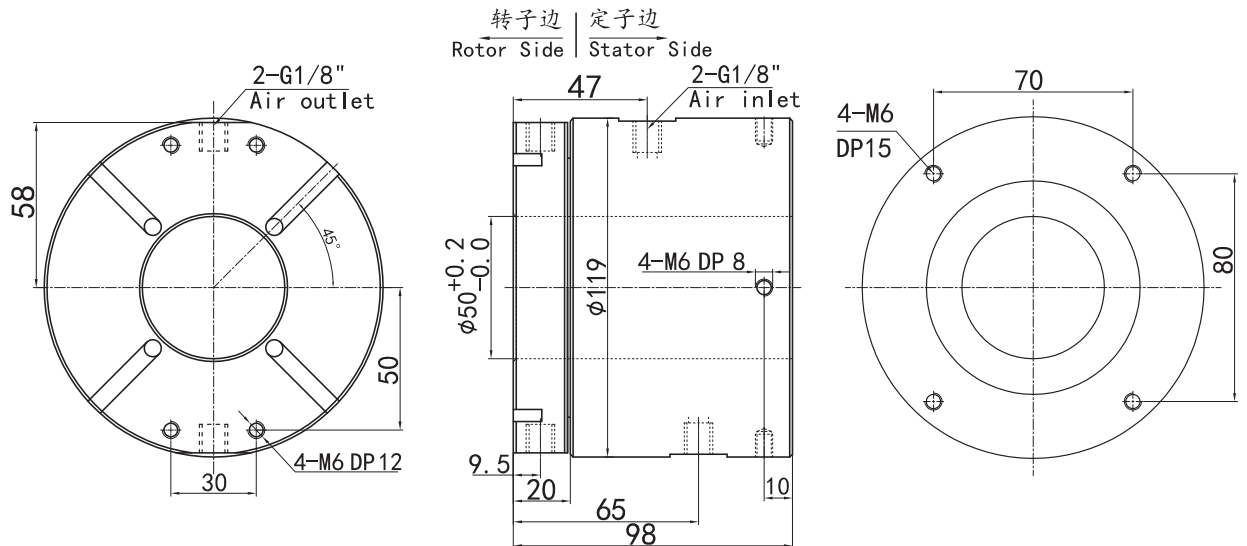
support G1/8" port for 6~8mm pipes,can transfer various mediums including compressed air,steam,vacuum,negative pressure,positive pressure,cooling water,hot oil,etc when 360° rotating , it also can combine to transmit electrical power and signal.

Part No. Description

3502006 - Power Circuits - Signal Circuits

2 Passage Rotary Unions G1/8" port ,6~8mm pipes with center hole 50mm			For example: 05:5A 10:10A
			For example: 06:6 circuits 12:12 circuits

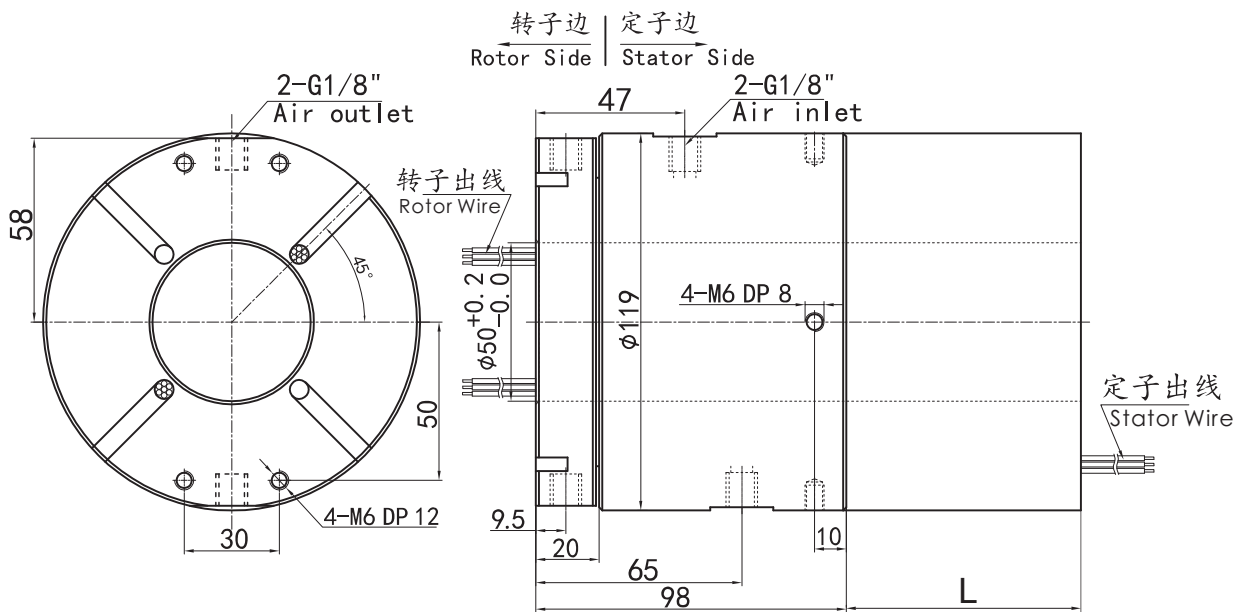
3502006 (Rotary Union Only) Drawing,2 Passage(6~8mm pipe,with center hole 50mm)



Standard Model List

Model	Passages(Gas/Flow)	Port Size	Pipe Size
3502006	2	G1/8"	6~8mm

3502006-X3AX45 2 Passage(6~8mm pipe,with center hole 50mm)+electrical power/signal(5A, 10A option)



Standard Model List

Model	Passages(Gas/Flow)	Port Size	Pipe Size	Power(10A)	Signal(0~5A)	Length L(mm)
3502006-1205	2	G1/8"	6~8mm	0	12	74
3502006-1210	2	G1/8"	6~8mm	12	0	74
3502006-1805	2	G1/8"	6~8mm	0	18	100
3502006-1810	2	G1/8"	6~8mm	18	0	100
3502006-2405	2	G1/8"	6~8mm	0	24	124
3502006-2410	2	G1/8"	6~8mm	24	0	124

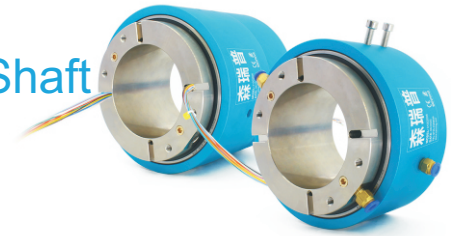
Technical Specification

Rotary Union Specification			
Passages	2 Passage(Gas/Flow)	Max. Pressure	1Mpa, Vacuum -100kPa
Pipe size	6mm Pipe(G1/8")	torque	<0.2N.m
Mechanical parameters		Electrical parameters	
Spec.	Data	Spec.	Data
Working Life	20millions for ref (depends on working conditions)	Voltage Range	Power: 0~440VAC/VDC Signal: 0~440VAC/VDC
		Insulation Resistance	<500MΩ/300VDC
Max. Speed	250RPM continously, 1000RPM intermittently	Lead Wire Spec.	AWG17# Silver-plated teflon wire AWG22# Silver-plated teflon wire
		Lead Wire Length	standard 250mm(can be customized)
Working Temp.	-30°C~80°C	Insulation Resistance	500VAC@50Hz,6s
Work Humidity	0~85% RH	Electrical Noise	<0.01Ω
Contact Material	precious metal		
Housing Material	aluminum alloy		
IP Grade	IP51		

Color Code of Lead Wire

ring #	1	2	3	4	5	6	7	8	9	10	11	12
color	BLK	BRN	RED	ORG	YEL	GRN	BLU	PUR	GRY	WHT	PINK	LGT BLU

31002006 Series Four Passage Hollow Shaft Rotary Unions(with center hole 100mm)



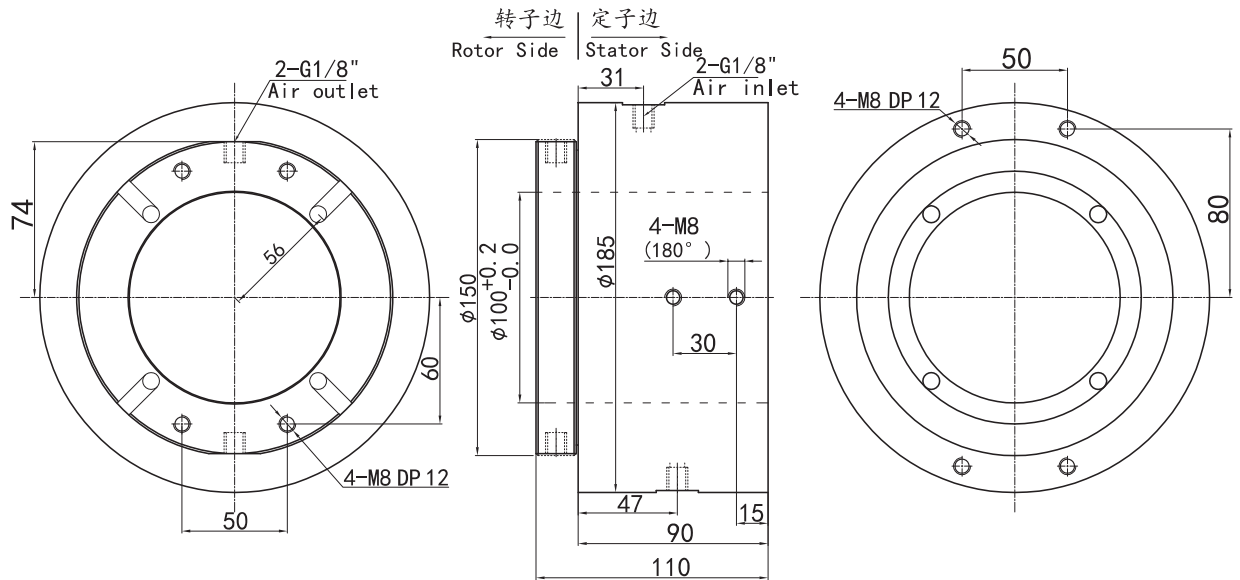
4 Passage(G1/8" port,6~8mm pipes)+Electrical(Power/Signal)

support G1/8" port for 6~8mm pipes,can transfer various mediums including compressed air,steam,vacuum,negative pressure,positive pressure,cooling water,hot oil,etc when 360° rotating , it also can combine to transmit electrical power and signal.

Part No. Description

Part No.	Description	For example:
31002006	4 Passage Rotary Unions G1/8" port ,6~8mm pipes with center hole 100mm	05:5A 10:10A 06:6 circuits 12:12 circuits

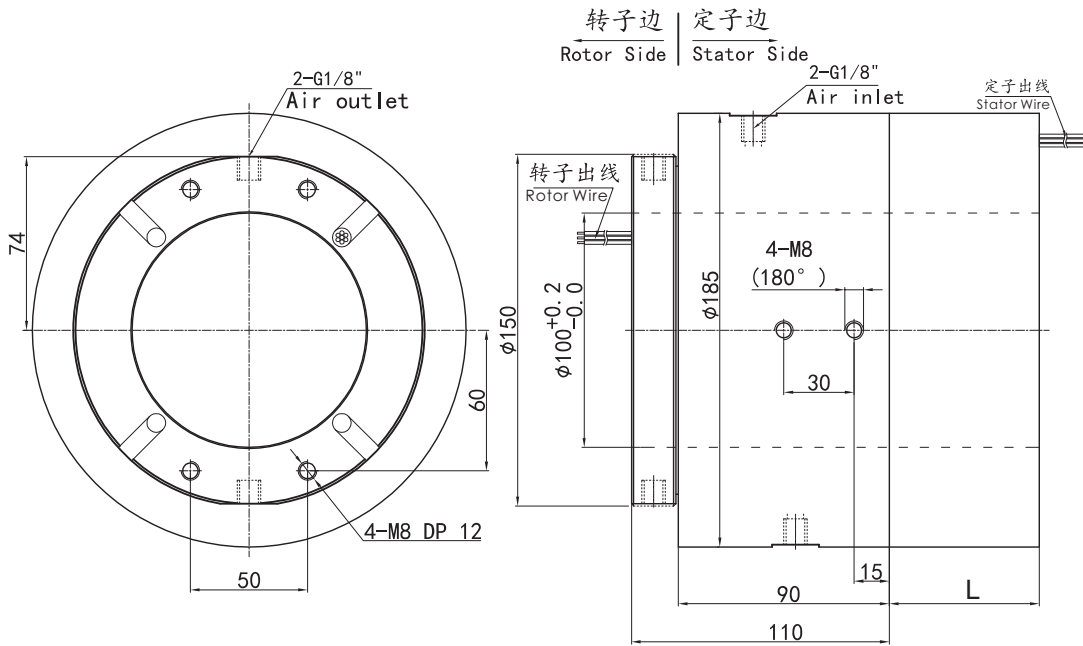
31002006 (Rotary Union Only) Drawing,4 Passage(6~8mm pipe,with center hole 100mm)



Standard Model List

Model	Passages(Gas/Flow)	Port Size	Pipe Size
31002006	4	G1/8"	6~8mm

31002006-X3AX4S 4 Passage(6~8mm pipe,with center hole 100mm)+electrical power/signal(5A, 10A option)



Standard Model List

Model	Passages(Gas/Flow)	Port Size	Pipe Size	Power(10A)	Signal(0~5A)	Length L(mm)
31002006-0605	4	G 1/8 "	6~8mm	0	6	64
31002006-0610	4	G 1/8 "	6~8mm	6	0	64
31002006-1205	4	G 1/8 "	6~8mm	0	12	88
31002006-1210	4	G 1/8 "	6~8mm	12	0	88
31002006-1805	4	G 1/8 "	6~8mm	0	18	112
31002006-1810	4	G 1/8 "	6~8mm	18	0	112
31002006-2405	4	G 1/8 "	6~8mm	0	24	136
31002006-2410	4	G 1/8 "	6~8mm	24	0	136

Technical Specification

Rotary Union Specification			
Passages	4 Passage(Gas/Flow)	Max. Pressure	1Mpa, Vacuum -100kPa
Pipe size	6mm Pipe(G 1/8 ")	torque	<0.2N.m
Mechanical parameters		Electrical parameters	
Spec.	Data	Spec.	Data
Working Life	20millions for ref (depends on working conditions)	Voltage Range	Power 0~440VAC/VDC
		Insulation Resistance	Signal 0~440VAC/VDC
Max. Speed	250RPM continously, 1000RPM intermittently	Lead Wire Spec.	<500MΩ/300VDC
		Lead Wire Length	AWG17# Silver-plated teflon wire
Working Temp.	-30°C~80°C	Insulation Resistance	AWG22# Silver-plated teflon wire
Work Humidity	0~85% RH	Electrical Noise	standard 250mm(can be customized)
Contact Material	precious metal		500VAC@50Hz,6s
Housing Material	aluminum alloy		<0.01Ω
IP Grade	IP51		

Color Code of Lead Wire

ring #	1	2	3	4	5	6	7	8	9	10	11	12
color	BLK	BRN	RED	ORG	YEL	GRN	BLU	PUR	GRY	WHT	PINK	LGT BLU