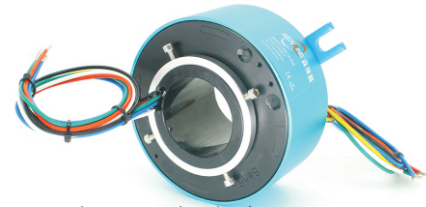


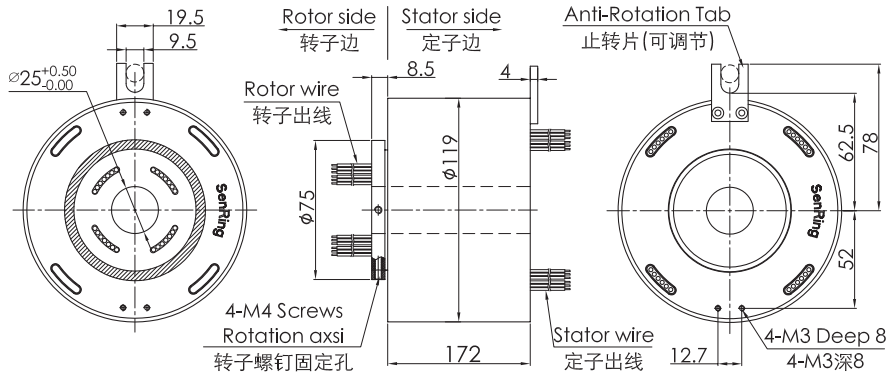
## 212004250 series High Current slip ring

4 channels, maximum current 250A per channel



SenRing 212004250 series High Current slip ring, hole size 25mm, OD 119mm, support 4 circuits (250A each) high current. If you need to combine other circuit/signal channel no., customization available based on the standard model.

### Drawing



### Technical Specification of the slip ring

Model	Circuits	Max current	voltage	Max speed	working temp.
212004250	4 circuits	250A	690V	250RPM	-40°C~+80°C

### Customization Description

212004250 - power circuits - signal circuits

212004250 series High Current slip ring  
4 circuits 250A each

Examples:

0610:6 circuits@10A  
1210:12 circuits@10A

Examples:

06S:6 circuits signal@2A(5A options)  
12S:12 circuits signal@2A(5A options)

### Examples

212004250: 4 circuits high current slip ring, 250A each;

212004250-0610-12S: Based on the customized specification of 212004250 series, 4 circuits 250A each, combined 6 circuits@10A + 12 circuits signal;

### Color Code of Lead Wire

ring #	1	2	3	4	5	6	7	8	9	10	11	12
color	BLK	BRN	RED	ORG	YEL	GRN	BLU	PUR	GRY	WHT	PINK	LGT BLU
ring#	13	14	15	16	17	18	19	20	21	22	23	24
color	WHT/BLK	WHT/BRN	WHT/RED	WHT/ORG	WHT/YEL	WHT/GRN	WHT/BLU	WHT/PUR	WHT/GRY	BLK/RED	BLK/BRN	Transparent

Remark: "1" : the first wire from rotor side, 212004250 wire color sequence: BLK/BRN/RED/ORG, 24 color wires as one group, if more than 24 wires, repeat as sequence, use number tube to tell group 1#, 2#....