

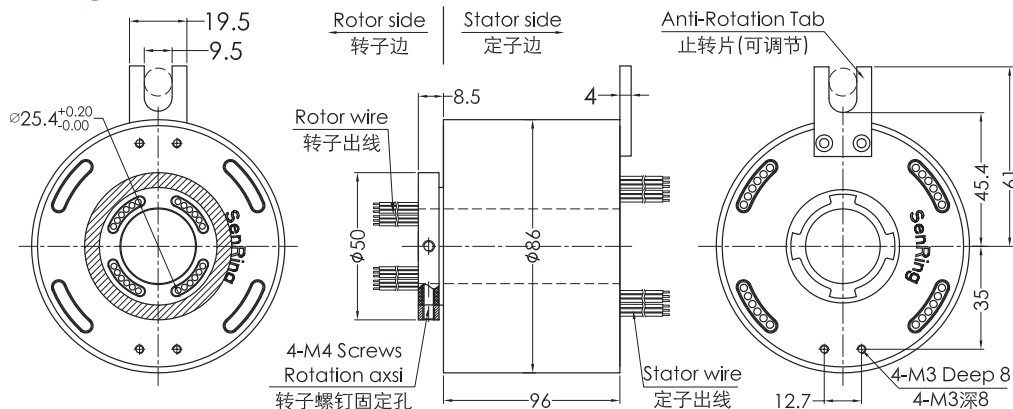
208602100 series High Current slip ring

2 channels,maximum current 100A per channel;



SenRing 208602100 series 360° rotation High Current slip ring hole size 25.4mm(Customization available,suitable for 0~25.4mm rotation axis),OD 86mm,support 2 circuits (100A each) high current.If you need to combine other circuit/signal channel no.customization available based on the standard model.Such as customized model of 208602100-1260-0410-04S,support 2 circuits 100A high current+2 circuits 30A current+4circuits 10A current+4 circuits 2A signal .

Drawing



Technical Specification of the slip ring

Circuits	Max current	voltage	Max speed	working temp.
2 circuits	100A	690V	250RPM	-40°C~+80°C

Customization Description

208602100 - power circuits - signal circuits

208602100 series High Current slip ring
2 circuits 100A each

Examples:

0610:6 circuits@10A
1210:12 circuits@10A

Examples:

06S:6 circuits signal@2A(5A options)
12S:12 circuits signal@2A(5A options)

Examples

208602100: 2 circuits high current slip ring;

208602100-0610-12S: Based on the customized specification of 208602100 series, 2 circuits 100A each, combined 6 circuits@10A + 12 circuits signal;

208602100-0230-0410-04S: Based on the customized specification of 208602100 series, 2 circuits 100A each, combined 2 circuits@30A +4 circuits 10A+4 circuits 2A signal;

Color Code of Lead Wire

ring #	1	2	3	4	5	6	7	8	9	10	11	12
color	BLK	BRN	RED	ORG	YEL	GRN	BLU	PUR	GRY	WHT	PINK	LGT BLU
ring#	13	14	15	16	17	18	19	20	21	22	23	24
color	WHT/BLK	WHT/BRN	WHT/RED	WHT/ORG	WHT/YEL	WHT/GRN	WHT/BLU	WHT/PUR	WHT/GRY	BLK/RED	BLK/BRN	Transparent

Remark: "1" : the first wire from rotor side , 208602100 wire color sequence:BLK/BRN/RED/ORG/YEL /GRN , 24 color wires as one group , if more than 24wires, repeat as sequence , use number tube to tell group 1#, 2#....